

---

*Comfort-Cire*®

**Century**®

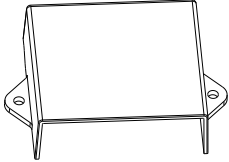
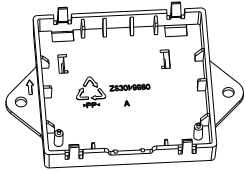
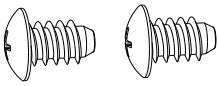
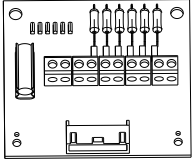
---

## **User Manual**

# **7602-806**

Thermostat Adapter

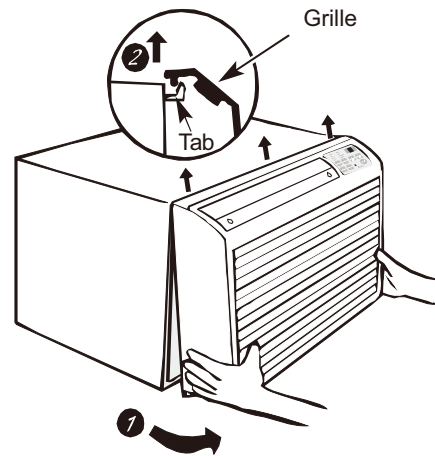
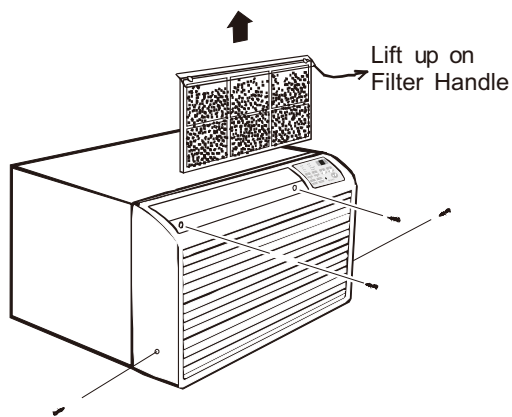
## Accessory List

Name and Code	Photo	Q'ty
Display box (Code:20111026)		1
Display cover (Code: 22241016)		1
Tapping screw ST4.2X9.5 MB (Code:70140391)		2
Connection board (Code: 300023000008)		1

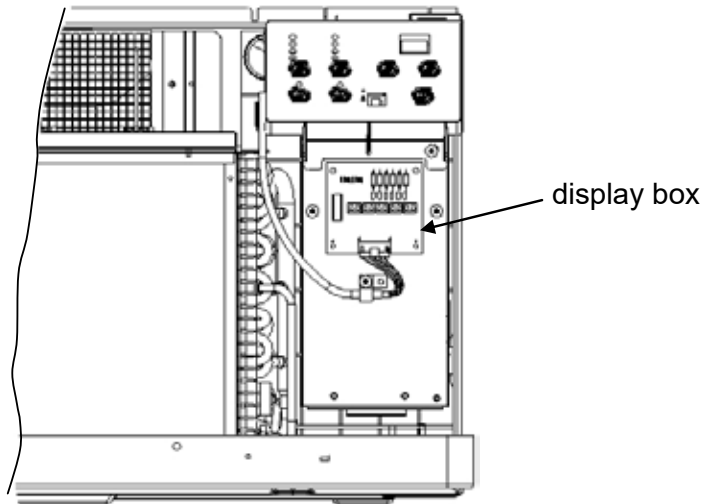
## Terminal Connections Remote Thermostat - Class 2

The controls are located under a plastic cover behind the front grille.

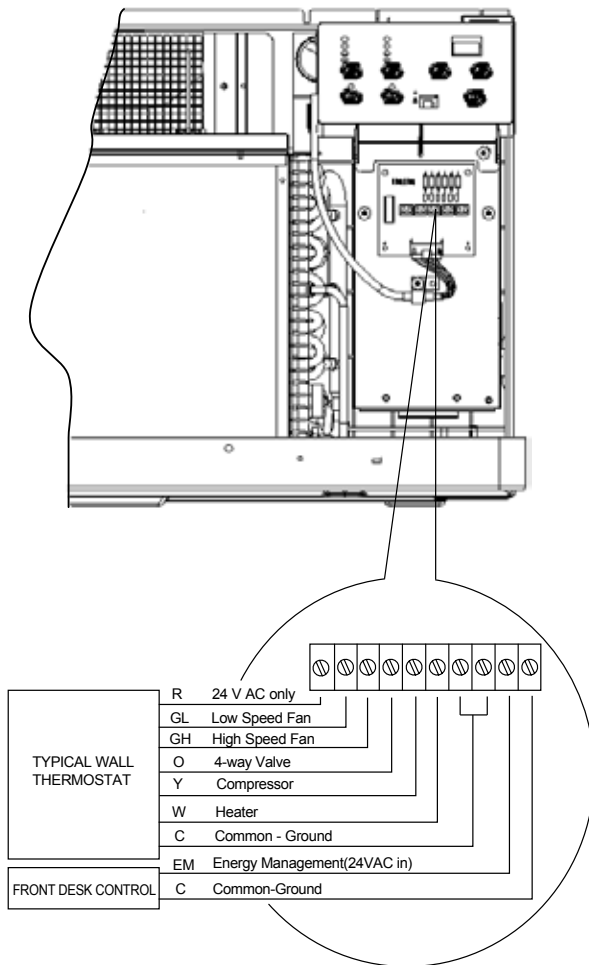
1. Remove front grille. Pull the filter out and remove the four grille screws. Pull the grille out from the bottom and lift up from the tabs on the top of the case.



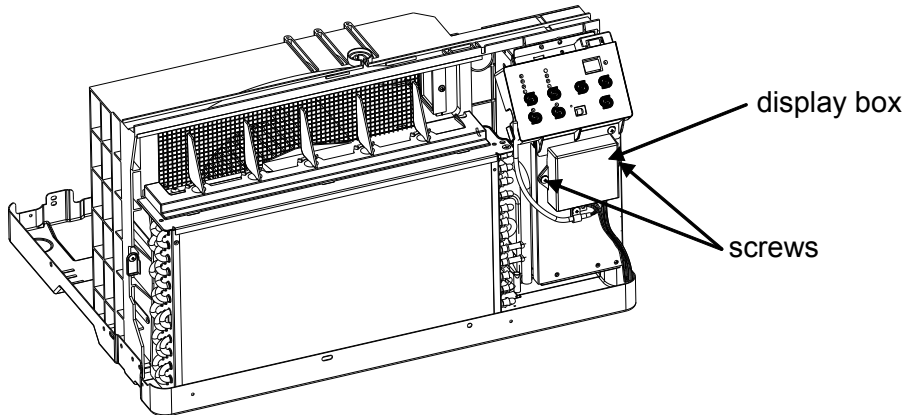
2. Set the display cover installed with connection board at the electric box cover, and then connect the board connection wires with the plug of connection board.



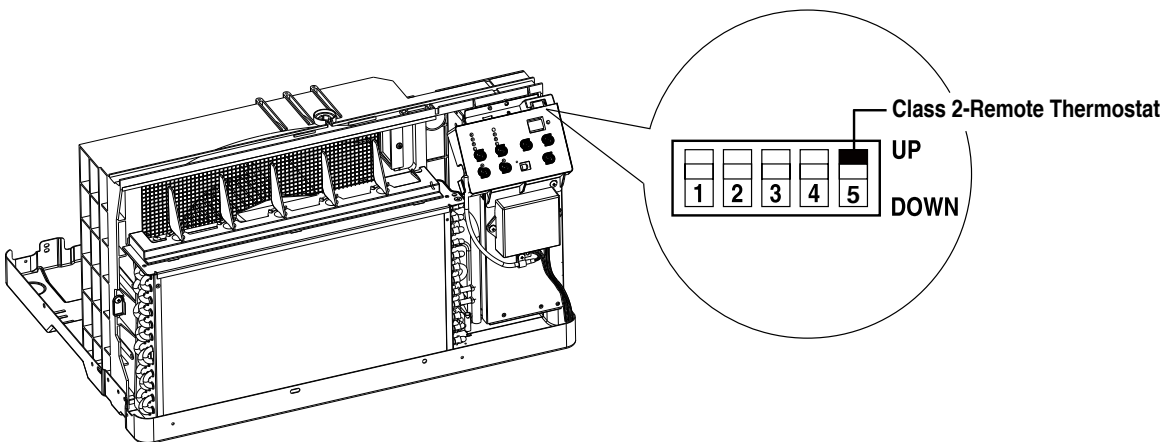
3. To make wiring connections, insert the wires into the bottom of the terminals and tighten screws securely.



4. Install the display box and then use two ST4.2X9.5 MB screws to fix it. See below figure:



NOTE: The number 5 dip switch must be in the enabled (**UP**) position to activate the remote thermostat.



### **ENERGY MANAGEMENT INPUT (FRONT DESK CONTROL).**

The controller can handle a switch signal from remote energy management input, called EM signal or front desk control. Input must be 24VAC. If system receives a 24VAC signal, it will turn unit off; otherwise, the unit runs in normal control.

#### **IMPORTANT:**

The thermostat connections provide 24 V AC only. If using a digital/electronic wall thermostat, ensure it is compatible with 24 VAC signal. See the Installation Instructions for the wall thermostat.

#### **NOTICE:**

Damage to a wall thermostat or to the electronics can result from improper connections. Special care must be used in connecting the wires. No line voltage connections should be made to any circuit. Isolate all wires in building from line voltage.

Due to ongoing product improvements, specifications and dimensions are subject to change and correction without notice or incurring obligations. Determining the application and suitability for use of any product is the responsibility of the installer. Additionally, the installer is responsible for verifying dimensional data on the actual product prior to beginning any installation preparations.

Incentive and rebate programs have precise requirements as to product performance and certification. All products meet applicable regulations in effect on date of manufacture; however, certifications are not necessarily granted for the life of a product. Therefore, it is the responsibility of the applicant to determine whether a specific model qualifies for these incentive/rebate programs.

