

**RESIDENTIAL**

MZ VERSATILE TWO-STAGE SERIES

# **INSTALLATION, OPERATION & MAINTENANCE MANUAL**

Part#: 97B0075N37 | Revised: December 22, 2025

Models: MZ 024-060

60Hz - R-454B



Models:  
MZ  
024-060

# Table of Contents

|           |  |           |                                    |
|-----------|--|-----------|------------------------------------|
| <b>3</b>  | Model Nomenclature                       | <b>48</b> | Electrical                         |
| <b>4</b>  | Attentions, Cautions, and Warnings       | <b>48</b> | Power Wiring                       |
| <b>6</b>  | General Information                      | <b>49</b> | Example Wiring Diagram             |
| <b>9</b>  | Refrigerant System Servicing             | <b>50</b> | Low-Voltage Wiring                 |
| <b>12</b> | Minimum Installation Area                | <b>53</b> | Refrigerant Detection System       |
| <b>13</b> | Physical Data                            | <b>55</b> | Thermostat Wiring                  |
| <b>14</b> | Horizontal Installation                  | <b>56</b> | DXM2.6 and Wireless Service Tool   |
| <b>15</b> | Service Access                           | <b>57</b> | CV EC Motor Limits                 |
| <b>18</b> | Duct System Installation                 | <b>58</b> | Operating and Commissioning Limits |
| <b>19</b> | Field Conversion of Air Discharge        | <b>59</b> | Unit and System Checkout           |
| <b>20</b> | Relocation of RDS After Field Conversion | <b>60</b> | Unit Startup Procedure             |
| <b>21</b> | Vertical Installation                    | <b>62</b> | Unit Operating Conditions          |
| <b>23</b> | Service Access                           | <b>66</b> | Performance Data                   |
| <b>24</b> | Piping Installation                      | <b>73</b> | Preventative Maintenance           |
| <b>25</b> | Applications                             | <b>74</b> | Troubleshooting                    |
| <b>25</b> | Variable Water Flow Heat Pump            | <b>76</b> | DXM2.6 Functional Flow Chart       |
| <b>28</b> | Ground-Loop Heat Pump                    | <b>77</b> | Functional Troubleshooting         |
| <b>30</b> | Cleaning and Flushing                    | <b>80</b> | Functional Troubleshooting Form    |
| <b>33</b> | Antifreeze Charging                      | <b>81</b> | Startup Log Sheet                  |
| <b>35</b> | Multiple-Unit Piping and Flushing        | <b>82</b> | Warranty                           |
| <b>38</b> | Ground-Water Heat Pump                   | <b>84</b> | Revision History                   |
| <b>40</b> | Water Quality Requirements               |           |                                    |
| <b>47</b> | Electrical Data CV EC Blower Motor       |           |                                    |

The manufacturer works continually to improve its products. As a result, the design and specifications of each product at the time of order may be changed without notice and may not be as described herein. Please contact our Customer Service Department at (405) 815-3000 for specific information on the current design and specifications. Statements and other information contained herein are not express warranties and do not form the basis of any bargain between the parties, but are merely the manufacturer's opinion or commendation of its products.

Models:  
MZ  
024-060

# Model Nomenclature

1 | 2 | 3 | 4 | 5 | 6 | 7 | 8 | 9 | 10 | 11 | 12 | 13 | 14 | 15  
**M** | **Z** | **L** | **0** | **2** | **4** | **A** | **G** | **D** | **R** | **0** | **R** | **0** | **V** | **S**

**MODEL**

M = R-454B Refrigerant

**MODEL TYPE**

Z = Versatile Two-Stage Series

**SUPPLY & RETURN CONFIGURATIONS**

**Horizontal Configuration**

|          | Left | Right |
|----------|------|-------|
| Straight | L    | R     |
| Back     | B    | P     |

**Vertical Configuration**

|     | Left | Right |
|-----|------|-------|
| Top | T    | K     |

**SIZE**

|     |                  |
|-----|------------------|
| 024 | 042              |
| 030 | 048              |
| 036 | 060 <sup>1</sup> |

**REVISION**

A = Current

**VOLTAGE<sup>1</sup>**

G = 208/230-1-60 J = 208/230-1-60 Refrigerant Detection System

**CONTROLS**

| Control                | Standard | Soft Start |
|------------------------|----------|------------|
| DXM2.6                 | D        | 4          |
| DXM2.6 with Disconnect | B        | -          |

**STANDARD**

S = Standard

**BLOWER MOTOR**

V = Constant Volume (CV) EC

**EXTENDED OPTIONS**

0 = Standard  
P = HWG and Pump

**DRAIN PAN/HEAT EXCHANGER OPTIONS**

R = Stainless Steel Drain Pan, Tin-Coated Air Coil

**WATER/HEAT EXCHANGER OPTIONS<sup>2</sup>**

| Water Option  | Standard | Cupro-Nickel |
|---|----------|--------------|
| None  | 0        | Z            |
| MOD Valve, Low System Pressure Drop <sup>2</sup>    | C        | -            |
| MOD Valve, High System Pressure Drop                | -        | P            |
| Internal Flow Controller High Head with Check Valve | 2        |              |
| Internal Flow Controller High Head w/o Check Valve  | H        |              |

**CABINET**

R = Residential

**NOTES:**

- MZ size 060 requires Refrigerant Detection System
- All Open-Loop Variable Water Flow Water Circuit Options require a Cupro-Nickel Heat Exchanger.

Models:  
MZ  
024-060

# Attentions, Cautions, and Warnings

## SAFETY

Warnings, cautions, and notices appear throughout this manual. Read these items carefully before attempting any installation, service, or troubleshooting of the equipment.


**DANGER:** Indicates an immediate hazardous situation, which if not avoided will result in death or serious injury. DANGER labels on unit access panels must be observed.

**WARNING:** Indicates a potentially hazardous situation, which if not avoided could result in death or serious injury.

**CAUTION:** Indicates a potentially hazardous situation or an unsafe practice, which if not avoided could result in minor or moderate injury or product or property damage.

**ATTENTION:** Notification of installation, operation, or maintenance information, which is important, but which is not hazard-related.

**⚠ WARNING**



Disconnect power supply(ies) before servicing. Refer servicing to qualified service personnel. Electric shock hazard. May result in injury or death!

**⚠ WARNING**

To avoid the release of refrigerant into the atmosphere, the refrigerant circuit of this unit must be serviced only by technicians who meet local, state, and federal proficiency requirements.

**⚠ WARNING**

The installation of water-source heat pumps and all associated components, parts, and accessories which make up the installation shall be in accordance with the regulations of ALL authorities having jurisdiction and MUST conform to all applicable codes. It is the responsibility of the installing contractor to determine and comply with ALL applicable codes and regulations.

**⚠ WARNING**

The appliance shall be stored in a room without continuously operating ignition sources (for example: open flames, an operating gas appliance or an operating electric heater).

**⚠ WARNING**

If unit connected via an air duct system to one or more rooms with R-454B is installed in a room with an area less than  $A_{min}$  or has an Effective Dispersal Volume less than minimum, that room shall be without continuously operating open flames or other POTENTIAL IGNITION SOURCES. A flame-producing device may be installed in the same space if the device is provided with an effective flame arrest.

**⚠ WARNING**

This appliance is not intended for use by persons (including children) with reduced physical, sensory, or mental capabilities, or lack of experience and knowledge, unless they have been given supervision or instruction concerning use of the appliance by a person responsible for their safety.

**⚠ WARNING**

An unventilated area where the appliance using FLAMMABLE REFRIGERANTS is installed shall be so constructed that should any refrigerant leak, it will not stagnate so as to create a fire or explosion hazard.

**⚠ WARNING**

Auxiliary devices which may be a POTENTIAL IGNITION SOURCE shall not be installed in the duct work. Examples of such POTENTIAL IGNITION SOURCES are hot surfaces with a temperature exceeding 1,292°F (700°C)

**⚠ WARNING**

An unventilated area where a water-source heat pump is installed and surpasses a R-454B refrigerant charge of 62 oz (1.76 kg), shall be without continuously operating open flames (for example an operating gas appliance) or other POTENTIAL IGNITION SOURCES (for example, an operating electric heater, hot surfaces).

**⚠ WARNING**

Only auxiliary electric heaters approved by the manufacturer shall be installed in connecting ductwork. The installation of any other auxiliary devices is beyond the manufacturer’s responsibility.

**⚠ WARNING**

For mechanical ventilation, the lower edge of the air extraction opening where air is exhausted from the room shall not be more than 3.94 inches (100 mm) above the floor. The location where the mechanical ventilation air extracted from the space is discharged shall be separated by a sufficient distance, but not less than 9.84 feet (3 m), from mechanical ventilation air intake openings, to prevent recirculation to the space.

**⚠ WARNING**

Children being supervised are NOT to play with the appliance.

**⚠ WARNING**

Do not pierce or burn.

**⚠ WARNING**

Be aware that refrigerants may not contain odor.

## Attentions, Cautions, and Warnings

### CAUTION

DO NOT store or install units in corrosive environments or in locations subject to temperature or humidity extremes (e.g., attics, garages, rooftops, etc.). Corrosive conditions and high temperature or humidity can significantly reduce performance, reliability, and service life. Always move and store units in an upright position. Tilting units on their sides will cause equipment damage.

### CAUTION

CUT HAZARD - Failure to follow this caution may result in personal injury. Sheet metal parts may have sharp edges or burrs. Use care and wear appropriate protective clothing, safety glasses and gloves when handling parts and servicing heat pumps.

### CAUTION

To avoid equipment damage, DO NOT use these units as a source of heating or cooling during the construction process. The mechanical components and filters can quickly become clogged with construction dirt and debris, which may cause system damage and void product warranty.

### CAUTION

All three phase scroll compressors must have direction of rotation verified at startup. Verification is achieved by checking compressor Amp draw. Amp draw will be substantially lower compared to nameplate values. Additionally, reverse rotation results in an elevated sound level compared to correct rotation. Reverse rotation will result in compressor internal overload trip within several minutes. Verify compressor type before proceeding.

### CAUTION

Maximum allowed inlet water temperature 150°F for HWG applications.

### ATTENTION

Servicing shall be performed only as recommended by the manufacturer.

### ATTENTION

REFRIGERANT SENSORS for REFRIGERANT DETECTION SYSTEMS shall only be replaced with sensors specified by the appliance manufacturer.

### ATTENTION

An unconditioned attic is not considered natural ventilation.

### ATTENTION

Maximum external statics must be adhered to in order to maintain minimum CFM.

### ATTENTION

This unit is equipped with electrically powered safety measures. To be effective, the unit must be electrically powered at all times after installation, other than when servicing.

### ATTENTION

For Installation Only in Locations Not Accessible to the General Public.

### ATTENTION

LEAK DETECTION SYSTEM installed. Unit must be powered except for service.

## General Information

### INSPECTION

Upon receipt of the equipment, carefully check the shipment against the bill of lading. Make sure all units have been received. Inspect the packaging of each unit, and inspect each unit for damage. Ensure that the carrier makes proper notation of any shortages or damage on all copies of the freight bill and completes a common carrier inspection report. Concealed damage not discovered during unloading must be reported to the carrier within 15 days of receipt of shipment. If not filed within 15 days, the freight company can deny the claim without recourse.

**NOTE: It is the responsibility of the purchaser to file all necessary claims with the carrier. Notify your equipment supplier of all damage within 15 days of shipment.**

### STORAGE

Equipment should be stored in its original packaging in a clean, dry area. Store units in an upright position at all times. You may stack vertical configurations a maximum of two units high and horizontal configurations a maximum of three units high.

### UNIT PROTECTION

Cover units on the job site with either the original packaging or an equivalent protective covering. Cap the open ends of pipes stored on the job site. In areas where painting, plastering, and/or spraying has not been completed, all due precautions must be taken to avoid physical damage to the units and contamination by foreign material. Physical damage and contamination may prevent proper startup and may result in costly equipment cleanup.

Examine all pipes, fittings, and valves before installing any of the system components. Remove any dirt or debris found in or on these components.

### PRE-INSTALLATION

Installation, Operation, and Maintenance instructions are provided with each unit. Horizontal equipment is designed for installation above false ceiling or in a ceiling plenum. Other unit configurations are typically installed in a mechanical room. The installation site chosen should include adequate service clearance around the unit. Before unit startup, read all manuals and become familiar with the unit and its operation. Thoroughly check the system before operation.

### PREPARE UNITS FOR INSTALLATION AS FOLLOWS

1. Compare the electrical data on the unit nameplate with ordering and shipping information to verify that the correct unit has been shipped
2. Keep the cabinet covered with the original packaging until installation is complete and all plastering, painting, etc. is finished
3. Verify refrigerant tubing is free of kinks or dents and that it does not touch other unit components
4. Inspect all electrical connections. Connections must be clean and tight at the terminals
5. Remove any blower support packaging (water-to-air units only)
6. Some airflow patterns are field convertible (horizontal units only). Locate the airflow conversion section of this IOM
7. Locate and verify any hot water generator (HWG), hanger, or other accessory kit located in the compressor section or blower section

### CHECKS TO THE AREA

Prior to beginning work on systems containing FLAMMABLE REFRIGERANTS, safety checks are necessary to ensure that the risk of ignition is minimized. For repair to the REFRIGERATING SYSTEM, these steps shall be completed prior to conducting work on the system.

## General Information

### Work Procedure

Work shall be undertaken under a controlled procedure so as to minimize the risk of a flammable gas or vapor being present while the work is being performed.

### General Work Area

All maintenance staff and others working in the local area shall be instructed on the nature of work being carried out. Work in confined spaces shall be avoided.

### Checking for Presence of Refrigerant

The area shall be checked with an appropriate refrigerant detector prior to and during work, to ensure the technician is aware of potentially toxic or flammable atmospheres. Ensure that the leak detection equipment being used is suitable for use with all applicable refrigerants, i.e. non-sparking, adequately sealed or intrinsically safe.

### Presence of Fire Extinguisher

If any hot work is to be conducted on the refrigeration equipment or any associated parts, appropriate fire extinguishing equipment shall be available to hand. Have a dry powder or CO<sub>2</sub> fire extinguisher adjacent to the charging area.

### No Ignition Sources

No person carrying out work in relation to a REFRIGERATION SYSTEM which involves exposing any pipe work shall use any sources of ignition in such a manner that it may lead to the risk of fire or explosion. All possible ignition sources, including cigarette smoking, should be kept sufficiently far away from the site of installation, repairing, removing and disposal, during which refrigerant can possibly be released to the surrounding space. Prior to work taking place, the area around the equipment is to be surveyed to make sure that there are no flammable hazards or ignition risks. "No Smoking" signs shall be displayed.

### Ventilated Area

Ensure that the area is in the open or that it is adequately ventilated before breaking into the system or conducting any hot work. A degree of ventilation shall continue during the period that the work is carried out. The ventilation should safely disperse any released refrigerant and preferably expel it externally into the atmosphere.

### Checks to the Refrigeration Equipment

The following checks shall be applied to installations using FLAMMABLE REFRIGERANTS:

- The actual REFRIGERANT CHARGE is in accordance with the room size within which the refrigerant containing parts are installed
- The ventilation machinery and outlets are operating adequately and are not obstructed
- If an indirect refrigerating circuit is being used, the secondary circuit shall be checked for the presence of refrigerant
- Marking to the equipment continues to be visible and legible. Markings and signs that are illegible shall be corrected
- Refrigerant piping or components are installed in a position where they are unlikely to be exposed to any substance which may corrode refrigerant containing components, unless the components are constructed of materials which are inherently resistant to being corroded or are suitably protected against being so corroded

### Checks to Electrical Devices

Repair and maintenance to electrical components shall include initial safety checks and component inspection procedures. If a fault exists that could compromise safety, then no electrical supply shall be connected to the circuit until it is satisfactorily dealt with. If the fault cannot be corrected immediately but it is necessary to continue operation, an adequate temporary solution shall be used. This shall be reported to the owner of the equipment so all parties are advised.

Initial safety checks shall include:

- Capacitors are discharged: this shall be done in a safe manner to avoid possibility of sparking
- That no live electrical components and wiring are exposed while charging, recovering, or purging the system
- That there is continuity of earth bonding

Models:  
MZ  
024-060

## General Information

### REPAIR TO INTRINSICALLY SAFE COMPONENTS

Intrinsically safe components must be replaced.

### CABLING

Check that cabling will not be subject to wear, corrosion, excessive pressure, vibration, sharp edges or any other adverse environmental effects. The check shall also take into account the effects of aging or continual vibration from sources such as compressors or fans.

### REQUIRED AREA FOR INSTALLATION

The minimum room area of the space ( $A_{min}$ ) or a minimum room area of conditioned space ( $TA_{min}$ ) shall be corrected for unit's location altitude by multiplying  $A_{min}$  or  $TA_{min}$  by the applicable altitude adjustment factor (AF) for building ground-level altitude ( $H_{alt}$ ) in feet or meters, as shown in the **Altitude Adjustment** table.

**NOTE:**

- You can use Imperial or Metric measurements to calculate  $A_{min}$  or  $TA_{min}$ .
- The maximum allowable altitude of installation for this product is 6,561 ft (2,000 m).

**Table 1: Altitude Adjustment**

| $H_{alt}$ ft (m) | AF   |
|------------------|------|
| 0 (0)            | 1.00 |
| 656 (200)        | 1.00 |
| 1,312 (400)      | 1.00 |
| 1,968 (600)      | 1.00 |
| 2,624 (800)      | 1.02 |
| 3,280 (1,000)    | 1.05 |
| 3,937 (1,200)    | 1.07 |
| 4,593 (1,400)    | 1.10 |
| 5,249 (1,600)    | 1.12 |
| 5,905 (1,800)    | 1.15 |
| 6,561 (2,000)    | 1.18 |

# Refrigerant System Servicing

## REFRIGERANT SYSTEM

Verify that air- and water-flow rates are at proper levels before servicing the refrigerant circuit. To maintain sealed-circuit integrity, do not install service gauges unless unit operation appears abnormal. Reference the operating charts for pressures and temperatures.

### Removal and Evacuation

When breaking into the refrigerant circuit to make repairs - or for any other purpose - conventional procedures shall be used. However, for flammable refrigerants it is important that best practice be followed, since flammability is a consideration. The following procedure shall be adhered to:

- Safely remove refrigerant following local and national regulations
- Evacuate
- Purge the circuit with Nitrogen
- Evacuate
- Continuously flush or purge with Nitrogen when using flame to open circuit
- Open the circuit

The refrigerant charge shall be recovered into the correct recovery cylinders as venting is not allowed by local and national codes. For appliances containing flammable refrigerants, the system shall be purged with oxygen-free nitrogen to render the appliance safe for flammable refrigerants. This process might need to be repeated several times. Compressed air or oxygen shall not be used for purging refrigerant systems.

For appliances containing flammable refrigerants, refrigerant purging shall be achieved by breaking the vacuum in the system with oxygen-free nitrogen and continuing to fill until the working pressure is achieved, then venting to atmosphere, and finally pulling down to a vacuum (optional for FLAMMABLE REFRIGERANT). This process shall be repeated until no refrigerant remains in the system (optional for FLAMMABLE REFRIGERANT). When the final oxygen-free nitrogen charge is used, the system shall be vented down to atmospheric pressure to enable work to take place.

The outlet for the vacuum pump shall not be close to any potential ignition sources, and ventilation shall be available.

### Charging Procedures

In addition to conventional charging procedures, the following requirements shall be followed:

- Ensure that contamination of different refrigerants does not occur when using charging equipment
- Hoses or lines shall be as short as possible to minimize the amount of refrigerant contained in them
- Cylinders shall be kept in an appropriate position according to the instructions to ensure charging with liquid refrigerant
- Ensure that the REFRIGERATION SYSTEM is grounded prior to charging the system with refrigerant
- Label the system when charging is complete (if not already):
  - For packaged units, the data plate dictates the charge level
  - For split systems, write the charge level on the data plate
- Extreme care shall be taken not to overfill the REFRIGERATION SYSTEM

Prior to recharging the system, it shall be pressure-tested with the appropriate purging gas. The system shall be leak-tested on completion of charging but prior to commissioning. A follow up leak test shall be carried out prior to leaving the site.

### Leak Detection

Under no circumstances shall potential sources of ignition be used in the searching for or detection of refrigerant leaks. A halide torch (or any other detector using a naked flame) shall not be used.

The following leak detection methods are deemed acceptable for all refrigerant systems.

A2L-Compliant electronic leak detectors may be used to detect refrigerant leaks but, in the case of FLAMMABLE REFRIGERANTS, the sensitivity may not be adequate, or may need re-calibration. (Detection equipment shall be calibrated in a refrigerant-free area.) Ensure that the detector is not a potential source of Ignition and is suitable for the refrigerant used.

Models:  
MZ  
024-060

## Refrigerant System Servicing

Leak-detection equipment shall be set at a percentage of the lower flammability limit of the refrigerant and shall be calibrated to the refrigerant employed, and the appropriate percentage of gas (25% maximum) is confirmed.

Leak-detection fluids are also suitable for use with most refrigerants but the use of detergents containing chlorine shall be avoided as the chlorine may react with the refrigerant and corrode the copper pipe-work.

### NOTE:

Examples of leak detection fluids are:

- Bubble method
- Fluorescent method agents

If a leak is suspected, all naked flames shall be removed/extinguished.

If a refrigerant leak that requires brazing is identified, all of the refrigerant shall be recovered from the system, or isolated (by means of shutoff valves) in a part of the system remote from the leak. Removal of refrigerant shall be according to Removal and Evacuation section.

## DECOMMISSIONING

Before carrying out this procedure, it is essential that the technician is completely familiar with the equipment and all its detail. It is a recommended good practice that all refrigerants are recovered safely. Prior to the task being carried out, an oil and refrigerant sample shall be taken in case analysis is required prior to re-use of recovered refrigerant. It is essential that electrical power is available before the task is commenced.

1. Become familiar with the equipment and its operation
2. Isolate system electrically

3. Before attempting the procedure, ensure that:
  - Mechanical-handling equipment is available, if required, for handling refrigerant cylinders
  - All personal protective equipment is available and being used correctly
  - The recovery process is supervised at all times by a competent person
  - Recovery equipment and cylinders conform to the appropriate standards
4. Pump down refrigerant system, if possible
5. If a vacuum is not possible, make a manifold so that refrigerant can be removed from various parts of the system
6. Ensure that cylinder is situated on the scales before recovery takes place
7. Start the recovery machine and operate in accordance with instructions
8. Do not overfill cylinders (no more than 80% volume liquid charge)
9. Do not exceed the maximum working pressure of the cylinder, even temporarily
10. When the cylinders have been filled correctly and the process completed, ensure that the cylinders and the equipment are removed from site promptly and all isolation valves on the equipment are closed off
11. Recovered refrigerant shall not be charged into another REFRIGERATING SYSTEM unless it has been cleaned and checked

**Labeling** - Upon decommissioning, equipment shall be labeled stating that it has been decommissioned and emptied of refrigerant. The label shall be dated and signed.

## Refrigerant System Servicing

Models:  
MZ  
024-060

### RECOVERY

When removing refrigerant from a system, either for servicing or decommissioning, it is recommended good practice that all refrigerants are removed safely.

When transferring refrigerant into cylinders, ensure that only appropriate refrigerant recovery cylinders are employed. Ensure that the correct number of cylinders for holding the total system charge is available. All cylinders to be used are designated for the recovered refrigerant and labeled for that refrigerant (i.e. special cylinders for the recovery of refrigerant). Cylinders shall be complete with pressure-relief valve and associated shutoff valves in good working order. Empty recovery cylinders are evacuated and, if possible, cooled before recovery occurs.

The recovery equipment shall be in good working order with a set of instructions concerning the equipment that is at hand and shall be suitable for the recovery of the flammable refrigerant. If in doubt, the manufacturer should be consulted.

In addition, a set of calibrated weighing scales shall be available and in good working order. Hoses shall be complete with leak-free disconnect couplings and in good condition.

The recovered refrigerant shall be processed according to local legislation in the correct recovery cylinder, and the relevant waste transfer note arranged. Do not mix refrigerants in recovery units and especially not in cylinders.

If compressors or compressor oils are to be removed, ensure that they have been evacuated to an acceptable level to make certain that flammable refrigerant does not remain within the lubricant. The compressor body shall not be heated by an open flame or other ignition sources to accelerate this process. When oil is drained from a system, it shall be carried out safely.

Models:  
MZ  
024-060

# Minimum Installation Area

## MINIMUM INSTALLATION AREA

**Minimum area where a blower-equipped unit must be installed, and mechanical/natural ventilation is not required**

| Model | Charge (oz) | Configuration | Minimum Installation Area ft <sup>2</sup> (m <sup>2</sup> ) [A <sub>min</sub> ] |               |             |             |
|-------|-------------|---------------|---|---------------|-------------|-------------|
|       |             |               | Floor   | Window        | Wall        | Ceiling     |
| MZ060 | 69          | Vertical      | 237<br>(22.0)   | 132<br>(12.2) | 76<br>(7.0) | 63<br>(5.9) |
|       |             | Horizontal    | 237<br>(22.0)   | 141<br>(13.1) | 79<br>(7.3) | 65<br>(6.0) |

A<sub>min</sub> = Minimum area where unit is installed where unit has incorporated airflow

h<sub>inst</sub> (floor) = 0.0 ft (0.0 m)

h<sub>inst</sub> (window) = 3.3 ft (1.0 m)

h<sub>inst</sub> (wall) = 5.9 ft (1.8 m)

h<sub>inst</sub> (ceiling) = 7.2 ft (2.2 m)

### Minimum area and CFM requirements for the conditioned space

| Model | Charge (oz) | Minimum CFM [Q <sub>min</sub> ]      |   |
|-------|-------------|--------------------------------------|---|
|       |             | TA <sub>min</sub> (ft <sup>2</sup> ) | Q <sub>min</sub> (ft <sup>3</sup> /min) |
| MZ060 | 69          | 3.54                                 | 117                                     |

TA<sub>min</sub> = Minimum conditioned area for venting leaked refrigerant

Q<sub>min</sub> = Minimum ventilation flow rate for conditioned space if space is less than TA<sub>min</sub>

### Minimum area of opening for natural ventilation

| Model | Charge (oz) | Anv <sub>min</sub> in <sup>2</sup> (cm <sup>2</sup> ) |
|-------|-------------|---|
| MZ060 | 69          | 111.57 (719.80)                                       |

Anv<sub>min</sub> = Minimum natural ventilation area opening

When the openings for connected rooms or natural ventilation are required, apply the following conditions:

- The area of any openings above 11.8 inches (300 mm) from the floor shall not be considered in determining compliance with Anv<sub>min</sub>.
- At least 50% of the required opening area Anv<sub>min</sub> shall be below 7.8 inches (200 mm) from the floor.
- The bottom of the lowest openings shall not be higher than the point of release when the unit is installed and not more than 3.9 inches (100 mm) from the floor.
- Openings are permanent openings which cannot be closed.
- For openings extending to the floor, the height shall not be less than 0.78 inch (20 mm) above the surface of the floor covering.
- A second higher opening shall be provided. The total size of the second opening shall not be less than 50% of minimum opening area for Anv<sub>min</sub> and shall be at least 3.3 ft (1.5 m) above the floor.

# Physical Data

Models:  
MZ  
024-060

## MZ Series

| Unit Size                              | 024   | 030   | 036     | 042     | 048                | 060                |
|--|-------|-------|---------|---------|--------------------|--------------------|
| Number of refrigerant circuits         | 1     | 1     | 1       | 1       | 1                  | 1                  |
| Factory Charge R-454B (oz)             | 40    | 36    | 46      | 56      | 56                 | 69                 |
| Refrigerant Leak Detection System      | O     | O     | O       | O       | O                  | R                  |
| Number of Sensors                      | 2     | 2     | 2       | 2       | 2                  | 2                  |
| <b>Water Connection Size</b>           |       |       |         |         |                    |                    |
| Swivel                                 | 1"    | 1"    | 1"      | 1"      | 1"                 | 1"                 |
| System Water Volume (gal) <sup>1</sup> | 0.323 | 0.323 | 0.738   | 0.890   | 0.890              | 0.939              |
| <b>Vertical</b>                        |       |       |         |         |                    |                    |
| Filter Standard - 1" Throwaway (inch)  | 20x20 | 20x20 | 24x24   | 24x24   | 28x28              | 28x28              |
| Weight - Operating (lbs.)              | 216   | 224   | 245     | 260     | 315                | 330                |
| Weight - Packaged (lbs.)               | 221   | 229   | 251     | 266     | 322                | 337                |
| <b>Horizontal</b>                      |       |       |         |         |                    |                    |
| Filter Standard - 1" Throwaway         | 18x24 | 18x24 | 2-14x20 | 2-14x20 | 1-20x24<br>1-14x20 | 1-20x24<br>1-14x20 |
| Weight - Operating (lbs.)              | 208   | 208   | 233     | 244     | 299                | 314                |
| Weight - Packaged (lbs.)               | 213   | 213   | 239     | 250     | 306                | 321                |
| <b>Hot Water Generator</b>             |       |       |         |         |                    |                    |
| Swivel - Residential Class             | 1"    | 1"    | 1"      | 1"      | 1"                 | 1"                 |
| Weight - HWG Adder (lbs.)              | +15   | +15   | +15     | +15     | +15                | +15                |

**Notes:**

- All dimensions displayed above are in inches unless otherwise marked.
  - The standard Condensate Drain Connection is rubber coupling that couples to ¾-inch schedule 40/80 PVC.
  - The optional Stainless Steel Condensate Drain Connection is ¾-inch FPT.
  - FPT = Female Pipe Thread.
  - O = Optional, R = Required
1. Volume without water options.

## Horizontal Installation

### HORIZONTAL UNIT LOCATION

Units are not designed for outdoor installation. Locate the unit in an INDOOR area that allows enough space for service personnel to perform typical maintenance or repairs without removing unit from the ceiling. Horizontal units are typically installed above a false ceiling or in a ceiling plenum. Never install units in areas subject to freezing or where humidity levels could cause cabinet condensation (such as unconditioned spaces subject to 100% outside air). During installation, consider accessibility for filter and access panel removal. Provide sufficient room to make water, electrical, and duct connection(s).

If the unit is located in a confined space, such as a closet, make provisions for return air to freely enter the space by means of a louvered door, etc. Remove any access panel screws that are difficult to remove after the unit is installed prior to setting the unit. Refer to the **Typical Horizontal Unit Installation** figure for an example of a typical installation. Refer to product catalog or engineering design guide for dimensional data.

Conform to the following guidelines when selecting unit location:

1. Provide a hinged access door in concealed-spline or plaster ceilings. Provide removable ceiling tiles in T-bar or lay-in ceilings. Refer to horizontal unit dimensions for specific series and model in the product catalog. Size the access opening to accommodate the service technician during the removal or replacement of the compressor, control, or blower assembly.
2. Provide access to hanger brackets, water valves, and fittings. Provide screwdriver clearance to access panels, discharge collars and all electrical connections.
3. DO NOT obstruct the space beneath the unit with piping, electrical cables, and other items that prohibit future removal of components or the unit itself.
4. Use a manual portable jack/lift to lift and support the weight of the unit during installation and servicing.

The installation of water-source heat pump units and all associated components, parts and accessories that make up the installation shall be in accordance with the regulations of ALL authorities having jurisdiction and MUST conform to all applicable codes. It is the responsibility of the installing contractor to determine and comply with ALL applicable codes and regulations.

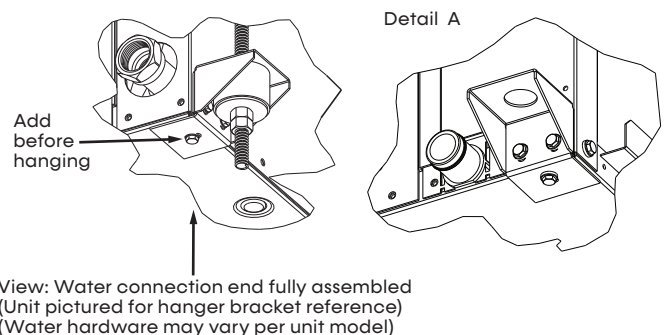
**NOTE: Minimum clearances for installation are the same as the minimum required service clearances. Consult the Horizontal Installation Service Access diagram for more information.**

### MOUNTING HORIZONTAL UNITS

Horizontal units have four hanger brackets partially attached at the factory; one at each corner. Enclosed within the unit, there is a hanger kit hardware bag containing vibration isolation grommets, washers, screws, and a hanger installation instruction page. Add one screw from the hardware bag to each hanger bracket before unit installation. Tighten each screw to 75 in-lbs (8.5 Nm). See the **Hanger Bracket** figure for more information. Refer to the hanger installation instruction page contained in the hardware bag for details of final hanger bracket attachment and unit suspension.

Use four field-supplied threaded rods and factory-provided vibration isolators to suspend the unit. Safely lift the unit into position supporting the bottom of the unit. Ensure the top of the unit is not in contact with any external objects. Connect the top end of the four all-thread rods, slide rods through the brackets and grommet then assemble washers and double nuts at each rod. Ensure that the unit is approximately level and that the threaded rod extends past the nuts.

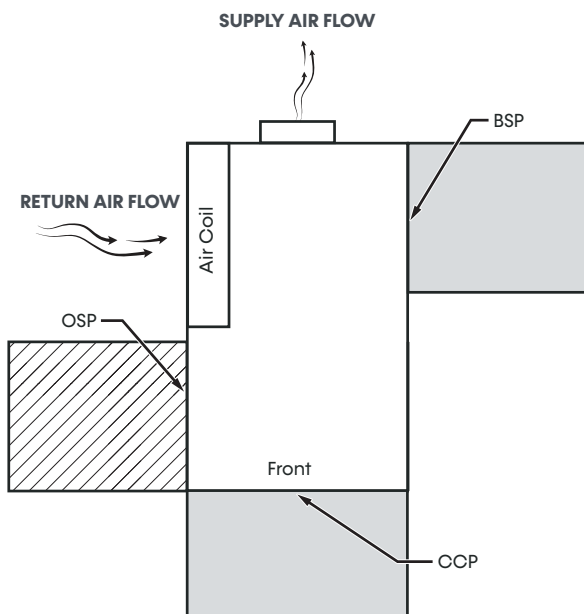
**Figure 1: Hanger Bracket**



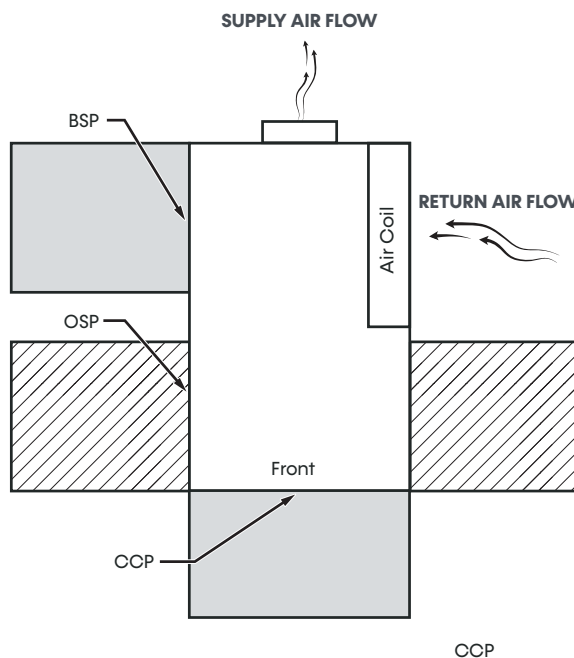
# Horizontal Installation Service Access

Models:  
MZ  
024-060

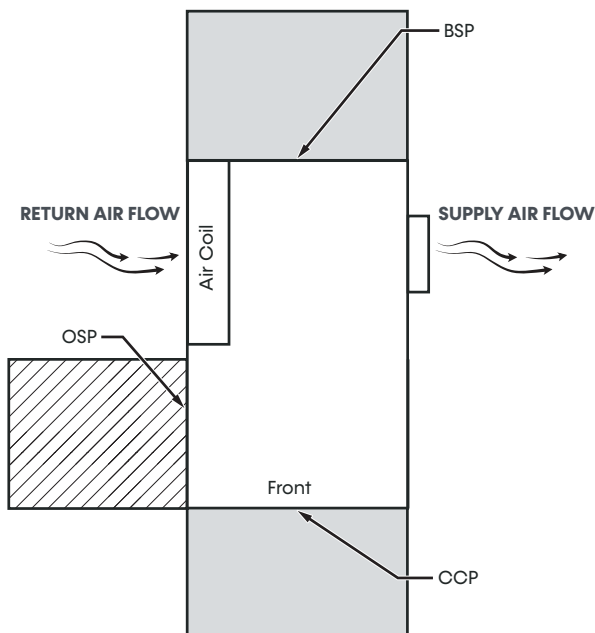
LEFT RETURN BACK DISCHARGE



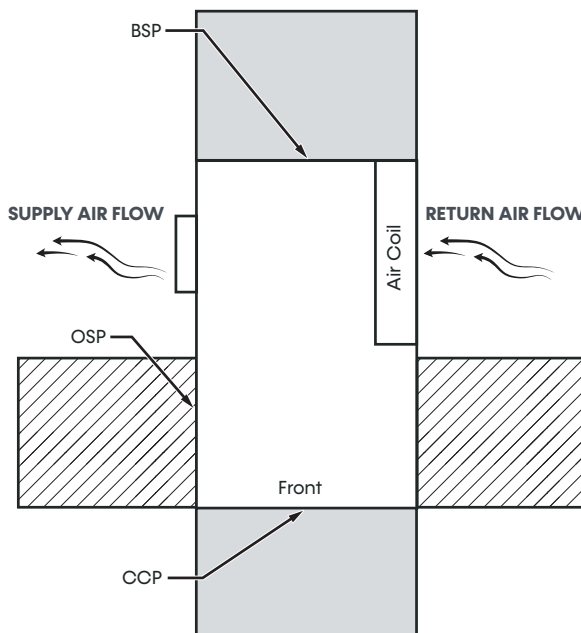
RIGHT RETURN BACK DISCHARGE



LEFT RETURN STRAIGHT DISCHARGE



RIGHT RETURN STRAIGHT DISCHARGE



**NOTES**

1. While clear access to all removable panels is not required, installer should take care to comply with all building codes and allow adequate clearance for future field service.
2. CCP and BSP requires 2-feet of service access.
3. Blower service access is through back panel on straight discharge units or through panel opposite air coil on back discharge units.
4. OSP are removable panels that provide additional access to the units interior. Clear access to OSP panels is not required and they are not to be used in place of the mandatory CCP and BSP panels.

- = Mandatory Service Access 2-foot (61 cm)
- = Optional Service Access 2-foot (61 cm)

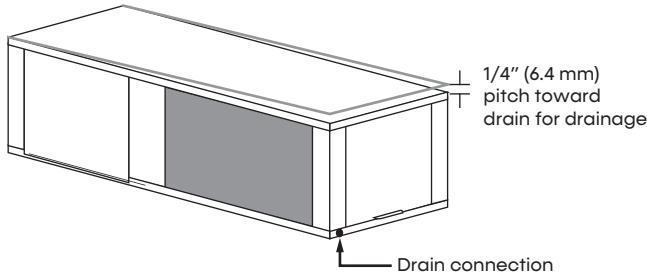
**LEGEND**

- CCP = CONTROL/COMPRESSOR ACCESS**
- BSP = BLOWER SERVICE PANEL**
- OSP = OPTIONAL SERVICE PANEL (NOT REQUIRED)**

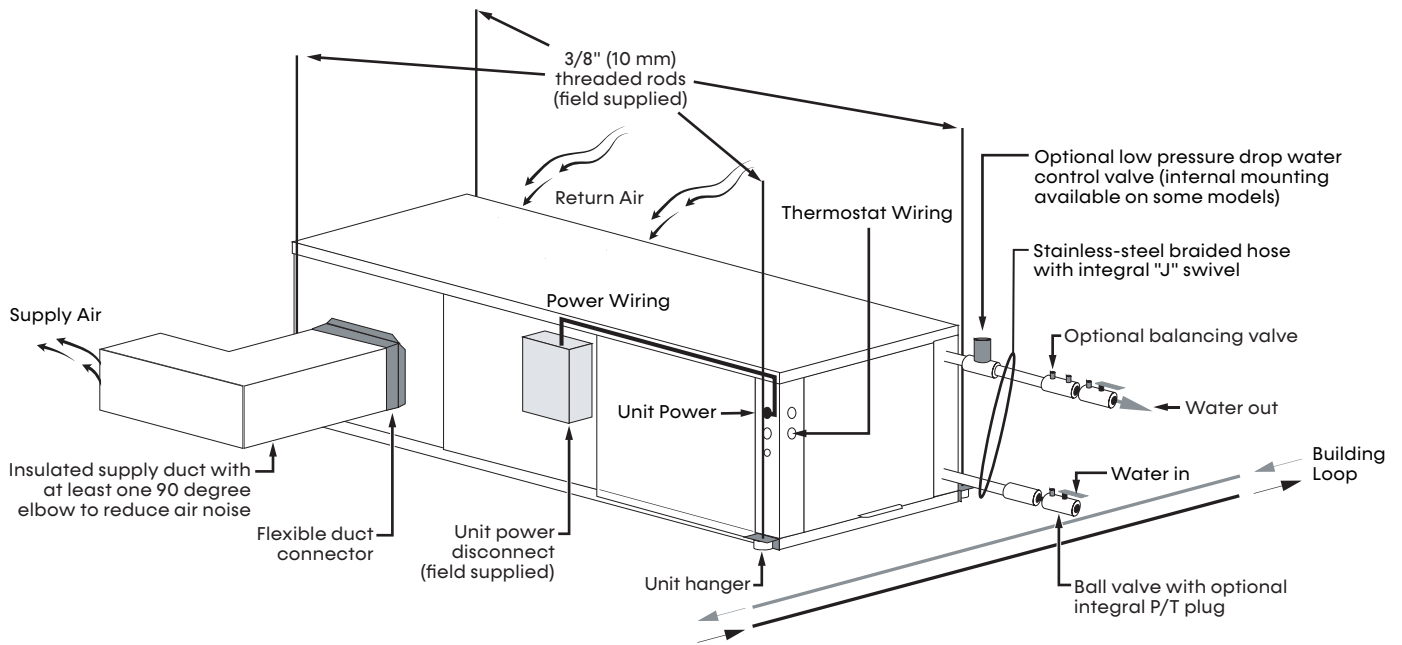
Models:  
MZ  
024-060

# Horizontal Installation

**Figure 2: Horizontal Unit Pitch**



**Figure 3: Typical Horizontal Unit Installation**



## AIR COIL

To obtain maximum performance, clean the air coil before startup. Use a 10% solution of dishwasher detergent and water for both sides of the coil. Follow with a thorough water rinse. **Do not use ultraviolet-based antibacterial systems.**

### ⚠ ATTENTION

Installation Note - Ducted Return: Many horizontal WSHPs are installed in a return air ceiling plenum application (above ceiling). Vertical WSHPs are commonly installed in a mechanical room with free return (e.g. louvered door). Filter rails are the industry standard and are included on commercial heat pumps only for holding the filter. For ducted return applications, the filter rail must be removed and replaced with a duct flange or filter frame. Canvas or flexible connectors should also be used to minimize vibration between the unit and ductwork.

## Horizontal Installation

### CONDENSATE PIPING

A condensate drain line must be installed and pitched away for the unit to allow for proper drainage. This connection must meet all local plumbing/building codes.

To improve the condensate drainage, pitch the unit toward the drain using the **Horizontal Condensate Connection** figure as an example. Ensure that unit pitch does not cause condensate leaks inside the cabinet.

Install condensate trap at each unit with the top of the trap positioned below the unit condensate drain connection using the **Horizontal Condensate Connection** figure as an example. Design the depth of the trap (water-seal) based upon the amount of ESP capability of the blower (where 2-inches [51 mm] of ESP capability requires 2-inches [51 mm] of trap depth). As a general rule, 1 ½ inch (38 mm) trap depth is the minimum.

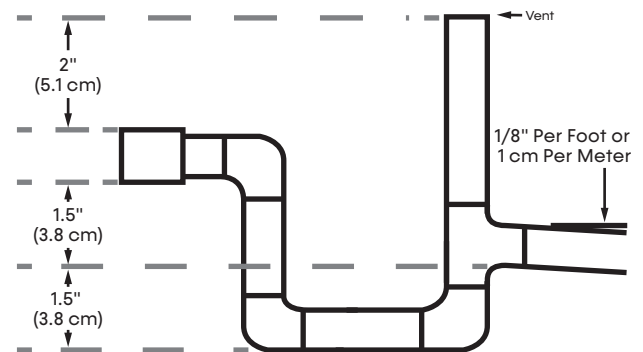
Each unit must be installed with its own individual trap and connection to the condensate line (main) or riser. Provide a means to flush or blow out the condensate line. DO NOT install units with a common trap and/or vent.

Always vent the condensate line when dirt or air can collect in the line or a long horizontal drain line is required. Also vent when large units are working against higher external static pressure than other units connected to the same condensate main since this may cause poor drainage for all units on the line. **WHEN A VENT IS INSTALLED IN THE DRAIN LINE, IT MUST BE LOCATED AFTER THE TRAP IN THE DIRECTION OF THE CONDENSATE FLOW.**

### STAINLESS STEEL DRAIN PANS

The condensate connection is ¾-inch MPT. Field-provided female adapter required for condensate drain connection.

**Figure 4: Horizontal Condensate Connection**



#### CAUTION

Ensure condensate line is pitched toward drain 1/8 inch per foot (11 mm per m) of run.

# Duct System Installation

## DUCT SYSTEM INSTALLATION

Proper duct sizing and design is critical to the performance of the unit. The duct system should be designed to allow adequate and even airflow through the unit during operation. Airflow through the unit **MUST** be at or above the minimum rated airflow for a given unit size to avoid equipment damage. Design duct systems for quiet operation. Refer to the following horizontal and vertical duct system example figures:

- **Typical Horizontal Unit Installation**
- **Typical Vertical Unit Installation Using Ducted Return Air**

A flexible connector is recommended for both discharge and return air duct connections on metal duct systems to eliminate the transfer of vibration to the duct system. To maximize sound attenuation of the unit blower, include internal fiberglass duct liner in the supply and return plenums or construct them using ductboard for the first few feet. Using the unit with uninsulated ductwork in an unconditioned space is not recommended, as the unit's performance may be adversely affected.

Include at least one 90-degree elbow in the supply duct to reduce air noise. If air noise or excessive air flow is a problem, adjust the blower speed. For airflow charts, consult the product catalog for the series and model of the specific unit.

Before a unit is connected to existing ductwork, check to ensure that the ductwork has the capacity to handle the airflow required for the unit. If ducting is too small, as in the replacement of a heating only system, install larger ductwork. Check all existing ductwork for leaks and repair as necessary.

An unventilated area where water source heat pump is installed and surpasses a R-454B refrigerant charge of 62 oz (1.76 kg), shall be without continuously operating open flames (for example an operating gas appliance) or other **POTENTIAL IGNITION SOURCES** (for example an operating electric heater, hot surfaces).

Only auxiliary electric heaters approved by the manufacturer shall be installed in connecting ductwork. The installation of any other auxiliary devices is beyond the manufacturer's responsibility.

For duct-connected units, false ceilings or drop ceilings may be used as a return air plenum as long as the manufacturer's RDS is installed as shown in the **RDS Installation** figure in the *Refrigerant Detection System* section.

**⚠ WARNING**

Ducts connected to an appliance shall not contain a **POTENTIAL IGNITION SOURCE**.

**⚠ WARNING**

Keep any required ventilation openings clear of obstruction.

**⚠ WARNING**

For mechanical ventilation, the lower edge of the air extraction opening where air is exhausted from the room shall not be more than 3.94 inches (100 mm) above the floor. The location where the mechanical ventilation air extracted from the space is discharged shall be separated by a sufficient distance, but not less than 9.84 feet (3 m), from mechanical ventilation air intake openings, to prevent recirculation to the space.

# Field Conversion of Air Discharge

## OVERVIEW

Convert horizontal unit blower assembly between side (straight) and back (end) discharge using the instructions below.

**NOTE: It is not possible to field convert return air between left or right return models due to the necessity of refrigeration copper piping changes.**

## PREPARATION

Convert the unit's discharge configuration on the ground before hanging. If the unit is already hung, take it down for field conversion. If the unit to be converted includes a factory-installed RDS, see the *Move the RDS Sensor After Field Conversion* section.

## SIDE-TO-BACK DISCHARGE CONVERSION

1. Place unit in well lit area. Remove the screws as shown in the **Left Return – Side-to-Back** figure to free top panel and discharge panel.
2. Lift out the access panel and set aside. Lift and rotate the discharge panel to the other position as shown, being careful with the blower wiring.
3. Check blower wire routing and connections for tension or contact with sheet metal edges. Re-route if necessary.
4. Check refrigerant tubing for contact with other components.
5. Reinstall the top panel and screws noting that the location for some screws have changed.
6. Manually spin the fan wheel to ensure that the wheel is not rubbing or obstructed.
7. Replace access panels.

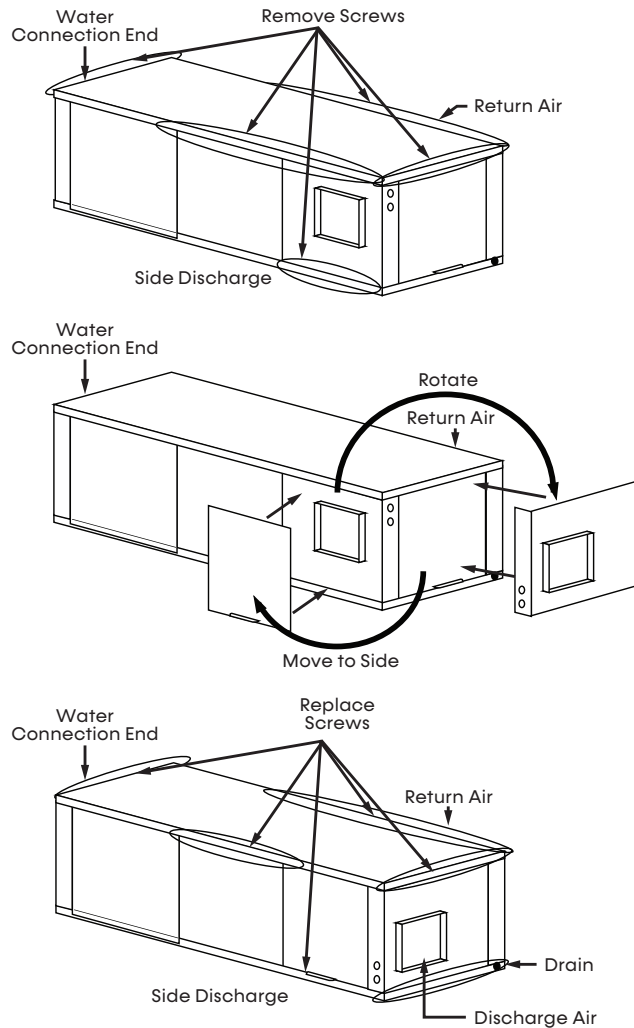
## BACK-TO-SIDE DISCHARGE CONVERSION

If the discharge is changed from back to side, use above instruction noting that illustrations are reversed.

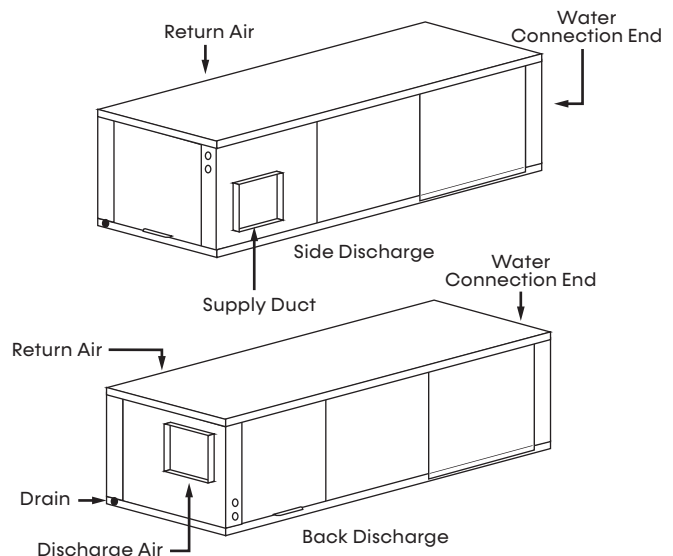
## LEFT VERSUS RIGHT RETURN

The conversion process of side-to-back or back-to-side discharge for either right or left return configuration is the same. In some cases, it is possible to rotate the entire unit 180 degrees if the return air connection needs to be on the opposite side. **NOTE: rotating the unit moves the piping to the other end of the unit.**

**Figure 5: Left Return – Side-to-Back**



**Figure 6: Right Return – Side-to-Back**



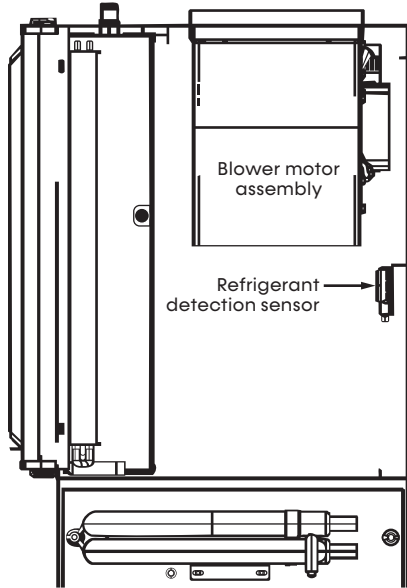
Models:  
MZ  
024-060

# Relocation of RDS After Field Conversion

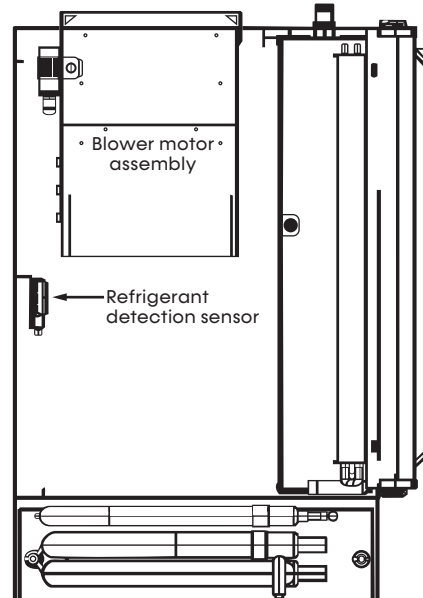
## REFRIGERANT DETECTION SYSTEM SENSOR LOCATIONS

After field converting air discharge on units with a factory-installed Refrigerant Detection System (RDS), move the RDS sensor to the location the unit configuration requires. The following examples detail RDS sensor location per return and discharge configuration.

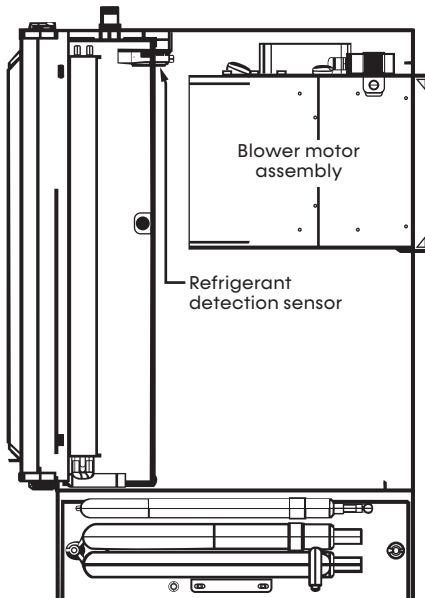
**Left Return Back Discharge  
Sensor on the Right Side of the Unit**



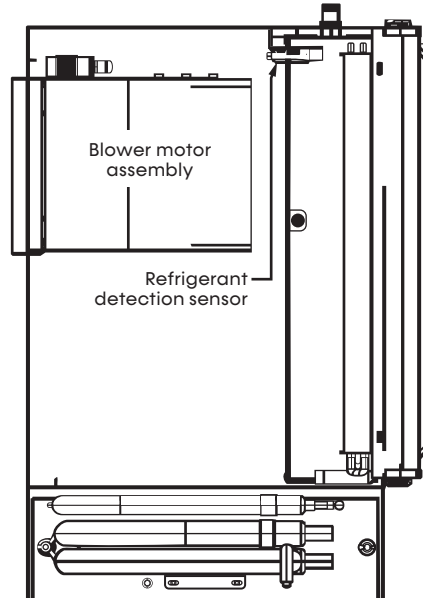
**Right Return Back Discharge  
Sensor on the Left Side of the Unit**



**Left Return Straight Discharge  
Sensor on the Back Side of the Unit**



**Right Return Straight Discharge  
Sensor on the Back Side of the Unit**



## Vertical Installation

### VERTICAL UNIT LOCATION

Units are not designed for outdoor installation. Locate the unit in an INDOOR area that allows enough space for service personnel to perform typical maintenance or repairs without removing unit from the mechanical room/closet. Never install units in areas subject to freezing or where humidity levels could cause cabinet condensation (such as unconditioned spaces subject to 100% outside air). Allow for access for easy removal of the filter and access panels. Provide sufficient room to make water, electrical, and duct connection(s). **NOTE: Minimum clearances for installation are the same as the minimum required service clearances. Consult the service clearances on for reference of installation clearances.**

If the unit is located in a confined space, such as a closet, provisions must be made for return air to freely enter the space by means of a louvered door, etc. Remove any access panel screws that may be difficult to remove after the unit is installed prior to setting the unit. Refer to submittal data or the engineering design guide for dimensional data. Use the following example figures for typical vertical installation references:

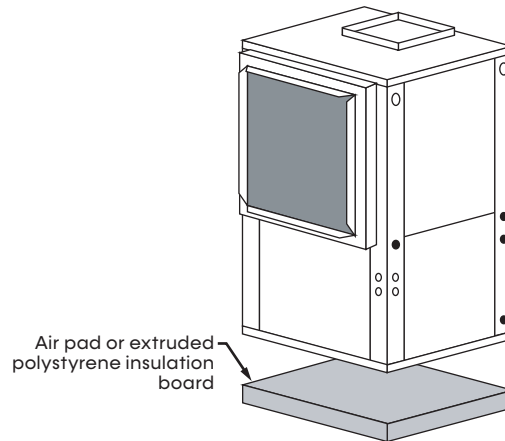
- **Vertical Unit Mounting**

- **Typical Vertical Unit Installation Using Ducted Return Air**

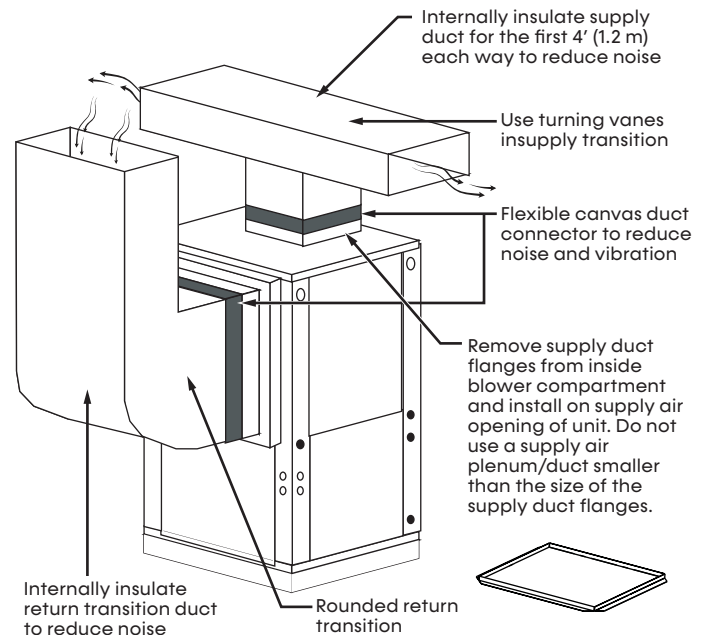
1. For optimal sound performance, install the unit on a piece of rubber, neoprene, or other mounting pad material for sound isolation. The pad should be at least  $\frac{3}{8}$ -inch (10 mm) to  $\frac{1}{2}$ -inch (13 mm) in thickness. The vibration isolation pad should cover the entire base of the unit and slightly extend past all four edges of the base.
2. Provide adequate clearance for filter replacement and drain pan cleaning. Do not block filter access with piping, conduit, or other materials.
3. Provide access for fan and fan motor maintenance and for servicing the compressor and coils without removing the unit.
4. Provide an unobstructed path to the unit within the closet or mechanical room. Space should be sufficient to allow removal of the unit, if necessary.
5. In limited side access installations, pre-removal of the control box side mounting screws will allow control box removal for future servicing.

6. Provide access to water valves and fittings and screwdriver access to the unit side panels, discharge collar and all electrical connections.

**Figure 7: Vertical Unit Mounting**



**Figure 8: Typical Vertical Unit Installation Using Ducted Return Air**



### ⚠ ATTENTION

Installation Note - Ducted Return: Many horizontal WSHPs are installed in a return air ceiling plenum application (above ceiling). Vertical WSHPs are commonly installed in a mechanical room with free return (e.g. louvered door). Filter rails are the industry standard and are included on commercial heat pumps only for holding the filter. For ducted return applications, the filter rail must be removed and replaced with a duct flange or filter frame. Canvas or flexible connectors should also be used to minimize vibration between the unit and ductwork.

Models:  
MZ  
024-060

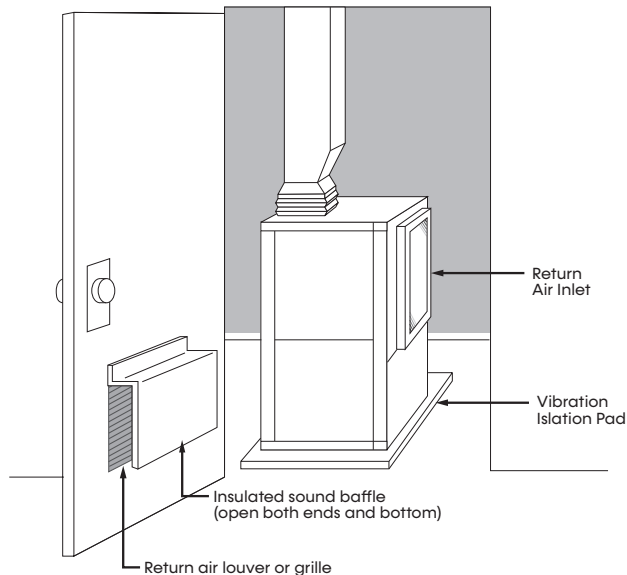
## Vertical Installation

### SOUND ATTENUATION FOR VERTICAL UNITS

Sound attenuation is achieved by enclosing the unit within a small mechanical room or a closet. Additional measures for sound control include the following:

1. Mount the unit so that the return air inlet is 90 degrees to the return air grille. Use the **Vertical Sound Attenuation** figure for reference. Install a sound baffle as illustrated to reduce line-of-sight sound transmitted through return air grilles.
2. Mount the unit on a rubber or neoprene isolation pad to minimize vibration transmission to the building structure.

**Figure 9: Vertical Sound Attenuation**



### CONDENSATE PIPING FOR VERTICAL UNITS

A condensate line must be installed and pitched away from the unit to allow for proper drainage. This connection must meet all local plumbing and building codes.

Install condensate traps at each unit with the top of the trap positioned below the unit condensate drain connection. Design the depth of the trap (water-seal) based on the amount of ESP capability of the blower, where 2-inches (51 mm) of ESP capability requires 2-inches (51 mm) of trap depth. As a general rule, 1 1/2-inches (38 mm) of trap depth is the minimum.

Always vent the condensate line when dirt or air can collect in the line or a long horizontal drain line is required. Also vent when large units are working against higher external static pressure than other units connected to the same condensate main since this may cause poor drainage for all units on the line. **WHEN A VENT IS INSTALLED IN THE DRAIN LINE, IT MUST BE LOCATED AFTER THE TRAP IN THE DIRECTION OF THE CONDENSATE FLOW.**

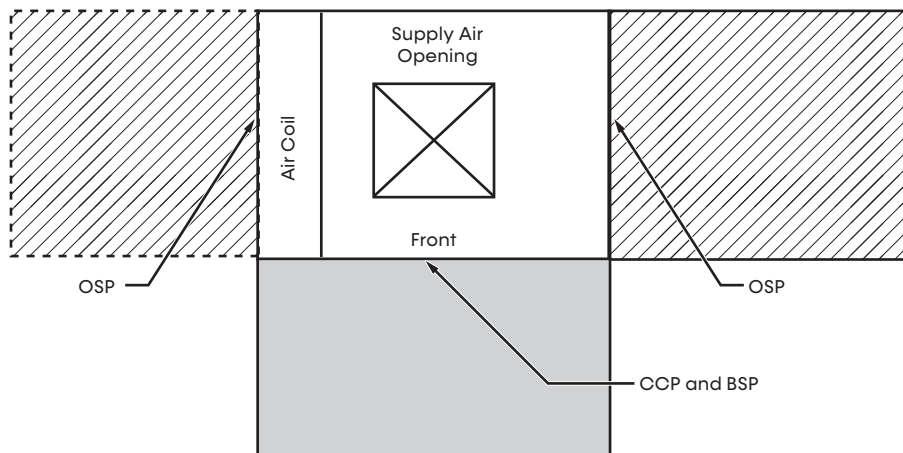
Each unit must be installed with its own individual vent (where necessary) and a means to flush or blow out the condensate drain line. Do not install units with a common trap and/or vent.

Condensate drain connection is a 3/4-inch MPT that couples to 3/4-inch FPT schedule 40/80 PVC. If the connection is not secure, the connection may leak.

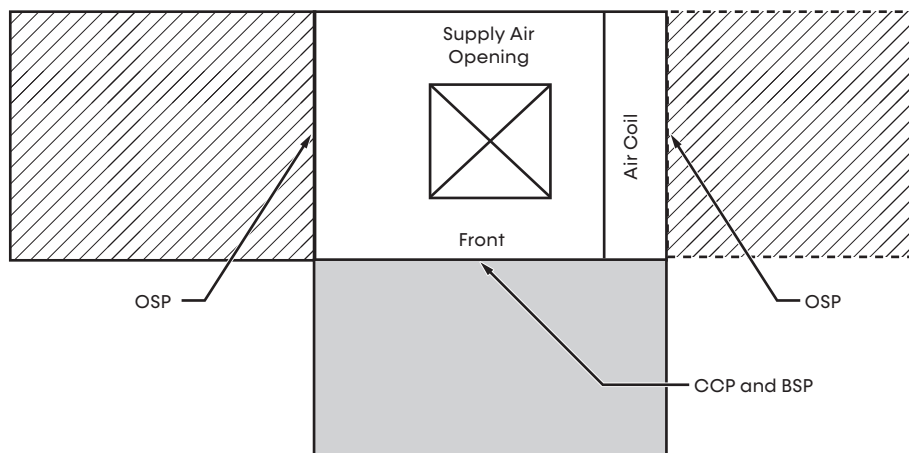
# Vertical Installation Service Access

Models:  
MZ  
024-060

## LEFT RETURN



## RIGHT RETURN



### NOTES

1. While clear access to all removable panels is not required, installer should take care to comply with all building codes and allow adequate clearance for future field service.
2. Front and side access is preferred for service access. However, all components may be serviced from the front access panel if side access is not available.
3. OSP are removable panels that provide additional access to the units interior. Clear access to OSP panels is not required and they are not to be used in place of the mandatory CCP and BSP panels.
4. Top supply air is shown, the same clearances apply to bottom supply air units.

 = Mandatory Service Access 2 feet (61 cm)

 = Optional Service Access 2 feet (61 cm)

### LEGEND

**CCP = CONTROL/COMPRESSOR ACCESS**  
**BSP = BLOWER SERVICE PANEL**  
**OSP = OPTIONAL SERVICE PANEL (NOT REQUIRED)**

Models:  
MZ  
024-060

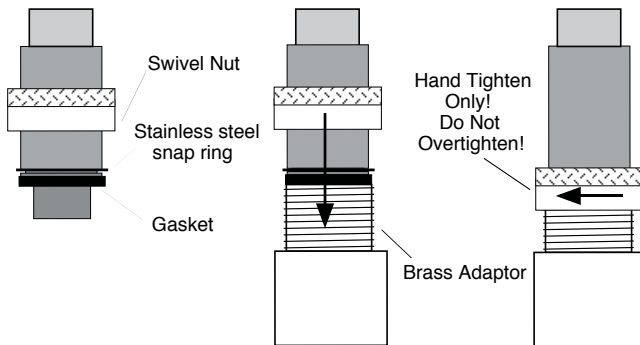
## Piping Installation

### WATER CONNECTIONS

Swivel piping fittings are used for water connections that are rated for 300 psi (2,068 kPa) operating pressure. The connections have a rubber gasket seal similar to a garden hose gasket, which when mated to the flush end of most 1-inch threaded male pipe fittings provides a leak-free seal without the need for thread sealing tape or joint compound. Check for burrs and ensure that the rubber seal is in the swivel connector prior to attempting any connection (rubber seals are shipped attached to the swivel connector). **DO NOT OVERTIGHTEN** or leaks may occur.

The female locking ring is threaded onto the pipe threads which holds the male pipe end against the rubber gasket, and seals the joint. **HAND TIGHTEN ONLY! DO NOT OVERTIGHTEN!**

**Figure 10: Water Connection**



# Applications

## Variable Water Flow Heat Pump

Models:  
MZ  
024-060

Variable Water Flow is a revolutionary new, intelligent, and efficient way to circulate water (or water plus antifreeze) using internal, variable-speed water flow control. The factory-installed high efficiency variable-speed pumps uses almost half the wattage of traditional fixed speed pump. Variable Water Flow technology improves the life expectancy of the unit by reducing the amount of energy required to optimize the flow of water throughout the system and also reduces the space, cost, and labor required to install external water flow control mechanisms (flow controllers, solenoid and flow control valves).

### VARIABLE WATER FLOW CONFIGURATIONS

- Low System Pressure Drop Modulating Motorized Valve – Typical for External Central Pumping.**  
 Primarily for use on multi-unit applications with central pumping. With this option the unit includes a low pressure drop, high  $C_v$  modulating motorized water valve that is controlled by the DXM2.6 based on the difference in the entering and leaving water temperature DT. This valve is a factory-installed feature for the MZ.
- High System Pressure Drop Modulating Motorized Valve – Typical for High Pressure Water System such as Open Loop Systems.**  
 With this option the unit includes a high pressure drop modulating water valve that is controlled by the DXM2.6 based on the difference in the entering and leaving water temperature DT. A low valve is used to provide more precise control against high system pressure differential type of loops. This valve is a factory-installed option for the MZ.

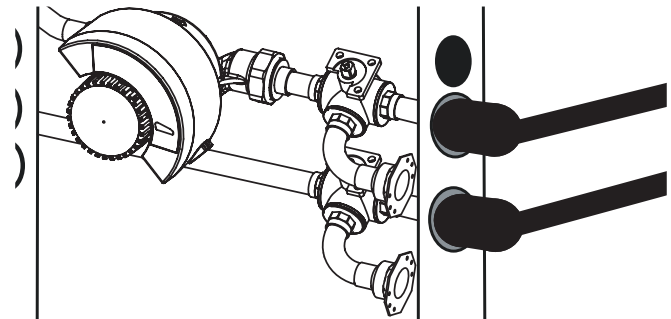
- Internal Flow Controller (Closed Loop Applications)**  
 This is the most common configuration for closed loops. With this factory-installed option, the unit is built with an Internal Variable Speed Pump and other components to flush and operate the unit correctly (including an expansion tank, flush ports and flushing valves). The pump speed is controlled by the DXM2.6 based on the difference in entering and leaving water temperatures (DT). The Internal Flow Controller pump may include an optional internal check valve for multiple unit installations. A copper water coil is standard with this option.

**NOTE: Internal Flow Controllers are suitable for multi-unit installations depending on pump performance requirements.**

Variable speed pump or motorized modulating valve delivers variable water flow, controlled by DXM2.6, based on loop water DT.



**Figure 11: Internal Flow Controller**

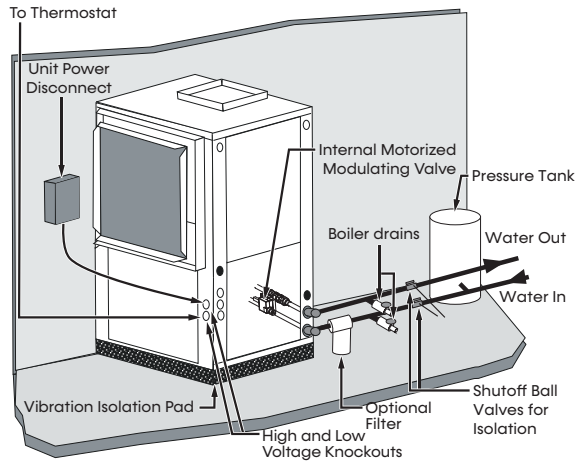


Models:  
MZ  
024-060

# Applications

## Variable Water Flow Heat Pump

### Typical Open Loop Application (Shown with Internal Modulating Motorized Valve)



For use on applications using external source for flow.

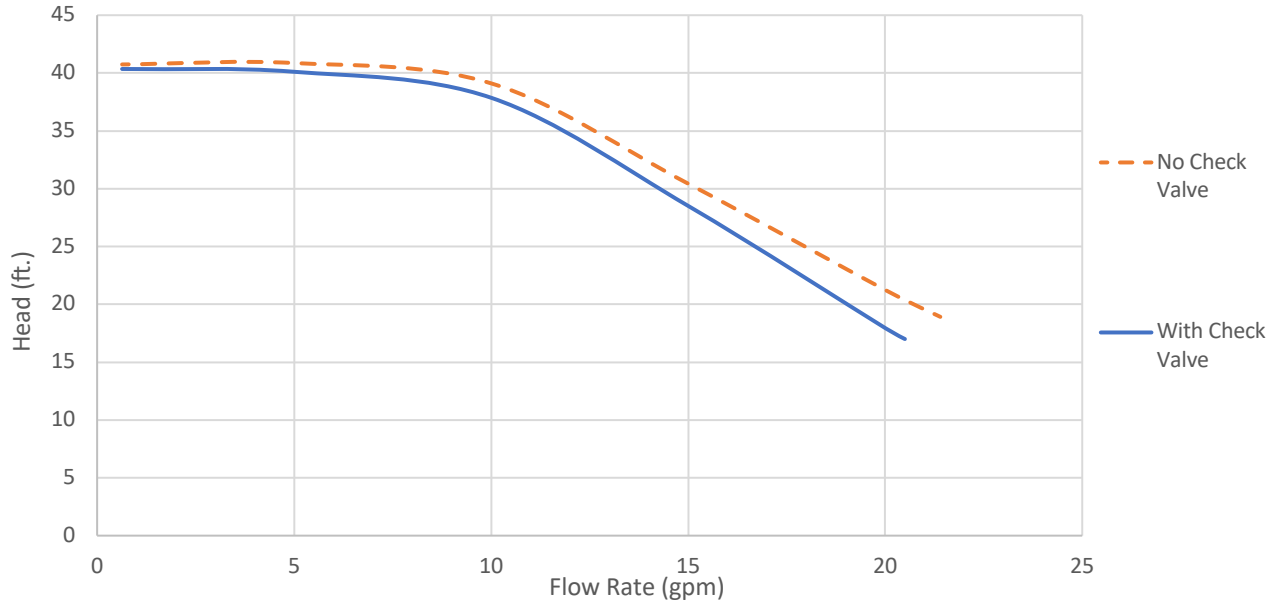
### WATER PRESSURE SCHRADER PORTS

The pressure ports built in to the unit are provided as a means of measuring pressure drop through the water-to-refrigerant heat exchanger. The water pressure ports are Schrader ports smaller than refrigerant Schrader ports. They are the same size as tire Schrader ports. A digital pressure gauge is recommended for taking pressure readings through these ports. The water flow through the unit can be determined by measuring the water pressure at the “water pressure out” port and subtracting it from the water pressure at the “water pressure in” port. Comparing the pressure differential to the pressure drop table (wpd)/flow rate in the **Coax Water Pressure Drop** table in this manual will determine the flow rate through the unit.

# Applications

## Variable Water Flow Heat Pump

Models:  
MZ  
024-060



Models:  
MZ  
024-060

# Applications

## Ground-Loop Heat Pump

### ⚠ CAUTION

The following instructions represent industry accepted installation practices for closed-loop earth-coupled heat-pump systems. Instructions are provided to assist the contractor in installing trouble-free ground loops. These instructions are recommendations only. State/provincial and local codes MUST be followed and installation MUST conform to ALL applicable codes. It is the responsibility of the installing contractor to determine and comply with ALL applicable codes and regulations.

### ⚠ CAUTION

Ground-loop applications require extended-range equipment and optional refrigerant/water circuit insulation.

## PRE-INSTALLATION

Prior to installation, locate and mark all existing underground utilities, piping, etc. Install loops for new construction before sidewalks, patios, driveways, and other construction has begun. During construction, accurately mark all ground-loop piping on the plot plan as an aid in avoiding potential future damage to the installation.

## PIPING INSTALLATION

Limit all ground-loop piping materials to polyethylene fusion only for in-ground sections of the loop. Do not use galvanized or steel fittings at any time due to their tendency to corrode. Do not use any plastic-to-metal threaded fittings due to their potential to leak in earth-coupled applications. Use flanged fittings as a substitute. Use P/T plugs for easy flow measurement using the pressure drop of the unit heat exchanger.

Ground-loop temperatures can range between 25 and 110°F (-4 to 43°C). Flow rates between 2.25 and 3 GPM (2.41 to 3.23 l/m per kW) of cooling capacity is recommended in these applications.

Test individual horizontal loop circuits before backfilling. Test vertical U-bends and pond loop assemblies prior to installation. Use pressures of at least 100 psi (689 kPa) when testing. Do not exceed the pipe pressure rating. Test the entire system when all loops are assembled.

## FLUSHING THE GROUND LOOP

After system installation and testing is complete, flush the system to remove all foreign objects and purge to remove all air. For more information, see Ground-Loop Cleaning and Flushing section.

## ANTIFREEZE

For operation when water is used instead of an antifreeze solution, you must calculate the leaving water temperature (LWT). Flow must be maintained to a level such that the LWT is maintained above 40°F (4.4°C) when the JW3 jumper is not clipped. Otherwise, use appropriate levels of a proper antifreeze solution in systems with leaving water temperatures of 40°F (4.4°C) or below (or where piping is routed through areas subject to freezing) and clip the JW3 jumper. Alcohols and glycols are commonly used as antifreeze. Consult your local sales office to determine the antifreeze best suited to your area. Maintain freeze protection to 15°F (9°C) below the lowest expected entering loop temperature. For example, if 30°F (-1°C) is the minimum expected entering loop temperature, the leaving loop temperature is 22 to 25°F (-6 to -4°C) and freeze protection is at 15°F (-10°C).

Calculation is as follows:

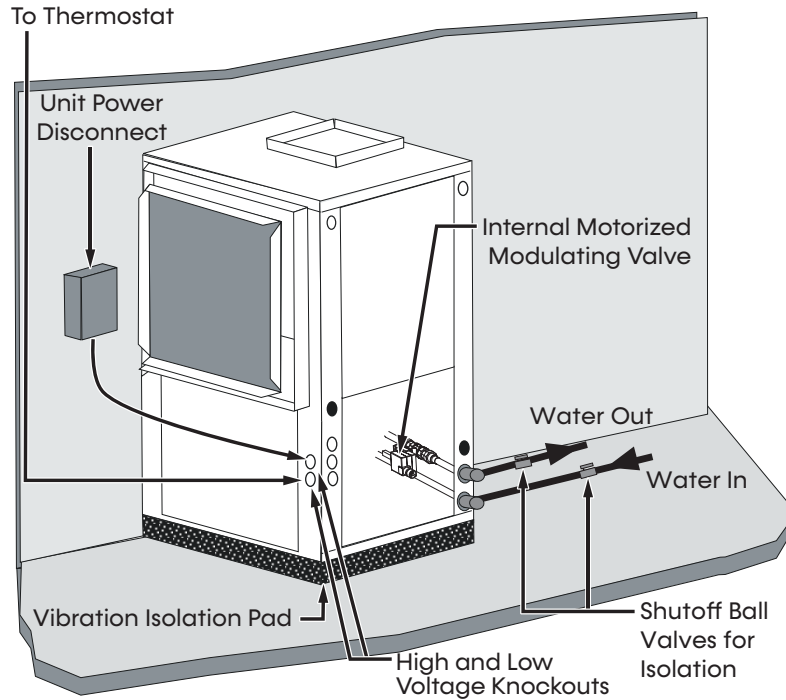
$$30^{\circ}\text{F} - 15^{\circ}\text{F} = 15^{\circ}\text{F} \quad [-1^{\circ}\text{C} - 9^{\circ}\text{C} = -10^{\circ}\text{C}]$$

Premix and pump all alcohols from a reservoir outside of the building when possible. If an outside reservoir is not available, introduce alcohol under the water level to prevent fumes. Calculate the total volume of fluid in the piping system, then use the **Antifreeze Percentages by Volume** table to determine the amount of antifreeze needed. Check antifreeze concentration from a homogenized sample using a hydrometer or refractometer to measure specific gravity.

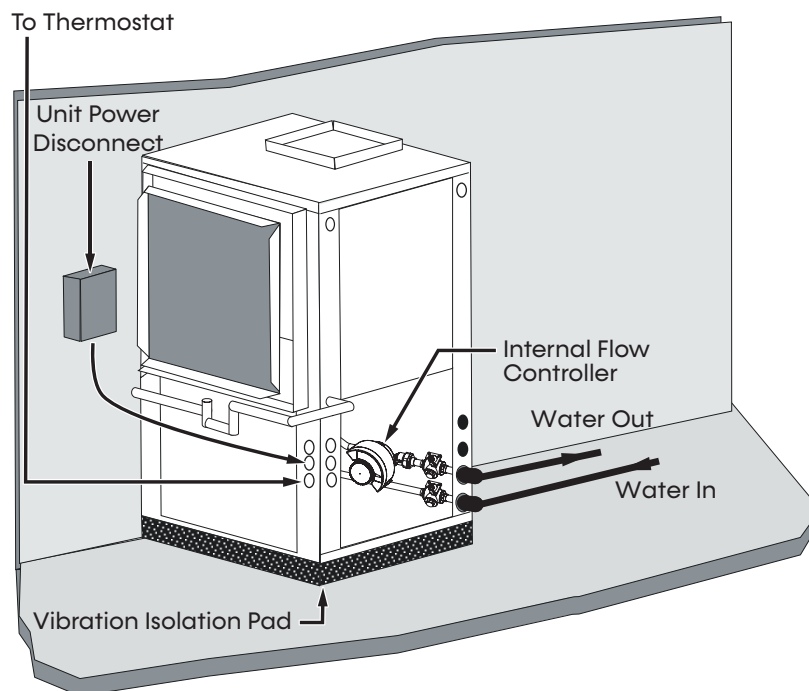
# Applications Ground-Loop Heat Pump

Models:  
MZ  
024-060

**Figure 12: Typical Closed Loop with Central Pumping  
(Shown with internal modulating water valve)**



**Figure 13: Typical Closed-Loop Application  
(Shown with internal flow controller)**



Models:  
MZ  
024-060

# Ground-Loop Heat Pump Cleaning and Flushing

After piping is complete between the unit and the ground loop, final purging and charging of the loop is required.

A flush cart with at least a 1.5 hp (1.1 kW) pump is required to achieve adequate flow velocity in the loop to purge air and dirt particles from the loop. Antifreeze solution is used in most areas to prevent freezing. Remove all air and debris from the earth loop piping system before operation. Flush the loop with a high volume of water at 2 fps (0.6 m/s) in all piping.

A fine-mesh (20 micron) or similar filter cartridge is required in the loop return line of the flush cart to eliminate all debris from the loop system. Failure to protect the brazed-plate heat exchangers can lead to product damage and loss of warranty. See the **Minimum Flow** table for the flow rate required to attain 2 fps (0.6 m/s). Follow the steps below for proper flushing.

**Table 2: Minimum Flow  
(required to achieve 2 ft/sec)**

| PE Pipe Size | Flow (GPM)           |
|--------------|----------------------|
| 3/4"         | 4 [4.3 L/M per KW]   |
| 1"           | 6 [6.5 L/M per KW]   |
| 1 1/4"       | 10 [10.8 L/M per KW] |
| 1 1/2"       | 13 [14.0 L/M per KW] |
| 2"           | 21 [22.6 L/M per KW] |

Units with internal variable-speed pumps include a check valve internal to the pump. It is not possible to flush backwards through this pump. Take care to connect the flush cart hoses so that the flush cart discharge is connected to the water in flushing valve of the heat pump.

## LOOP FILL

Fill the loop with water from a garden hose through flush cart before using flush cart pump to ensure an even fill and increase flushing speed (see the **Valve Position A – Loop Fill/Flush** figure). When water consistently returns back to the flush reservoir, switch to valve position B (see the **Valve Position B – Unit Fill/Flush** figure).

Isolate the expansion tank for this flushing procedure using the ball valve. During dead heading of flush cart pump, isolation prevents compression of the bladder in the expansion tank, and prevents the flush cart fluid level from dropping below available capacity.

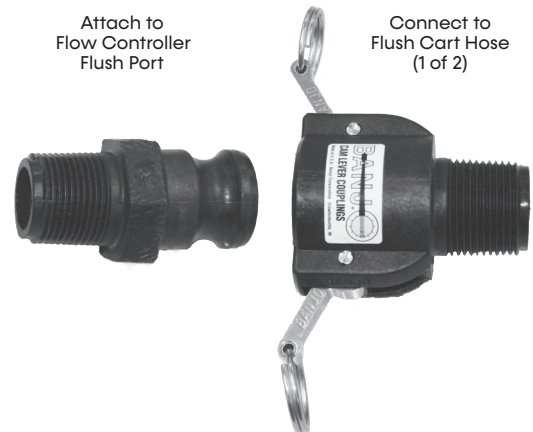
**⚠ WARNING**

**DISCONNECT ELECTRICAL POWER SOURCE TO PREVENT INJURY OR DEATH FROM ELECTRICAL SHOCK.**

**Figure 14: Typical Cleanable Flush Cart Strainer (100 mesh [0.149 mm])**



**Figure 15: Cam Fittings for Flush Cart Hoses**



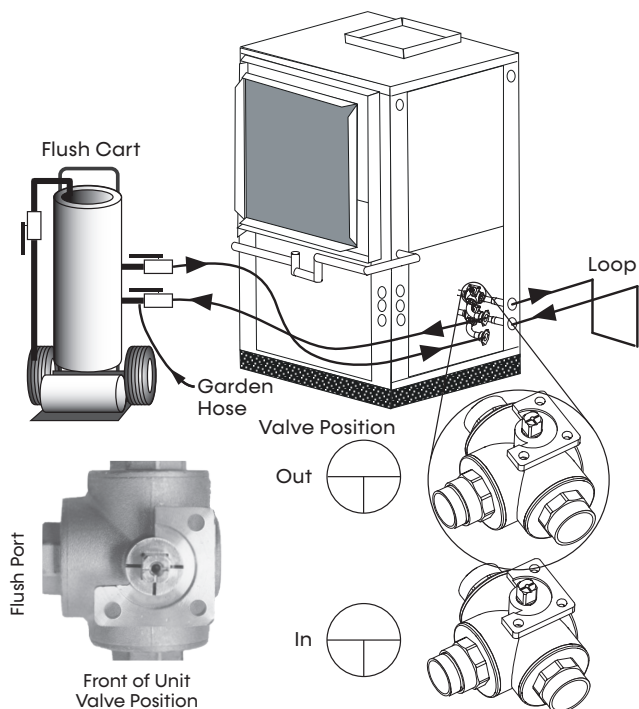
**⚠ ATTENTION**

A hydrostatic pressure test is required on ALL piping, especially underground piping before final backfill per IGSHPA and the pipe manufacturers recommendations.

# Ground-Loop Heat Pump Cleaning and Flushing

Models:  
MZ  
024-060

**Figure 16: Valve Position A – Loop Fill/Flush**



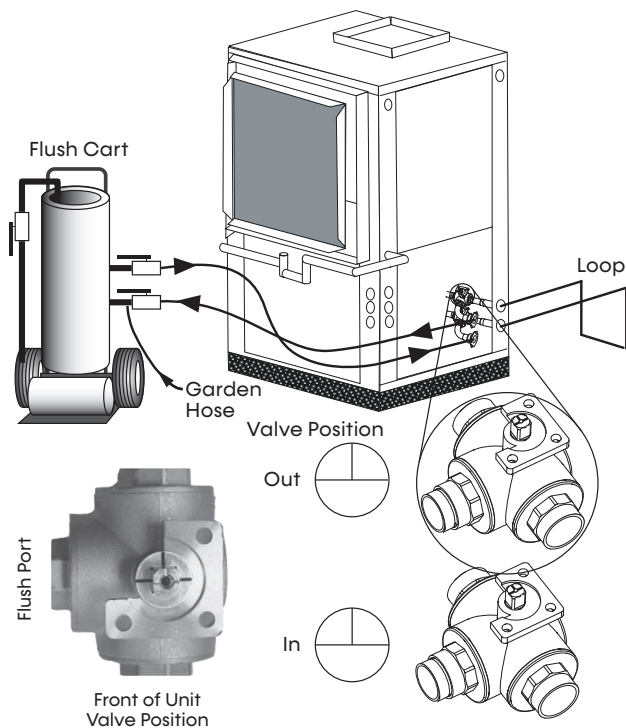
## UNIT FILL

Switch the unit fill valves to Position B while flush cart is pumping to fill the unit heat exchanger (see the **Valve Position B – Unit Fill/Flush** figure). Maintain Position B until water is consistently returned into the flush reservoir.

## LOOP FLUSH

Switch to valve Position A. Shut off the supply water and turn on the flush cart to begin flushing. Once the flush reservoir is full, do not allow the water level in the flush cart tank to drop below the pump inlet line or air can be pumped out to the earth loop. Try to maintain a fluid level in the tank above the return tee so that air cannot be continuously mixed back into the fluid. Use surges of 50 psi (345 kPa) to help purge air pockets by shutting off the flush cart return valve going into the flush cart reservoir. This process 'dead heads' the pump to 50 psi (345 kPa). To dead head the pump until maximum pumping pressure is reached, open the valve. Pressure surges through the loop to purge air pockets from the piping system. Notice the drop in fluid level in the flush cart tank. If all air is purged from the system, the level only drops 3/8 inch in a 10-inch (25.4 cm) diameter PVC flush tank (about a half gallon [1.9 liters]) since liquids are incompressible. If the level drops more than this level, continue flushing until air is not being compressed in the loop fluid. Do this a number of times to ensure all air is purged.

**Figure 17: Valve Position B – Unit Fill/Flush**



## ⚠ ATTENTION

Actual flushing time require will vary for each installation due to piping length, configuration, and flush cart pump capacity. 3/8 inches or less fluid level drop is the **ONLY** indication that flushing is complete.

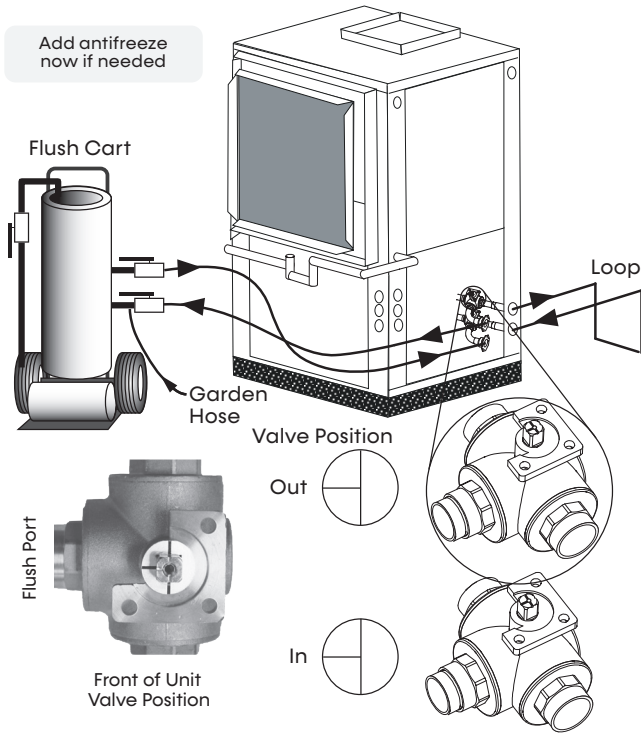
Switch valves to Position B to flush the unit. Flush through the unit until all air pockets are removed.

Move valves to Position C. Switching both valves to Position C allows water to flow through the loop and the unit heat exchanger. Dead head again to check for air in the loop. Fluid level drop is your only indication of air in the loop.

Models:  
MZ  
024-060

# Ground-Loop Heat Pump Cleaning and Flushing

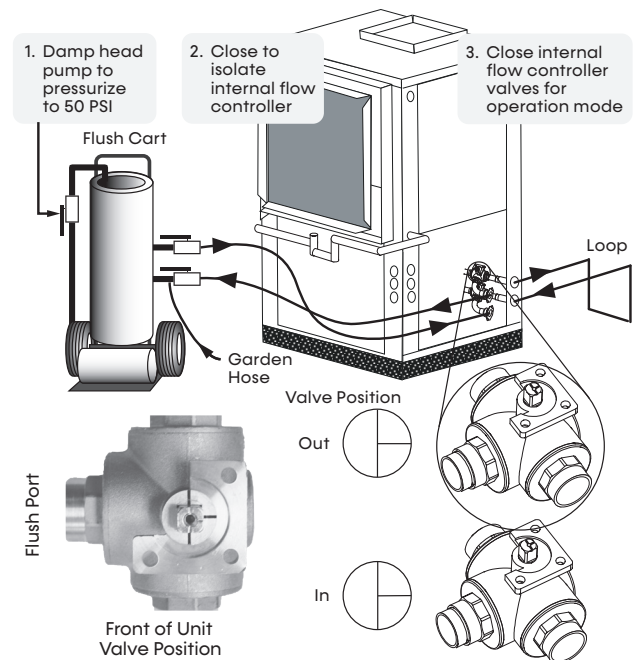
**Figure 18: Valve Position C – Full Flush**



The loop's static pressure fluctuates seasonally with higher pressures in the winter months than during the cooling season. This fluctuation is normal and should be considered when charging the system for the first time. Unhook the flush cart from the internal flow controller. Install flow controller caps to ensure that any condensation or leakage remains contained within the flow controller package.

After completely flushing, target a loop pressure between 50 and 75 psi (345 to 517 kPa) for sufficient pressure for all seasons.

**Figure 19: Valve Position D – Pressurize and Operation**



## PRESSURIZE AND OPERATE

Close the flush cart return valve to pressurize the loop to at least 50 psi (345 kPa) as shown in the **Valve Position D – Pressurize and Operation** figure. Do not exceed 75 psi (517 kPa). Open the isolation valve to the expansion tank and bleed air from the expansion tank piping using the Schrader valve located in front of the expansion tank. This allows loop pressure to compress the expansion tank bladder and charges the expansion tank with liquid. After pressurizing, close the flush cart supply valve to isolate the flush cart. Move the flow controller valves to Position D.

Before unit operation, verify that installed strainers are clean and free of any debris from loop flushing.

### ⚠ ATTENTION

It is recommended to run the unit in the cooling, then heating mode for 15-20 minutes each to 'temper' the fluid temperature and prepare it for pressurization. This procedure helps prevent the periodic "flat" loop condition of no pressure.

# Ground-Loop Heat Pump Antifreeze Charging

Models:  
MZ  
024-060

## GROUND-LOOP ANTIFREEZE CHARGING

It is highly recommended to utilize premixed antifreeze fluid where possible to ensure proper concentration levels.

The following procedure is based on pure antifreeze and can be implemented during the Full Flush procedure with three-way valves as shown in the **Valve Position C – Full Flush** figure. When using a premixed mixture of 15°F (-9.4°C) freeze protection, you can fill and flush the system with the premix directly to prevent handling pure antifreeze during installation.

### WARNING

Always use properly marked vehicles (D.O.T. placards), and clean/suitable/properly identified containers for handling flammable antifreeze mixtures. Post and advise those on the job site of chemical use and potential dangers of handling and storage

### WARNING

Always dilute alcohols with water (at least 50% solution) before using. Alcohol fumes are flammable and can cause serious injury or death if not handled properly.

When handling methanol (or any alcohol), always wear eye protection and rubber gloves as alcohols are easily absorbed through the skin.

### CAUTION

Always obtain MSDS safety sheets for all chemicals used in ground loop applications including chemicals used as antifreeze.

### ATTENTION

DO NOT use automotive windshield washer fluid as antifreeze. Washer fluid contains chemicals that will cause foaming.

1. Flush loop until all air has been purged from system and pressurize to check for leaks before adding any antifreeze.
2. Run discharge line to a drain and hook up antifreeze drum to suction side of pump (if not adding below water level through approved container). Drain flush cart reservoir down to pump suction inlet so reservoir can accept the volume of antifreeze to be added.
3. Use the **Fluid Volume** table to calculate the total fluid volume of the loop. Next, calculate the amount of antifreeze needed using the **Antifreeze Percentage by Volume** table to determine appropriate freeze-protection level. Many southern applications require freeze protection because of piping exposed to ambient conditions.
4. Isolate the unit and prepare to flush only through loop (see the **Valve Position A – Loop Fill/Flush** figure). Start the flush cart and gradually introduce the required amount of liquid to the flush cart tank until attaining the proper antifreeze protection. Always introduce alcohols under water or use suction of pump to draw in directly to prevent fuming. The rise in flush reservoir level indicates amount of antifreeze added (some carts are marked with measurements in gallons or liters). A 10-inch-diameter (25.4 cm) cylinder, 3-foot (91.4 cm) tall holds approximately 8-gallons (30.3 liters) of fluid, plus the hoses, approximately two gallons (7.6 liters), which equals about 10 gallons (37.9 liters) total. If more than one tank full is required, immediately drain the tank by opening the waste valve of the flush cart. Note the color of the discharge fluid. Add food coloring to the antifreeze to help indicate where the antifreeze is in the circuit and prevent the dumping of antifreeze out the waste port. Repeat if necessary.
5. Take care when handling methanol (or any alcohol). Always wear eye protection and rubber gloves. Alcohol fumes are flammable and care should be taken with all flammable liquids. Open flush valves to flush through both the unit and the loop, then flush until fluid is homogeneous. It is recommended to run the unit in the heating and cooling mode for 15-20 minutes each to temper the fluid temperature and prepare it for pressurization. Use this period to clean the area. This procedure helps prevent the periodic “flat” loop condition.
6. Close the flush cart return valve then immediately close the flush cart supply valve, leaving a positive pressure in the loop of approximately 50 psi (345 kPa). Pressure check the system. Check the freeze protection of the fluid with the proper hydrometer to ensure that the correct amount of antifreeze is added to the system. Place the hydrometer into the flush reservoir then compare the reading to the following figures to determine the level of freeze protection:
  - **Methanol Specific Gravity**
  - **Propylene Glycol Specific Gravity**
  - **Ethanol Specific Gravity**

Models:  
MZ  
024-060

# Ground-Loop Heat Pump Antifreeze Charging

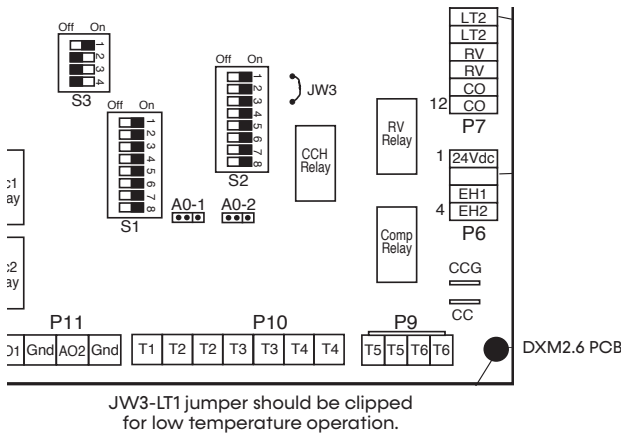
Do not antifreeze more than a +10°F (-12.2°C) freeze point. Specific gravity hydrometers are available in the residential price list. Repeat after reopening and flushing for a minute to ensure a good second sample of fluid. Inadequate antifreeze protection can cause nuisance low temperature lockouts during cold weather.

- Close the flush cart return valve then immediately close the flush cart supply valve and shut off the flush cart, leaving a positive pressure in the loop of approximately 50-75 psi (345-517 kPa). Refer to the **Valve Position D – Pressurize and Operation** figure.

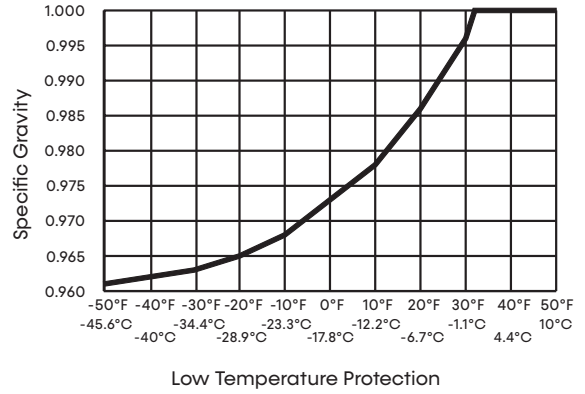
## LOW WATER TEMPERATURE CUTOUT SETTING – DXM2.6

When antifreeze is selected, clip the LT1 jumper (JW3) to select the low temperature (antifreeze 10°F [-12.2°C]) set point and avoid nuisance faults (see the *Low Water Temperature Cutout Selection* section in this manual).

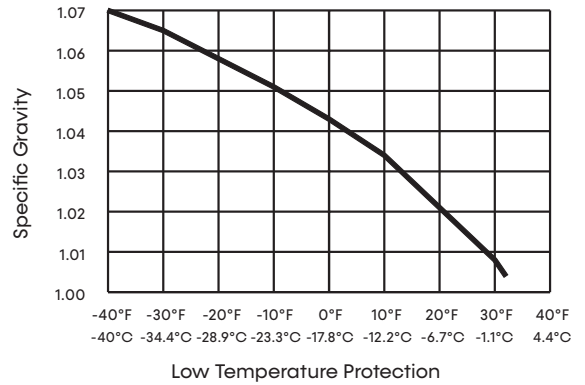
**Figure 20: Low Temperature Cutout Selection**



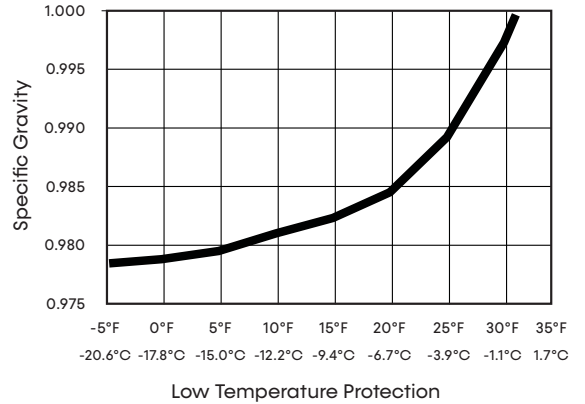
**Figure 21: Methanol Specific Gravity**



**Figure 22: Propylene Glycol Specific Gravity**



**Figure 23: Ethanol Specific Gravity**



**Table 3: Antifreeze Percentages by Volume**

| Type                                 | Minimum Temperature for Low Temperature Protection |               |               |               |
|--------------------------------------|--|---------------|---------------|---------------|
|                                      | 10°F (-12.2°C)                                     | 15°F (-9.4°C) | 20°F (-6.7°C) | 25°F (-3.9°C) |
| Methanol                             | 21%  | 17%           | 13%           | 8%            |
| 100% USP food grade Propylene Glycol | 29%  | 24%           | 18%           | 12%           |
| Ethanol <sup>1</sup>                 | 23%  | 20%           | 16%           | 11%           |

1. Must not be denatured with any petroleum based product

# Ground-Loop Heat Pump Multiple-Unit Piping and Flushing

Models:  
MZ  
024-060

Often projects require more than one heat pump. Where possible, it is recommended to use a common ground loop with multiple units. Common ground loops with multiple units bring new challenges, including the need to avoid backward flow through inactive units, increase pumping requirements, and more complex flushing needs. Three types of multi-unit systems are described below with guidelines for installation of each type.

Variable Water Flow internal variable flow technology improves efficiency and longevity for multi-unit systems. Variable Water Flow is available in three different configurations:

- Internal variable-speed pump
- Internal modulating valve for closed loops
- Internal modulating valve for open loops

**Never use the high head internal modulating valve for open loops with closed loop systems.**

The internal variable-speed pump version of Variable Water Flow includes an internal variable-speed circulator controlled by the DXM2.6, internal three-way flushing valves, an internal bladder type expansion tank, and front-mounted pressure ports that allow access only to the pressure drop across the coaxial heat exchanger. The internal expansion tank operates as a pressure battery for the geothermal system. It absorbs fluid from the loop when loop pressure rises and injects fluid into the loop when loop pressure falls. This expansion tank helps to maintain constant loop pressure and avoids flat loops due to seasonal pressure changes in the loop.

When using the internal variable-speed pump as the loop pump in multi-unit installations, it is important to ensure that the variable-speed pump provides adequate flow through the heat pump against the loop head when all units are operating.

Do not combine units with the standard head pump with units with high head pumps on the same loop. Standard head pumps are best suited for small applications with a single unit.

It is possible to flush a multi-unit system through the unit's flushing valves with suitable equipment. Calculate the valve's flushing pressure drop to determine if it is acceptable. Find engineering data for the three-way flushing valves in the **Internal Three-Way Flushing Valve Data** table.

**Table 4: Internal Three-Way Flushing Valve Data**

| Model       | Flushing Connection | Straight Flow $C_v$ | 90° Flow $C_v$ |
|-------------|---------------------|---------------------|----------------|
| MZ024 - 042 | 3/4" FPT            | 25                  | 10.3           |
| MZ048 - 060 | 1" FPT              | 58                  | 14.5           |

For example, if a system includes two 2-ton units and four 3/4-loop circuits, calculate the flushing pressure drop as follows:

Using the data provided in the **Internal Three-Way Flushing Valve Data** table, 4 gpm is required to flush each 3/4-inch circuit. If there is no provision to isolate the circuits for flushing, flush with a minimum of four circuits x 4 gpm/circuit = 16 gpm total. Verify the other pipe sizes used to ensure that 16 gpm total flow is sufficient to flush all piping.

Calculate pressure drop through the flushing valve using the following formula:

$$\Delta P = (GPM/C_v)^2 \text{ where,}$$

$$\Delta P = \text{pressure drop in psi through the valve while flushing}$$

$$GPM = \text{flushing flow in gallons per minute}$$

$$C_v = \text{valve } C_v \text{ in flushing mode}$$

The **Internal Three-Way Flushing Valve Data** table details that the  $C_v$  for the flushing valve in a MZ024 is 10.3 in the flushing mode (90° flow). Therefore,  $\Delta P = (GPM/C_v)^2 = (16/10.3)^2 = 2.4$  psi (5.54 ft hd) per valve (there are two flushing valves). As long as the flushing pump is capable of providing 16 gpm at the flushing pressure drop of the loop plus the  $2.4 \times 2$  valves = 4.8 psi (11.09 ft hd) of the flushing valves, use the internal flushing valves. If the flushing pump is not able to overcome the pressure drop of the internal flushing valves, use larger external flushing valves.

Models:  
MZ  
024-060

# Ground-Loop Heat Pump Multiple-Unit Piping and Flushing

## UNIT CONFIGURATION

The VS PUMP PARALLEL configuration is required for multiple Variable Water Flow units with internal variable-speed flow controllers and check valves piped in parallel and sharing a common loop. Find and configure VS PUMP PARALLEL in the Wireless Service Tool's **Unit Configuration** menu:

**Unit Configuration**

**Board Name**  
DXM2.6

**Heat Pump Family**  
MZ

**Heat Pump Size**  
036

**Blower Type**  
ECM

**Loop Configuration**  
VS Loop Pump w/ Parallel

## MULTIPLE UNITS WITH INTERNAL FLOW CONTROLLERS

The simplest multi-unit systems consist of internal flow controllers without external pumps or external flushing valves. The units are piped in parallel and use the internal flushing valves for system flushing. The variable-speed pump includes an internal check valve to prevent back flow (short circuiting) through the units.

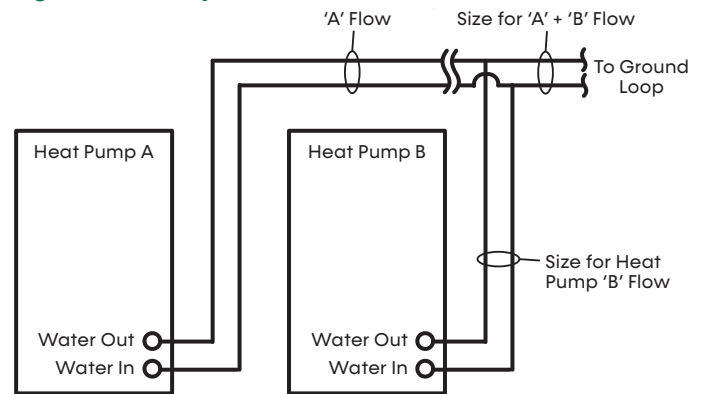
In this configuration, begin by flushing the unit farthest from the loop using the internal flushing valves. After the loop is flushed, change the internal flushing valves to flush the heat pump. Next, move the flushing cart to the next closest unit to the loop.

Flush the loop through the internal flushing valves. This is important as there may be air and debris in the lines from this unit to the common piping. After flushing starts, flush the air moved into the loop. After

the loop is flushed through the second unit, change the flushing valves to flush the second unit. Repeat this process for additional units. Always begin with the unit farthest from the loop and end with the unit closest to the loop.

Use this flushing application for systems up to 12 tons, depending on loop design. It is important to perform appropriate calculations to confirm that the variable-speed pump provides adequate flow through all heat pumps.

**Figure 24: Multiple Units with Internal Flow Controllers**



## MULTIPLE UNITS WITH INTERNAL FLOW CONTROLLERS AND EXTERNAL FLUSHING VALVES

When the number of units or flushing requirements reaches a point where it is no longer feasible to flush through the internal valves, install external flushing valves. In this configuration, use three-way flushing valves or install additional isolation valves to isolate the loop during flushing.

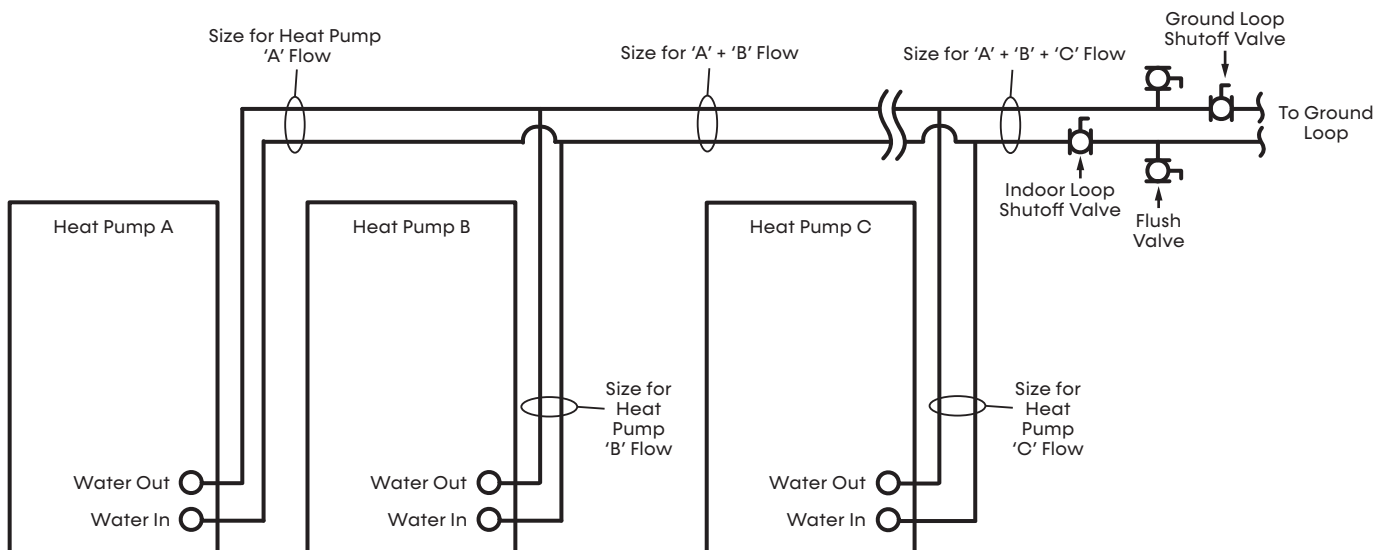
First, flush the ground loop. Close the indoor-loop shutoff valve (or the internal flushing valves in all units) and open the ground-loop shutoff valve to prevent flow through the indoor loop while flushing the ground loop.

After the ground loop is flushed, close the ground-loop shutoff valve and open the indoor-loop valve(s) to flush the units and indoor piping. Remember that there is an internal check valve in the variable-speed pump and that backward flow the unit is not possible.

# Ground-Loop Heat Pump Multiple-Unit Piping and Flushing

Models:  
MZ  
024-060

**Figure 25: Multiple Units with Internal Flow Controllers and External Flushing Valves**



## MULTIPLE UNITS WITH INTERNAL MODULATING VALVES AND CENTRAL PUMP

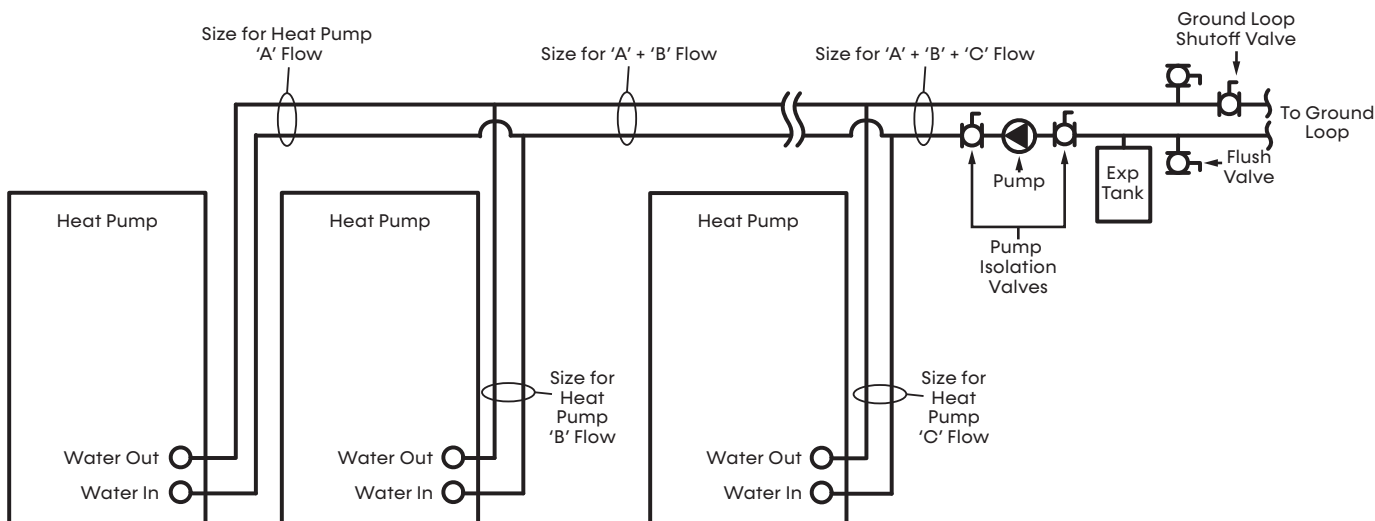
In this configuration, multiple units are used in conjunction with a central variable-speed pump and units with closed-loop modulating valves are used. **NOTE: Do not use open-loop modulating valves on a closed-loop system.** External flushing valves are required. This application is for larger systems, including commercial.

Before flushing, manually open all modulating valves as detailed in Closed Loop – External Central Pumping section of this manual. Next, flush the ground loop.

Close a pump-isolation valve and open the ground-loop shutoff valve to prevent flow through the indoor loop while flushing the ground loop.

After the ground loop is flushed, close the ground-loop shutoff valve and open the pump-isolation valve to flush the units and indoor piping. After the system is flushed, remember to return the modulating valves to their normal operating position.

**Figure 26: Multiple Units with Internal Modulating Valves and Central Pump**



Models:  
MZ  
024-060

# Applications

## Ground-Water Heat Pump

### OPEN LOOP: GROUND WATER SYSTEMS

Typical open loop piping is shown in accompanying illustration. Shut off valves should be included for ease of servicing. Boiler drains or other valves should be “tee’d” into the lines to allow acid flushing of the heat exchanger. Shut off valves should be positioned to allow flow through the coax via the boiler drains without allowing flow into the piping system. P/T plugs should be used with units that do not include Variable Water Flow so that flow can be measured using the pressure drop of the unit heat exchanger. Units equipped with any of the four Variable Water Flow configurations have built in Schrader ports. Water temperature may be viewed with myUplink. Supply and return water piping should be limited to copper, HPDE, or other acceptable high temperature material. **Note: PVC or CPVC material is not recommended as they are not compatible with the polyolester oil used in R-454B products.**

**Water quantity should be plentiful and of good quality.** Consult the **Water Quality Requirements** table for water quality guidelines and materials recommendations. The unit can be ordered with either a copper or cupro-nickel water heat exchanger. Copper is recommended for closed loop systems and open loop ground water systems that are not high in mineral content or corrosiveness. In conditions anticipating heavy scale formation or in brackish water, a cupro-nickel heat exchanger is recommended. In ground water situations where scaling could be heavy or where biological growth such as iron bacteria will be present, an open loop system is not recommended. Heat exchanger coils may lose heat-exchange capabilities over time due to build up of mineral deposits. Heat exchangers must only be serviced by a qualified technician, as special cleaning solutions and pumping equipment are required. Desuperheater coils can likewise become scaled and possibly plugged. In areas with extremely hard water, the owner should be informed that the heat exchanger may require occasional flushing using an appropriate cleaning solution. In some cases, the desuperheater option should not be recommended due to hard water conditions and additional maintenance required.

### WARNING

Polyolester Oil, commonly known as POE oil, is a synthetic oil used in many refrigeration systems including those with R-454B refrigerant. POE oil, if it ever comes in contact with PVC or CPVC piping, may cause failure of the PVC/CPVC. PVC/CPVC piping should never be used as supply or return water piping with water-source heat pump products containing R-454B as system failures and property damage may result.

### WATER QUALITY REQUIREMENTS

Consult the **Water Quality Requirements** table for water quality requirements. Scaling potential should be assessed using the pH/Calcium hardness method. If the pH <7.5 and the calcium hardness is less than 100 ppm, scaling potential is low. If this method yields numbers out of range of those listed, the Ryznar Stability and Langelier Saturation indices should be calculated. Use the appropriate scaling surface temperature for the application, 150°F [66°C] for direct use (well water/open loop) and DHW (desuperheater); 90°F [32°F] for indirect use. A monitoring plan should be implemented in these probable scaling situations. Refer to the Water Quality Requirements table for other water quality issues such as iron fouling, corrosion prevention and erosion and clogging.

### EXPANSION TANK AND PUMP

Use a closed, bladder-type expansion tank to minimize mineral formation due to air exposure. The expansion tank should be sized to provide at least one minute continuous run time of the pump using its drawdown capacity rating to prevent pump short cycling. Discharge water from the unit is not contaminated in any manner and can be disposed of in various ways, depending on local building codes (e.g. recharge well, storm sewer, drain field, adjacent stream or pond, etc.). Most local codes forbid the use of sanitary sewer for disposal. Consult your local building and zoning department to assure compliance in your area.

The pump should be sized to handle the home’s domestic water load (typically 5-9 gpm [23-41 l/m]) plus the flow rate required for the heat pump. Pump sizing and expansion tank must be chosen as complimentary items. For example, an expansion tank that is too small can cause premature pump failure due to short cycling. Variable speed pumping applications should be considered for the inherent energy savings and smaller pressure tank requirements.

# Applications

## Ground-Water Heat Pump

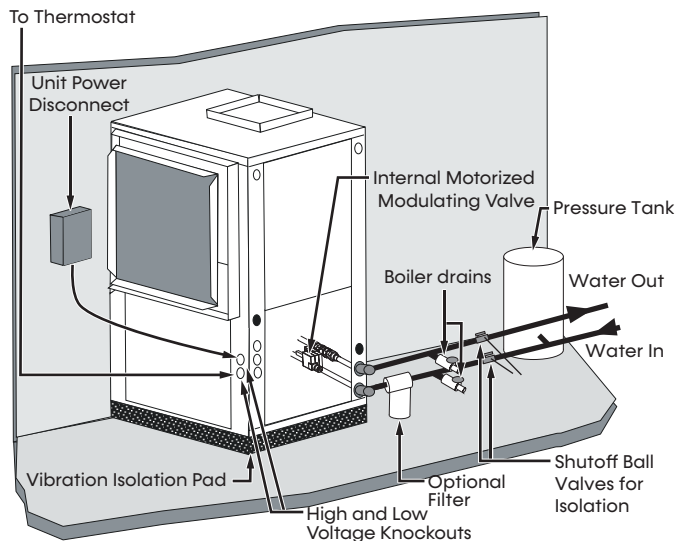
Models:  
MZ  
024-060

### FLOW REGULATION: UNITS WITHOUT VARIABLE WATER FLOW

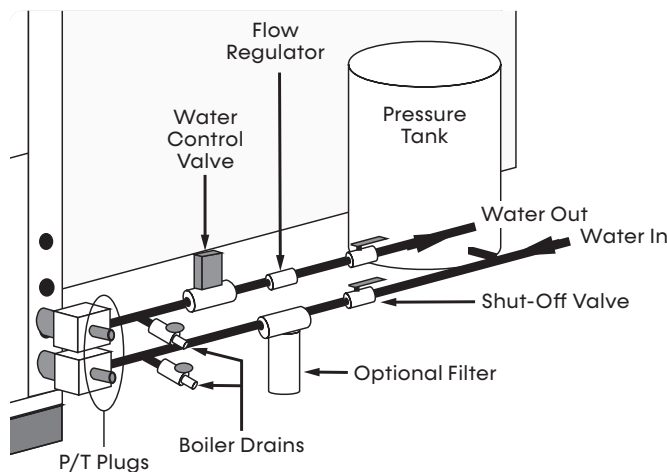
Flow regulation can be accomplished by two methods. One method of flow regulation involves simply adjusting the ball valve or water control valve on the discharge line. Measure the pressure drop through the unit heat exchanger, and determine flow rate from the **MZ Series Typical Unit Operating Pressures and Temperatures** tables. Since the pressure is constantly varying, two pressure gauges may be needed. Adjust the valve until the desired flow of 1.5 to 2 gpm per ton (2.0 to 2.6 l/m per kW) is achieved. A second method of flow control requires a flow control device mounted on the outlet of the water control valve. The device is typically a brass fitting with an orifice of rubber or plastic material that is designed to allow a specified flow rate. On occasion, flow control devices may produce velocity noise that can be reduced by applying some back pressure from the ball valve located on the discharge line. Slightly closing the valve will spread the pressure drop over both devices, lessening the velocity noise.

**NOTE: When EWT is below 50°F (10°C), 2 gpm per ton (2.6 l/m per kW) is required.**

**Figure 27: Typical Open Loop/Well (shown with internal modulating water valve)**



**Figure 28: Typical Open Loop/Well Application without Variable Water Flow**



Models:  
MZ  
024-060

# Water Quality Requirements

**Table 5: Water Quality Requirements**

Clean water is essential to the performance and life span of water-source heat pumps. Contaminants, chemicals, and minerals all have the potential to cause damage to the water heat exchanger if not treated properly. All closed water loop systems should undergo water quality testing and be maintained to the water quality standards listed in this table.

| Water Quality Requirements<br>For Closed-Loop and Open-Loop Systems   |                                      |                                  |                                    |   |                                      |   |                               |
|---|--------------------------------------|----------------------------------|------------------------------------|---|--------------------------------------|---|-------------------------------|
|   | Description                          | Symbol                           | Units                              | Heat Exchanger Type   |                                      |   |                               |
|   |                                      |                                  |                                    | Closed Loop<br>Recirculating                                      |                                      | Open Loop, Tower, Ground<br>Source Well |                               |
|   |                                      |                                  |                                    | All Heat<br>Exchanger<br>Types                                    | Coaxial HX<br>Copper<br>Tube in Tube | Coaxial HX<br>Cupronickel               | Brazed-<br>Plate HX<br>316 SS |
| Scaling Potential   | pH - Chilled Water <85°F             |                                  |                                    | 7.0 to 9.0  | 7.0 to 9.0                           | 7.0 to 9.0                              | 7.0 to 9.0                    |
|   | pH - Chilled Water >85°F             |                                  |                                    | 8.0 to 10.0   | 8.0 to 10.0                          | 8.0 to 10.0                             | 8.0 to 10.0                   |
|   | Alkalinity                           | (HCO <sub>3</sub> <sup>-</sup> ) | ppm - CaCO <sub>3</sub> equivalent | 50 to 500   | 50 to 500                            | 50 to 500                               | 50 to 500                     |
|   | Calcium                              | (Ca)                             | ppm                                | <100  | <100                                 | <100                                    | <100                          |
|   | Magnesium                            | (Mg)                             | ppm                                | <100  | <100                                 | <100                                    | <100                          |
|   | Total Hardness                       | (CaCO <sub>3</sub> )             | ppm - CaCO <sub>3</sub> equivalent | 30 to 150   | 150 to 450                           | 150 to 450                              | 150 to 450                    |
|   | Langelier Saturation Index           | LSI                              |                                    | -0.5 to +0.5  | -0.5 to +0.5                         | -0.5 to +0.5                            | -0.5 to +0.5                  |
|   | Ryznar Stability Index               | RSI                              |                                    | 6.5 to 8.0  | 6.5 to 8.0                           | 6.5 to 8.0                              | 6.5 to 8.0                    |
| Corrosion Prevention  | Total Dissolved Solids               | (TDS)                            | ppm - CaCO <sub>3</sub> equivalent | <1000   | <1000                                | <1000                                   | <1000                         |
|   | Sulfate                              | (SO <sub>4</sub> <sup>2-</sup> ) | ppm                                | <200  | <200                                 | <200                                    | <200                          |
|   | Nitrate                              | (NO <sub>3</sub> <sup>-</sup> )  | ppm                                | <100  | <100                                 | <100                                    | <100                          |
|   | Chlorine (free)                      | (Cl)                             | ppm                                | <0.5  | <0.5                                 | <0.5                                    | <0.5                          |
|   | Chloride (water < 80°F)              | (Cl <sup>-</sup> )               | ppm                                | <20   | <20                                  | <150                                    | <150                          |
|   | Chloride (water > 120°F)             | (Cl <sup>-</sup> )               | ppm                                | <20   | <20                                  | <125                                    | <125                          |
|   | Hydrogen Sulfide <sup>a</sup>        | (H <sub>2</sub> S)               | ppb                                | <0.5  | <0.5                                 | <0.5                                    | <0.5                          |
|   | Carbon Dioxide                       | (CO <sub>2</sub> )               | ppm                                | 0   | <50                                  | 10 to 50                                | 10 to 50                      |
|   | Iron Oxide                           | (Fe)                             | ppm                                | <1.0  | <1.0                                 | <1.0                                    | <0.2                          |
|   | Manganese                            | (Mn)                             | ppm                                | <0.4  | <0.4                                 | <0.4                                    | <0.4                          |
|   | Ammonia                              | (NH <sub>3</sub> )               | ppm                                | <0.05   | <0.1                                 | <0.1                                    | <0.1                          |
|   | Chloramine                           | (NH <sub>2</sub> CL)             | ppm                                | 0   | 0                                    | 0                                       | 0                             |
| Fouling & Biological  | Iron bacteria                        |                                  | cells/mL                           | 0   | 0                                    | 0                                       | 0                             |
|   | Slime-forming bacteria               |                                  | cells/mL                           | 0   | 0                                    | 0                                       | 0                             |
|   | Sulfate-reducing bacteria            |                                  | cells/mL                           | 0   | 0                                    | 0                                       | 0                             |
|   | Suspended Solids <sup>b</sup>        | (TSS)                            | ppm                                | <10   | <10                                  | <10                                     | <10                           |
| Electrolysis<br>All HX types  | Earth Ground Resistance <sup>x</sup> |                                  | Ohms                               | Consult NEC and local electrical codes for grounding requirements |                                      |   |                               |
|   | Electrolysis Voltage <sup>d</sup>    |                                  | mV                                 | Measure voltage and internal water loop to HP ground              |                                      |   |                               |
|   | Leakage Current <sup>d</sup>         |                                  | mA                                 | Measure current in water loop pipe                                |                                      |   |                               |
| Building Primary Electrical Ground to unit, must meet local diameter and penetration length requirements.<br>Do not connect heat pump to steel pipe unless dissimilar materials are separated by using Di-electric unions.<br>Galvanic corrosion of heat pump water pipe will occur |                                      |                                  |                                    |   |                                      |   |                               |

## Water Quality Requirements

1. The **Water Quality Requirements** table provides water quality requirements for coaxial and brazed-plate heat exchangers.
2. The water must be evaluated by an independent testing facility comparing site samples against this table. When water properties are outside of these parameters, the water must either be treated by a professional water treatment specialist to bring the water quality within the boundaries of this specification, or an external secondary heat exchanger must be used to isolate the heat pump water system from the unsuitable water. Failure to do so will void the warranty of the heat pump system and will limit liability for damage caused by leaks or system failure.
3. Regular sampling, testing and treatment of the water is necessary to assure that the water quality remains within acceptable levels thereby allowing the heat pump to operate at optimum levels.
4. If closed-loop systems are turned off for extended periods, water samples must be tested prior to operating the system.
5. For optimal performance, it is recommended that the closed-loop piping systems are initially filled with deionized water.
6. Well water with chemistry outside of these boundaries, and salt water or brackish water requires an external secondary heat exchanger. Surface/Pond water should not be used.
7. If water temperature is expected to fall below 40°F (4.4°C), antifreeze is required. Refer to the heat pump IOM for the correct solution ratios to prevent freezing.
  - α Hydrogen sulfide has an odor of rotten eggs. If one detects this smell, a test for H<sub>2</sub>S must be performed. If H<sub>2</sub>S is detected above the limit indicated, remediation is necessary. Consult with your water testing/treatment professional. If a secondary heat exchanger is required, use appropriate materials as recommended by the heat exchanger supplier.
  - β Suspended solids and particulates must be filtered to prevent fouling and failure of heat exchangers. Strainers or particulate filters must be installed to provide a maximum particle size of 600 micron (0.60 mm, 0.023 inch) using a 20 to 30 mesh screen size. When a loop is installed in areas with fine material such as sand or clay, further filtration is required to a maximum of 100 micron. Refer to the Strainer / Filter Sizing Chart to capture the particle sizes encountered on the site.
  - χ The WSHP piping system or other plumbing pipes must not be used as the building ground. An electrical grounding system using a dedicated ground rod meeting NEC and local electrical codes must be installed.
  - δ Refer to the **Antifreeze Percentages by Volume** table for instructions on measuring resistance and leakage currents within water loops.

**Strainer / Filter Sizing**

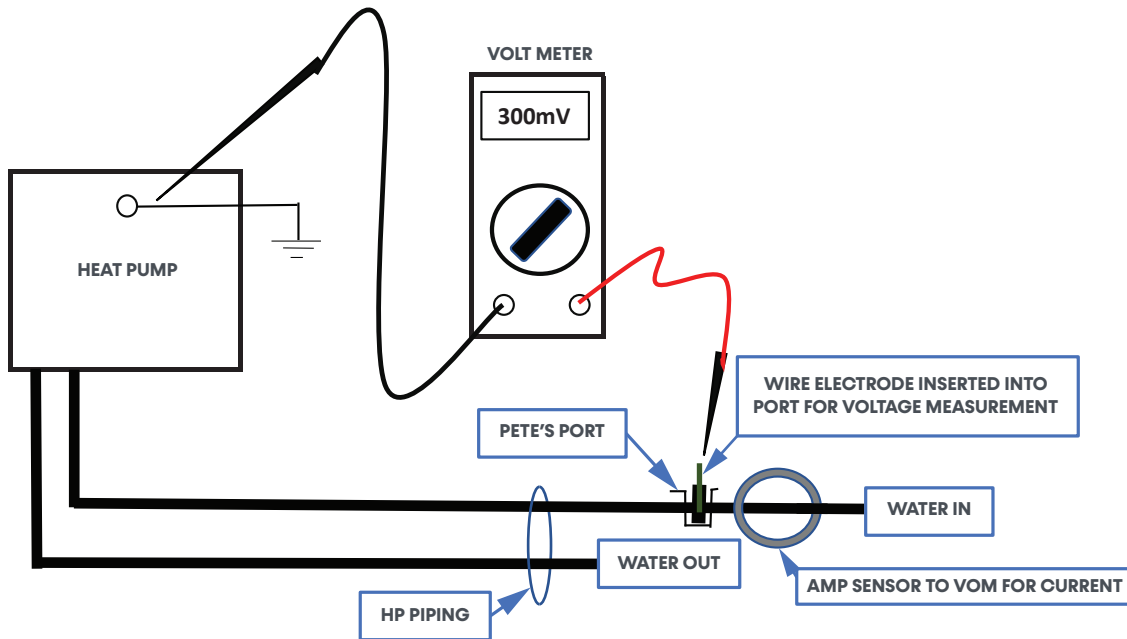
| Mesh Size | Particle Size |            |        |
|-----------|---------------|------------|--------|
|           | Microns       | Millimeter | Inch   |
| 20        | 840           | 0.840      | 0.0340 |
| 30        | 533           | 0.533      | 0.0210 |
| 60        | 250           | 0.250      | 0.0100 |
| 100       | 149           | 0.149      | 0.0060 |
| 150       | 100           | 0.100      | 0.0040 |
| 200       | 74            | 0.074      | 0.0029 |

- ppm = parts per million
- ppb = parts per billion

Models:  
MZ  
024-060

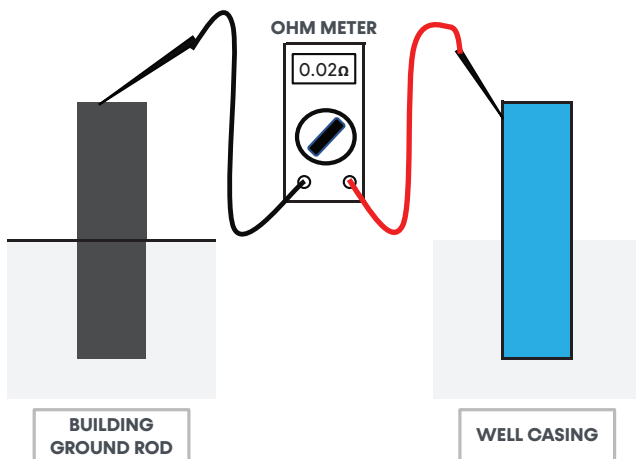
## Water Quality Requirements

### Measuring Electrolysis, Voltage, and Current for Ground-Water Applications



- Measure the electrolysis voltage using a volt meter between the heat pump ground and a #14 AWG solid copper wire electrode inserted into the water using a Pete's style access port.
- The heat pump must be operating and the water stream flowing.
- The voltage measured should be less than 300mV (0.300V). If the voltage is higher than 500mV, electrolysis occurs resulting in corrosion.
- If voltage is measured, the cause is a high-resistance earth ground or current on the neutral conductor. Remedial measures should be performed.
- Measure the current flowing through the piping system by using an amp clamp probe on the water-in line. The heat pump must be operating and the water stream flowing.
- There should be zero amps measured. If current is present, there is leakage current to the plumbing system and it must be rectified to prevent pipe corrosion.

### Measuring Earth Ground Resistance



- Measure the earth ground bond using an Ohm meter between the building's ground rod and the steel well casing.
- The resistance measured should be zero Ohms. The NEC allows a resistance to ground up to 20 Ohms. Any resistance above zero indicates a poor earth ground, which may be the result of a hot neutral line or that conductive water is present. Both of these may lead to electrolysis and corrosion of the heat pump piping. A check for both should be performed and resolved.

**NOTE: If the well casing is plastic, create a conductive path by inserting a #6 AWG bare copper wire into the well water. Remove the temporary conductor when finished.**

## Hot Water Generator

The Hot Water Generator (HWG) or desuperheater option provides considerable operating-cost savings by utilizing heat energy from the compressor discharge line to help satisfy domestic hot water requirements. The HWG is active throughout the year, providing virtually free hot water when the heat pump operates in the cooling mode or hot water at the COP of the heat pump during operation in the heating mode. Actual HWG water-heating capacities are provided in the appropriate heat pump performance data.

Heat pumps equipped with the HWG option include a built-in water-to-refrigerant heat exchanger that eliminates the need to tie into the heat pump's refrigerant circuit in the field. The control circuit and pump are also built in for residential equipment. Refer to figure **Typical HWG Installation** for an example of typical HWG water piping connections on a unit with built-in circulating pump. This piping layout prevents sludge/debris from the bottom of the tank being pulled into the HWG pump. **Due to high water temperature and potable water pressure, only use copper piping.**

The temperature setpoint of the HWG is field selectable to 125°F or 150°F. The 150°F setpoint allows more heat storage from the HWG. For example, consider the amount of heat that can be stored by the HWG when using the 125°F setpoint, versus the amount of heat that can be generated by the HWG when using the 150°F setpoint.

In a typical 50-gallon two-element electric water heater, the lower element is turned down to 100°F, or the lowest setting, to get the most from the HWG. The tank eventually stratifies so that the lower 80% of the tank, or 40 gallons, becomes 100°F (controlled by the lower element). The upper 20% of the tank, or 10 gallons, is maintained at 125°F (controlled by the upper element).

### WARNING

A 150°F setpoint may lead to scalding or burns. The 150°F setpoint must only be used on systems that employ an approved anti-scald valve.

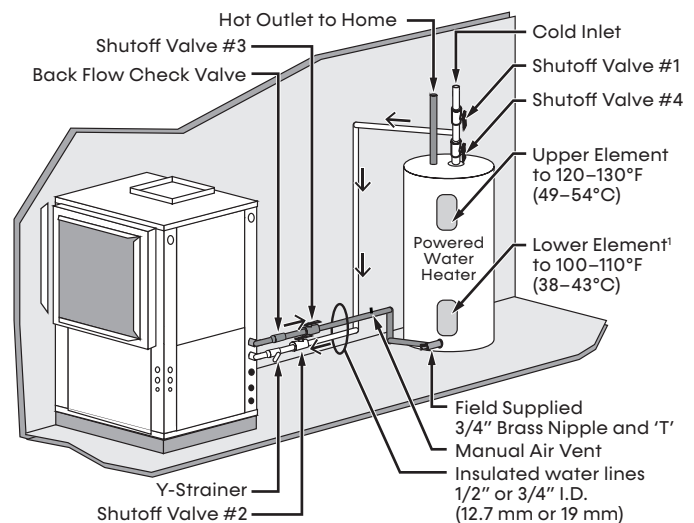
Using a 125°F setpoint, the HWG heats the lower 40 gallons of water from 100°F to 125°F, providing up to 8,330 Btu's of heat. Using the 150°F setpoint, the HWG heats the same 40 gallons of water from 100°F to 150°F and the remaining 10 gallons of water from 125°F to 150°F, providing a total of up to 18,743 Btu's of heat, or more than twice as much heat as when using the 125°F setpoint.

Electric water heaters are recommended. If a gas, propane, or oil water heater is used, a second preheat tank is required. See the **Two-tank HWG Installation** figure for an example. If the electric water heater has only a single center element, the dual-tank system is recommended to ensure a usable entering water temperature for the HWG.

Typically a single tank of at least 50 gallons (189 liters) is used to limit installation costs and space. Dual tank systems are preferred as they provide the maximum storage and temperate source water to the HWG. See the **Two-tank HWG Installation** for an example.

It is always advisable to use water-softening equipment on domestic-water systems to reduce the scaling potential and lengthen equipment life. In extreme water conditions, it may be necessary to avoid the use of the HWG option since the potential cost of frequent maintenance may offset or exceed any savings. Use the **HWG Water Piping** table for scaling potential tests.

**Figure 29: Typical HWG Installation**

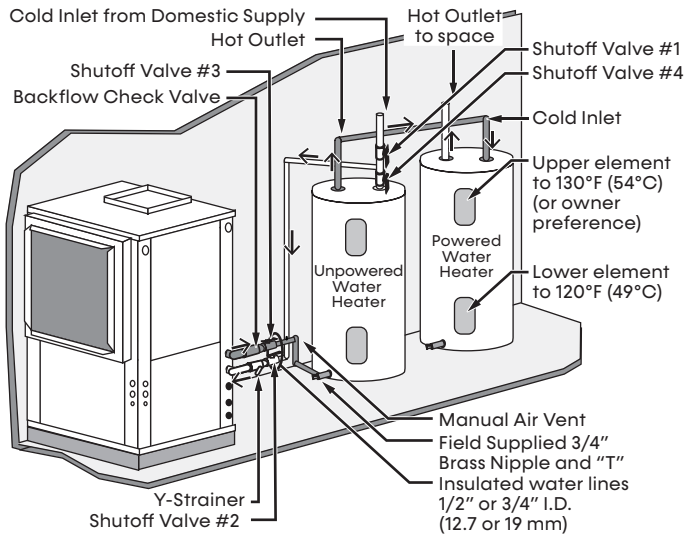


1. Lower element must be set below 110°F to prevent element from turning on when HWG pump circulates.

Models:  
MZ  
024-060

# Hot Water Generator

**Figure 30: Two-tank HWG Installation**



## INSTALLATION

The HWG is controlled by two sensors and the DXM2.6. One sensor is located on the compressor discharge line to sense the discharge refrigerant temperature. The other sensor is located on the HWG heat exchanger's "Water In" line to sense the potable water temperature.

DXM2.6 Advanced Communicating Controls monitors the refrigerant and water temperatures to determine when to operate the HWG. The HWG operates any time the refrigerant temperature is sufficiently above the water temperature. Once the HWG has satisfied the water heating demand during a heat pump run cycle, the controller cycles the pump at regular intervals to determine if an additional HWG cycle can be utilized.

When the control is powered and the HWG pump output is active for water temperature sampling or HWG operation, the DXM2.6 status LED slowly flashes (On 1 second, Off 1 second).

If the control detects a HWG fault, the DXM2.6 status LED flashes a numeric fault code as follows:

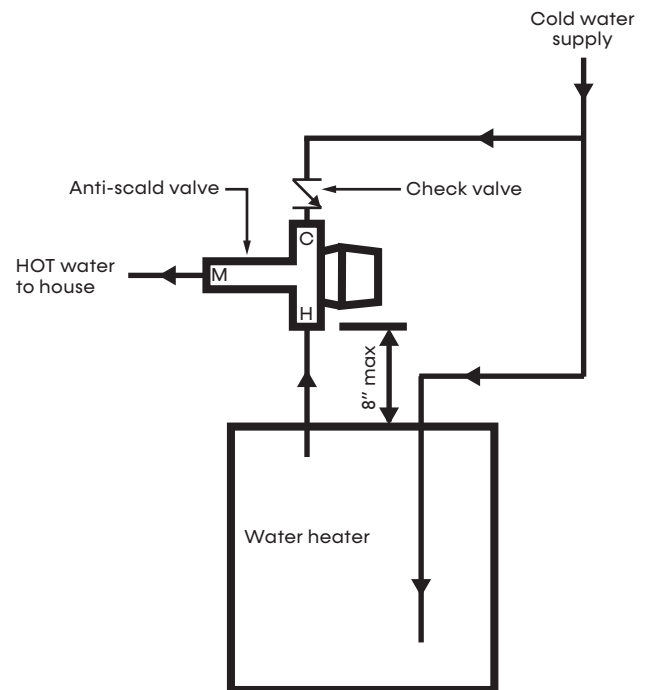
- High Water Temperature (> 160°F) (five flashes)
- Hot Water Sensor Fault (six flashes)
- Compressor Discharge Sensor Fault (six flashes)

Fault code flashes have a duration of 0.3 seconds with a 10-second pause between fault codes. For example, a Compressor Discharge Sensor Fault is six flashes 0.3 seconds long, then a 10 second pause, then six flashes again, etc.

### **WARNING**

Using 150°F setpoint on the HWG results in water temperatures sufficient to cause severe physical injury in the form of scalding or burns, even when the hot water tank temperature setting is visibly set below 150°F. The 150°F HWG setpoint must only be used on systems that employ an approved anti-scald valve (part number (AVAS4) at the hot water storage tank with such valve properly set to control water temperatures distributed to all hot water outlets at a temperature level that prevents scalding or burns.

**Figure 31: Anti-scald Valve Piping Connection**



# Hot Water Generator

- Hot Water Generator settings are determined by DIP switches 3-2, 3-3, and 3-4.
- DIP 3-2 controls the HWG Test Mode and provides for forced operation of the HWG output, activating the HWG pump for up to five minutes.
  - ON = HWG test mode,  
OFF = normal HWG operation.
  - The control reverts to standard operation after five minutes regardless of switch position.
- DIP 3-3 determines HWG setpoint temperature and provides for selection of the HWG operating setpoint.
  - ON = 150°F (66°C),  
OFF = 125°F (52°C)
- DIP 3-4 is for the HWG status and provides HWG operation control
  - ON = HWG mode enabled,  
OFF = HWG mode disabled
  - Units are shipped from the factory with this switch in the OFF position.

## ⚠ WARNING

The HWG pump is fully wired from the factory. Use extreme caution when working around the microprocessor control as it contains line voltage connections that presents a shock hazard that can cause severe injury or death.

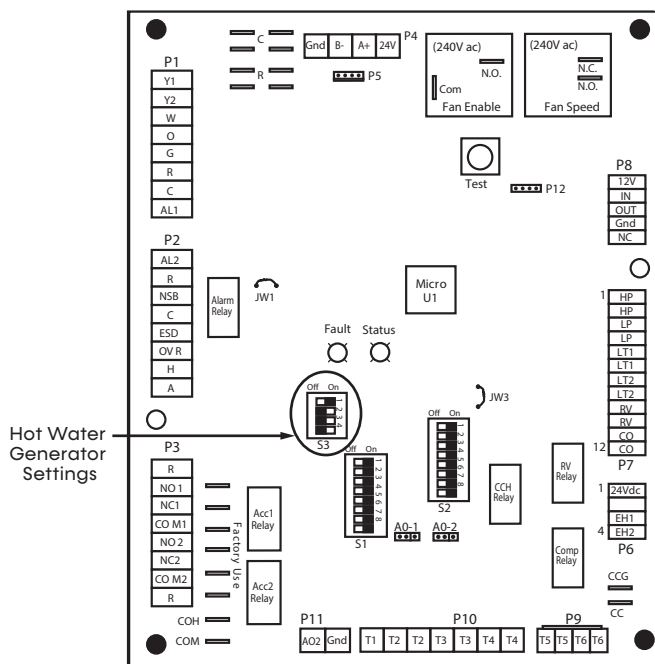
The heat pump, water piping, pump, and hot water tank should be located where the ambient temperature does not fall below 50°F (10°C). Keep water piping lengths at a minimum. DO NOT use a one-way length greater than 50 ft. (15 m). Refer to the table, **HWG Water Piping** for recommended piping sizes and maximum lengths.

All installations must be in accordance with local codes. The installer is responsible for knowing the local requirements, and for performing the installation accordingly. DO NOT activate the HWG (turn DIP 3-4 to the ON position) until Initial Startup section is completed. Powering the pump before all installation steps are completed will damage the pump.

## WATER TANK PREPARATION

1. Turn off power or fuel supply to the hot water tank.
2. Connect a hose to the drain valve on the water tank.
3. Shut off the cold water supply to the water tank.
4. Open the drain valve and open the pressure relief valve or a hot water faucet to drain tank.
5. When using an existing tank, it should be flushed with cold water after it is drained until the water leaving the drain hose is clear and free of sediment.
6. Close all valves and remove the drain hose.
7. Install HWG water piping.

**Figure 32: Hot Water Generator Settings**



Models:  
MZ  
024-060

# Hot Water Generator

## HWG WATER PIPING

- Using at least ½-inch (12.7-mm) I.D. copper, route and install the water piping and valves. Install an approved anti-scald valve if the 150°F HWG setpoint is or will be selected. An appropriate method must be employed to purge air from the HWG piping. This may be accomplished by flushing water through the HWG or by installing an air vent at the high point of the HWG piping system.
- Insulate all HWG water piping with no less than ¾-inch (10-mm) wall closed-cell insulation.
- Open both shutoff valves and make sure the tank drain valve is closed.

## WATER TANK REFILL

- Close valve #4. Ensure that the HWG valves (valves #2 and #3) are open. Open the cold water supply (valve #1) to fill the tank through the HWG piping. This will force water flow through the HWG and purge air from the HWG piping.
- Open a hot-water faucet to vent air from the system until water flows from faucet; turn off faucet. Open valve #4.
- Depress the hot water tank pressure relief valve handle to ensure that there is no air remaining in the tank.
- Inspect all work for leaks.
- Before restoring power or fuel supply to the water heater, adjust the temperature setting on the tank thermostat(s) to insure maximum utilization of the heat available from the refrigeration system and conserve the most energy. On tanks with both upper and lower elements and thermostats, the lower element should be turned down to 100°F (38°C) or the lowest setting; the upper element should be adjusted to 120-130°F (49-54°C). Depending upon the specific needs of the customer, you may want to adjust the upper element differently. On tanks with a single thermostat, use a preheat tank as shown in the figure, **Two-tank HWG Installation**.
- Replace access cover(s) and restore power or fuel supply.

## INITIAL STARTUP

- Make sure all valves in the HWG water circuit are fully open.
- Turn on the heat pump and allow it to run for 10-15 minutes.
- Set S3-4 to the “ON” position (enabled) to engage the HWG. Use the **Hot Water Generator Settings** figure for an example.
- The HWG pump should not run if the compressor is not running.
- The temperature difference between the water entering and leaving the HWG coil should be approximately 5-10°F (3-6°C).
- Allow the unit to operate for 20 to 30 minutes to ensure that it is functioning properly.

**Table 6: HWG Water Piping**

| Unit Nominal Tonnage | Nominal HWG Flow (gpm) | 1/2" Copper (max length') | 3/4" Copper (max length') |
|----------------------|------------------------|---------------------------|---------------------------|
| 2.0                  | 0.8                    | 50                        | -                         |
| 2.5                  | 1.0                    | 50                        | -                         |
| 3.0                  | 1.2                    | 50                        | -                         |
| 3.5                  | 1.4                    | 50                        | -                         |
| 4.0                  | 1.6                    | 45                        | 50                        |
| 5.0                  | 2.0                    | 25                        | 50                        |
| 6.0                  | 2.4                    | 10                        | 50                        |

1. Maximum length is equivalent length (in feet) one way of type L copper.

### WARNING

Use only copper piping for HWG piping due to the potential of high water temperatures for water that has been in the HWG heat exchanger during periods of no-flow conditions (HWG pump not energized). Piping other than copper may rupture due to high water temperature and potable water pressure. CPVC, PEX, or other plastic pipe should not be used HWG piping.

# Electrical Data

## CV EC Blower Motor

Models:  
MZ  
024-060

### Units with HWG and Pump (no Internal Flow Controller)

| Model | Voltage Code | Voltage      | Voltage Min/Max | Compressor |      |       |     | Fan Motor FLA | Pump    |      | Total Unit FLA | Min Circ Amp | Fuse HACR |
|-------|--------------|--------------|-----------------|------------|------|-------|-----|---------------|---------|------|----------------|--------------|-----------|
|       |              |              |                 | MCC        | RLA  | LRA   | Qty |               | HWG FLA | FLA  |                |              |           |
| MZ024 | G.J.         | 208/230-1-60 | 187/252         | 16.0       | 10.3 | 62.0  | 1   | 4.2           | 0.28    | 14.7 | 17.3           | 25           |           |
| MZ030 | G.J.         | 208/230-1-60 | 187/252         | 22.7       | 14.6 | 82.0  | 1   | 4.2           | 0.28    | 19.0 | 22.7           | 35           |           |
| MZ036 | G.J.         | 208/230-1-60 | 187/252         | 22.7       | 14.6 | 76.0  | 1   | 5.9           | 0.28    | 20.7 | 24.4           | 35           |           |
| MZ042 | G.J.         | 208/230-1-60 | 187/252         | 28.4       | 18.2 | 106.0 | 1   | 5.9           | 0.28    | 24.4 | 28.9           | 45           |           |
| MZ048 | G.J.         | 208/230-1-60 | 187/252         | 28.6       | 18.3 | 138.0 | 1   | 5.9           | 0.28    | 24.5 | 29.1           | 45           |           |
| MZ060 | J.           | 208/230-1-60 | 187/252         | 34.8       | 22.3 | 149.0 | 1   | 7.5           | 0.28    | 30.1 | 35.7           | 50           |           |

### Units with Internal Flow Controller and HWG with Pump - High Head Variable Pump

| Model | Voltage Code | Voltage      | Voltage Min/Max | Compressor |      |       |     | Fan Motor FLA | Pump      |         | Total Unit FLA | Min Circ Amp | Fuse HACR |
|-------|--------------|--------------|-----------------|------------|------|-------|-----|---------------|-----------|---------|----------------|--------------|-----------|
|       |              |              |                 | MCC        | RLA  | LRA   | Qty |               | Motor FLA | HWG FLA |                |              |           |
| MZ024 | G.J.         | 208/230-1-60 | 187/252         | 16.0       | 10.3 | 62.0  | 1   | 4.2           | 1.44      | 0.28    | 16.2           | 18.7         | 25        |
| MZ030 | G.J.         | 208/230-1-60 | 187/252         | 22.7       | 14.6 | 82.0  | 1   | 4.2           | 1.44      | 0.28    | 20.5           | 24.1         | 35        |
| MZ036 | G.J.         | 208/230-1-60 | 187/252         | 22.7       | 14.6 | 76.0  | 1   | 5.9           | 1.44      | 0.28    | 22.2           | 25.8         | 40        |
| MZ042 | G.J.         | 208/230-1-60 | 187/252         | 28.4       | 18.2 | 106.0 | 1   | 5.9           | 1.44      | 0.28    | 25.8           | 30.4         | 45        |
| MZ048 | G.J.         | 208/230-1-60 | 187/252         | 28.6       | 18.3 | 138.0 | 1   | 5.9           | 1.44      | 0.28    | 26.0           | 30.5         | 45        |
| MZ060 | J.           | 208/230-1-60 | 187/252         | 34.8       | 22.3 | 149.0 | 1   | 7.5           | 1.44      | 0.28    | 31.5           | 37.1         | 50        |

Models:  
MZ  
024-060

# Electrical Power Wiring

### WARNING

To avoid possible injury or death due to electrical shock, open the power supply disconnect switch and secure it in an open position during installation.

### WARNING

Disconnect electrical power source to prevent injury or death from electrical shock.

### CAUTION

Use only copper conductors for field installed electrical wiring. Unit terminals are not designed to accept other types of conductors.

## ELECTRICAL

**Line Voltage** - All field installed wiring, including electrical ground, must comply with NFPA 70: National Electrical Code (NEC), CSA C22.1: Canadian Electrical Code (CE Code), as well as applicable local codes. Refer to the unit electrical data for fuse sizes. Consult wiring diagram for field connections that must be made by the installing (or electrical) contractor. All final electrical connections must be made with a length of flexible conduit to minimize vibration and sound transmission to the building.

**Disconnects** - Units with a factory-installed disconnect switch will provide full separation of **all poles** and disconnection from main line voltage. For units where factory disconnect is not selected as an option, the installer must incorporate the means to fully disconnect the line voltage in the fixed wiring in accordance with wiring rules and local electrical codes.

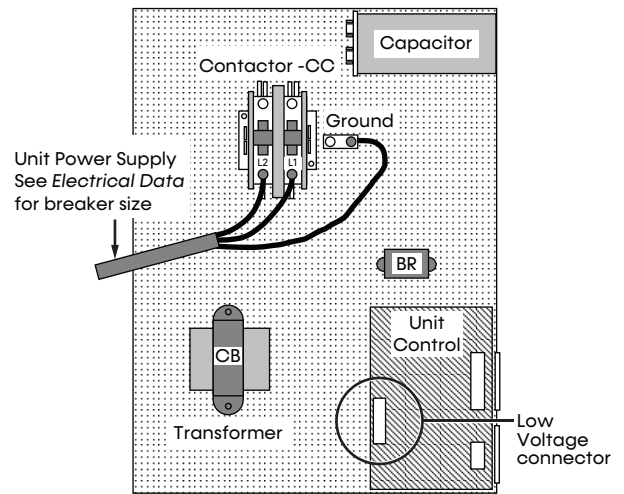
## POWER CONNECTION

The line voltage connection is made by connecting the incoming line voltage wires to the “L” side of the contactor. See the electrical data tables for maximum fuse sizes.

## GENERAL LINE VOLTAGE WIRING

Ensure the available power is the same voltage and phase shown on the unit serial plate. Line- and low-voltage wiring must be in accordance with local codes or the National Electric Code, whichever is applicable.

Figure 33: Single Phase Line Voltage Field Wiring



### NOTE

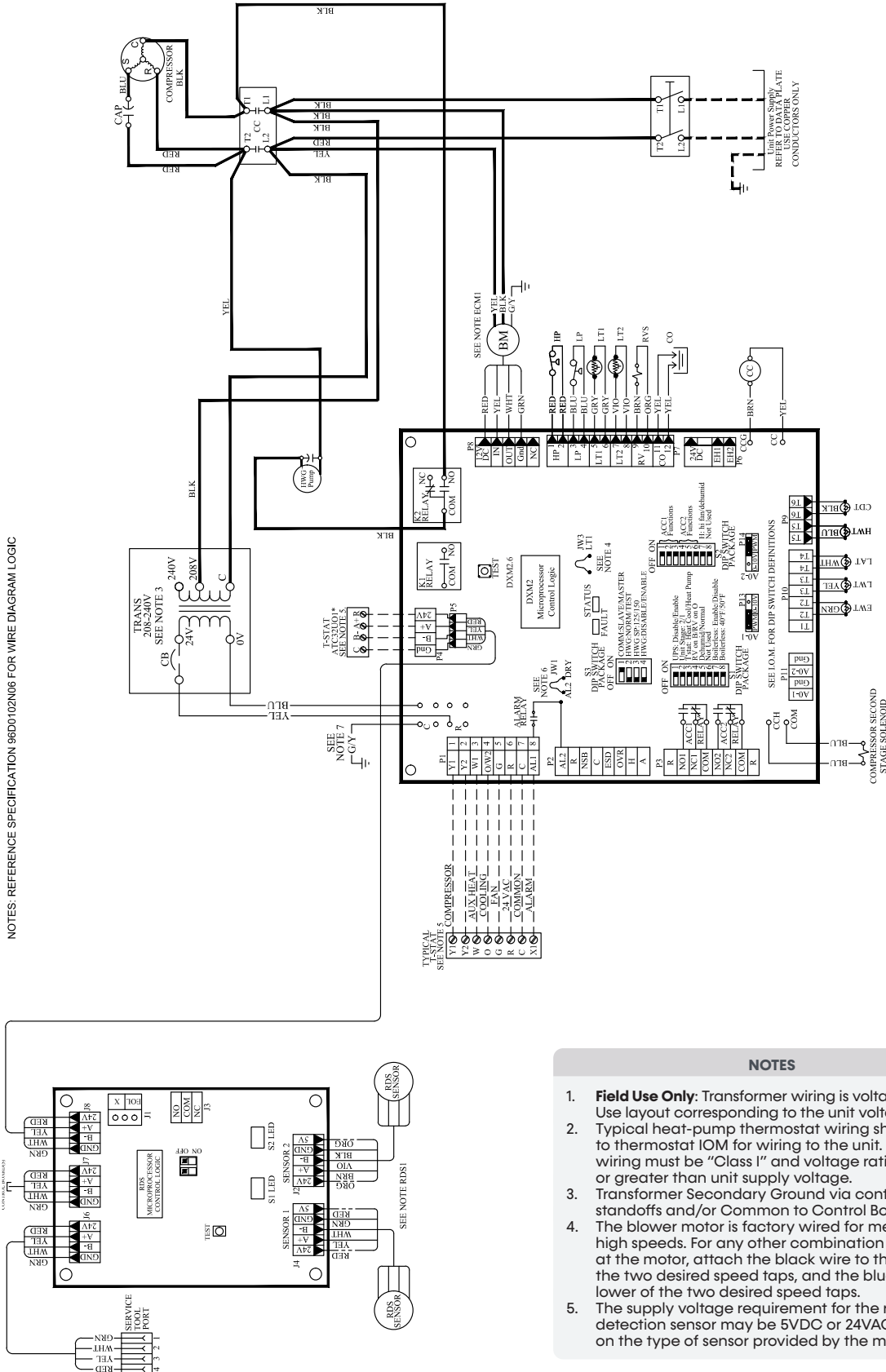
460V units with a CV EC motor or Internal Secondary Pump require a neutral wire. Three-phase wiring is similar except that all three power wires are directly connected to the contactor.

## TRANSFORMER

All 208/230V units are factory wired for 240V. If supply voltage is 208V, the installer must rewire the transformer. See the example wiring diagram for specific instructions.

# Electrical Example Wiring Diagram

Models:  
MZ  
024-060



Models:  
MZ  
024-060

# Electrical Low-Voltage Wiring

## THERMOSTAT CONNECTIONS

Wire the thermostat directly to the unit control. See the *Electrical Thermostat Wiring* section for specific terminal connections. Review the appropriate AOM (Application, Operation and Maintenance) manual for units with DDC controls.

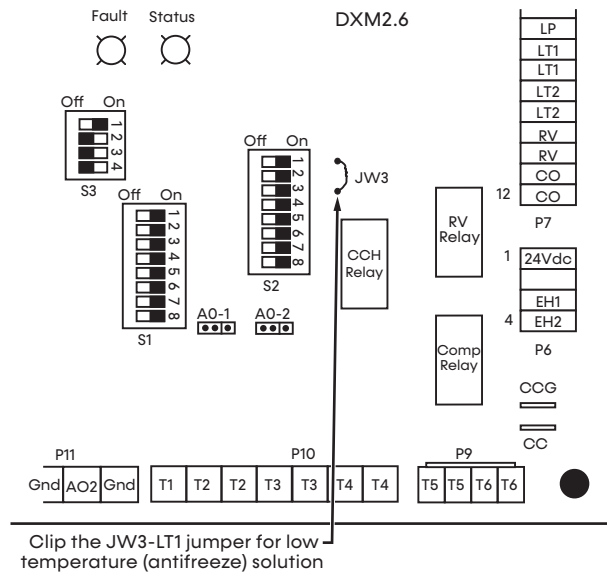
## LOW WATER TEMPERATURE CUTOUT SELECTION

The unit control allows the field selection of low water (or water-antifreeze solution) temperature limit by clipping jumper JW3 (see the **LT1 Limit Setting** figure), which changes the sensing temperature associated with thermistor LT1. Note that the LT1 thermistor is located on the refrigerant line between the coaxial heat exchanger and expansion device (TXV).

Therefore, LT1 is sensing refrigerant temperature, not water temperature, which is a better indication of how water flow rate/temperature is affecting the refrigeration circuit.

The factory setting for LT1 is for systems using water (30°F [-1.1°C] refrigerant temperature). In low water temperature (extended range) applications with antifreeze (most ground loops), clip jumper JW3 as shown in the **LT1 Limit Setting** figure, to change the setting to 10°F (-12.2°C) refrigerant temperature, which is a more suitable temperature when using an antifreeze solution. All units operating with entering water temperatures below 60°F (15.6°C) must include the optional water/refrigerant circuit insulation package to prevent internal condensation.

**Figure 35: LT1 Limit Setting**



# Electrical Low-Voltage Wiring

Models:  
MZ  
024-060

## ACCESSORY CONNECTIONS

A terminal paralleling the compressor contactor coil is provided on the DXM2.6. Terminal “A” is designed to control accessory devices. **NOTE: Use this terminal only with 24V signals and not line voltage. Terminal “A” is energized with the compressor contactor.**

The DXM2.6 includes two accessory relays ACC1 and ACC2. Each relay includes a normally open (NO) and a normally closed (NC) contact. Accessory relays may be configured to operate as shown in the table below.

### Accessory Relay 1 Connection

| DIP 2.1 | DIP 2.2 | DIP 2.3 | ACC1 Relay Option                |
|---------|---------|---------|----------------------------------|
| ON      | ON      | ON      | Cycle with fan                   |
| OFF     | ON      | ON      | N/A for Residential Applications |
| ON      | OFF     | ON      | Water valve – Slow opening       |
| ON      | ON      | OFF     | Outside air damper               |
| OFF     | OFF     | ON      | N/A for Residential Applications |
| ON      | OFF     | OFF     | N/A for Residential Applications |

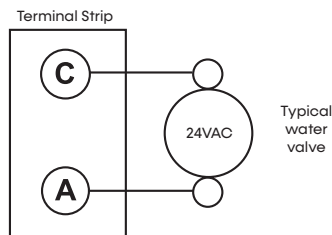
- All other DIP combinations are invalid

### Accessory Relay 2 Connection

| DIP 2.4 | DIP 2.5 | DIP 2.6 | ACC2 Relay Option                |
|---------|---------|---------|----------------------------------|
| ON      | ON      | ON      | Cycle with compressor            |
| OFF     | ON      | ON      | N/A for Residential Applications |
| ON      | OFF     | ON      | Water valve – Slow opening       |
| OFF     | OFF     | ON      | Humidifier                       |
| ON      | ON      | OFF     | Outside air damper               |

- All other DIP combinations are invalid

**Figure 36: Accessory Wiring**



## WATER SOLENOID VALVES

Use external solenoid valve(s) with ground water installations to shut off flow to the unit when the compressor is not operating. A slow-closing valve may be required to help reduce water hammer. The **Accessory Wiring** figure shows typical wiring for a 24VAC external solenoid valve. **Accessory Motorized Water Valve – Typical Wiring Example #1** and **Example #2** illustrate a slow-closing water control valve wiring for two styles of typical accessory water valves. Slow-closing valves take approximately 60 seconds to open (very little water flows before 45 seconds). Once fully open, an end switch allows the compressor to be energized. Only use relay or triac-based electronic thermostats with slow-closing valves. When wired as shown, the slow-closing valve operates properly with the following notations:

- The valve remains open during a unit lockout.
- The valve draws approximately 25-35VA through the “Y” signal of the thermostat.

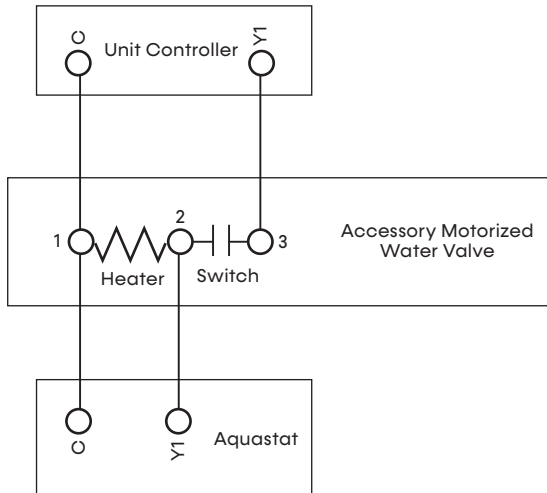
**NOTE: This valve can overheat the anticipator of an electromechanical thermostat. Therefore, only use relay or triac-based thermostats.**

Models:  
MZ  
024-060

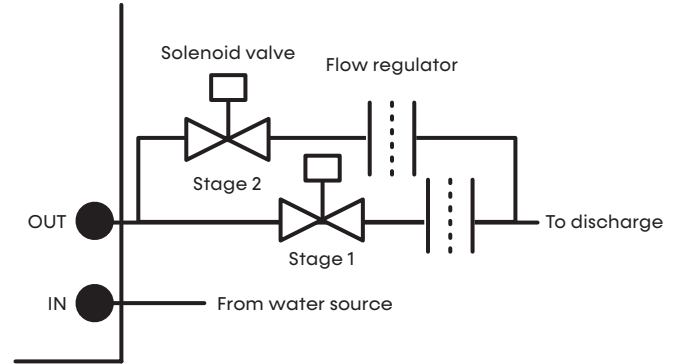
# Electrical Low-Voltage Wiring

## WIRING NON-VARIABLE WATER FLOW® UNITS USING EXTERNAL MOTORIZED WATER VALVE

**Figure 37: Accessory Motorized Water Valve – Typical Wiring Example #1**



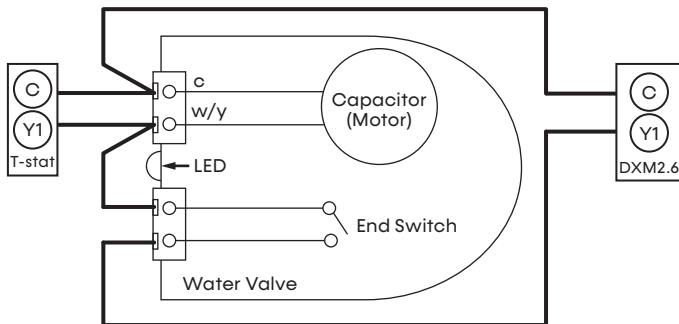
**Figure 39: Two-Stage Piping**



**NOTES**

Shutoff valves, strainers, and other required components not shown.

**Figure 38: Accessory Motorized Water Valve - Typical Wiring Example #2**



# Electrical Refrigerant Detection System

Models:  
MZ  
024-060

## REFRIGERANT DETECTION SYSTEM (RDS)

The function, operation, and required servicing measures for the RDS include the following:

- The RDS monitors the status of the refrigerant sensor(s) in the unit. If refrigerant is detected above the maximum threshold, the control enables the unit blower, disables the compressor(s), and enables the pilot relay on the RDS control board. You can use this relay to open external zoning dampers and/or activate external mechanical ventilation. The relay is normally closed (NC) and can control a signal with a maximum of 28VA @ 24VAC.
- A fault is enabled if the RDS control board loses communication with a refrigerant sensor, or if the main control board loses communication with the RDS board. See the *Troubleshooting* section for steps to troubleshoot the RDS.
- The End of Line (EoL) termination is used to prevent signal reflection issues in the communication network. When the EoL termination is enabled, it places a resistor at the end of the communication line, ensuring proper signal integrity and reducing potential communication errors. Add the EoL termination resistor when the RDS board is the end of a daisy-chain, and the total length of the wire is greater than 50 feet.

Figure 41: Board Location

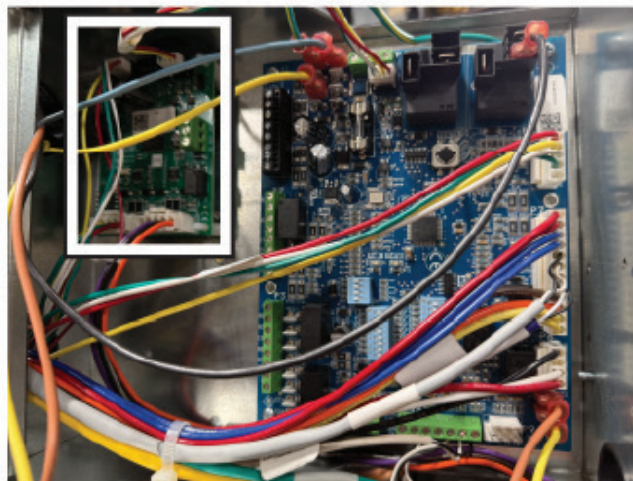
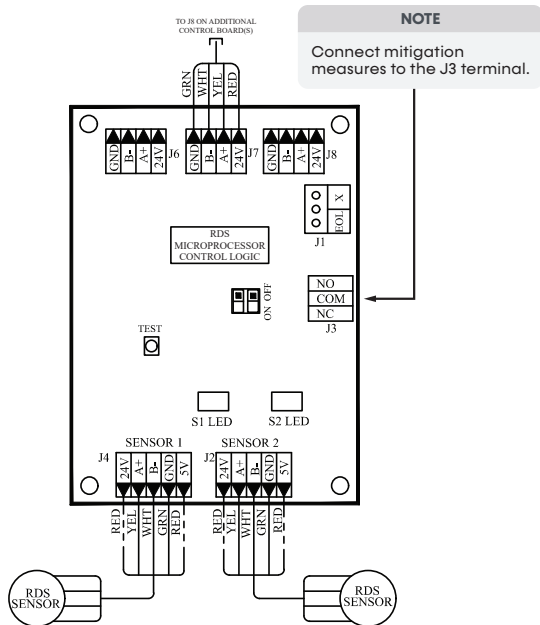


Figure 42: Vertical Control Box Sensor



Figure 40: RDS Board



Models:  
MZ  
024-060

# Electrical Refrigerant Detection System

**Figure 43: Vertical Blower Compartment Sensor**



# Electrical Thermostat Wiring

Models:  
MZ  
024-060

## THERMOSTAT INSTALLATION

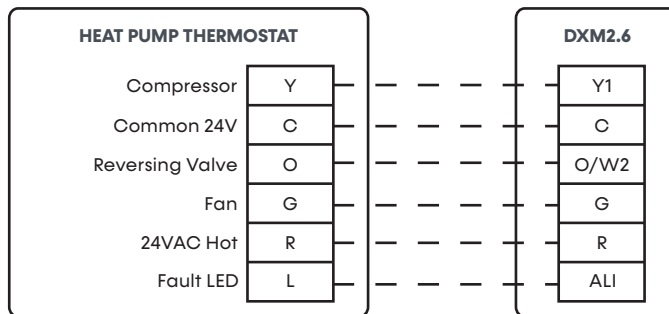
Install the thermostat on an interior wall in a larger room away from supply duct drafts. DO NOT locate the thermostat in areas subject to sunlight, drafts or on external walls. The wire access hole behind the thermostat may need to be sealed to prevent erroneous temperature measurement.

Position the thermostat back plate against the wall so that it appears level and so the thermostat wires protrude through the middle of the back plate. Mark the position of the back plate mounting holes and drill holes with a 3/16-inch (5 mm) bit. Install supplied anchors and secure plate to the wall. Thermostat wire must be 18 AWG wire.

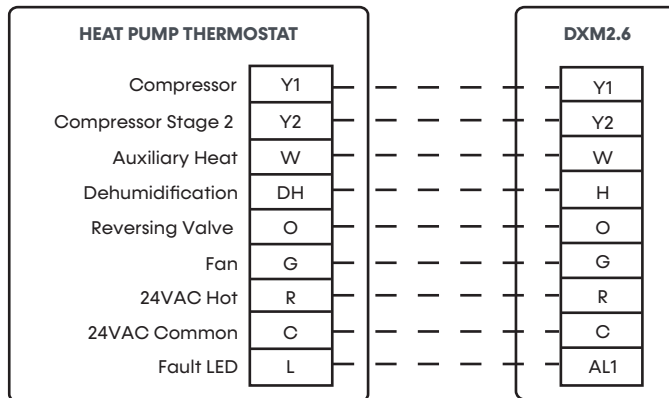
Use the **Thermostat Wiring** figure for reference, however, use the thermostat IOM and or unit wiring diagram for actual wiring connections. Most heat pump thermostats are compatible provided they have the correct number of heating and cooling stages.

### Thermostat Wiring

CONVENTIONAL SINGLE-STAGE THERMOSTAT CONNECTION TO DXM2.6



CONVENTIONAL 3 HEAT/2 COOL THERMOSTAT CONNECTION TO DXM2.6



Models:  
MZ  
024-060

## Electrical DXM2.6, RDS, and Wireless Service Tool



### **DXM2.6 Advanced Communicating Controls**

For detailed controller information, see the DXM2.6 Application, Operation, and Maintenance (AOM) manual (part # 97B0142N01). To confirm the controller type of your particular unit, refer to digit 9 on the unit model number and the unit nomenclature diagram found on page 3 of this manual.



### **Refrigerant Detection System**

For detailed controller information, see the Refrigerant Detection System Application, Operation, and Maintenance (AOM) manual (part # 97B0152N01).



### **Wireless Service Tool**

For detailed controller information, see the Wireless Service Tool Application, Operation, and Maintenance (AOM) manual (part # 97B0169N01). The Wireless Service Tool port is located on the corner post of most models.

# CV EC Motor Limits

Models:  
MZ  
024-060

## Blower Performance: CV EC Blower Motor Standard Unit

| Model | Max ESP (in wg) | Fan Motor (hp) | Range   | Cooling Mode |         | Dehumid Mode |         | Heating Mode |         | Fan Only Mode | Aux Emergency Mode |
|-------|-----------------|----------------|---------|--------------|---------|--------------|---------|--------------|---------|---------------|--------------------|
|       |                 |                |         | Stage 2      | Stage 1 | Stage 2      | Stage 1 | Stage 2      | Stage 1 |               |                    |
| MZ024 | 0.75            | 1/2            | Default | 750          | 575     | 650          | 500     | 750          | 575     | 350           | 750                |
|       |                 |                | Maximum | 850          | 650     | 800          | 600     | 850          | 850     | 850           | 850                |
|       |                 |                | Minimum | 600          | 450     | 600          | 450     | 600          | 450     | 300           | 650                |
| MZ030 | 0.5             | 1/2            | Default | 950          | 650     | 800          | 575     | 950          | 650     | 450           | 950                |
|       |                 |                | Maximum | 1,100        | 750     | 1,000        | 700     | 1,100        | 1,100   | 1,100         | 1,100              |
|       |                 |                | Minimum | 750          | 525     | 750          | 525     | 750          | 525     | 375           | 750                |
| MZ036 | 0.6             | 3/4            | Default | 1,125        | 750     | 975          | 650     | 1,125        | 750     | 525           | 1,125              |
|       |                 |                | Maximum | 1,250        | 950     | 1,200        | 800     | 1,250        | 1,250   | 1,250         | 1,250              |
|       |                 |                | Minimum | 900          | 600     | 900          | 600     | 900          | 600     | 450           | 900                |
| MZ042 | 0.6             | 3/4            | Default | 1,300        | 925     | 1,125        | 825     | 1,300        | 925     | 600           | 1,300              |
|       |                 |                | Maximum | 1,475        | 1,100   | 1,400        | 1,000   | 1,475        | 1,475   | 1,475         | 1,475              |
|       |                 |                | Minimum | 1,050        | 750     | 1,050        | 750     | 1,050        | 750     | 525           | 1,050              |
| MZ048 | 0.75            | 3/4            | Default | 1,500        | 1,125   | 1,300        | 975     | 1,500        | 1,125   | 700           | 1,500              |
|       |                 |                | Maximum | 1,700        | 1,300   | 1,600        | 1,200   | 1,700        | 1,700   | 1,700         | 1,700              |
|       |                 |                | Minimum | 1,200        | 900     | 1,200        | 900     | 1,200        | 900     | 600           | 1,350              |
| MZ060 | 0.75            | 1              | Default | 1,875        | 1,500   | 1,625        | 1,300   | 1,875        | 1,500   | 875           | 1,875              |
|       |                 |                | Maximum | 2,100        | 1,700   | 2,000        | 1,600   | 2,100        | 2,100   | 2,100         | 2,100              |
|       |                 |                | Minimum | 1,500        | 1,200   | 1,500        | 1,200   | 1,500        | 1,200   | 750           | 1,500              |

- Blower performance data is based on the lowest nameplate voltage setting.
- Blower performance is based on a wet coil with clean 1-inch filter.
- Blower performance is based on operating conditions of 80°F DB and 67°F WB.
- CFM Tolerance is ±7%
- The maximum allowable altitude of installation for this product is 6,561 ft (2,000 m).

Models:  
MZ  
024-060

# Operating and Commissioning Limits

## OPERATING LIMITS

**Environment** – Units are designed for indoor installation only. Never install units in areas subject to freezing or where humidity levels could cause cabinet condensation (such as unconditioned spaces subject to 100% outside air).

**Power Supply** – Voltage utilization shall comply with AHRI Standard 110 or values provided in the *Electrical Data* section.

Three factors determine the operating limits of water-source heat pumps: return air temperature, water temperature, and ambient temperature. When any one of these factors is at minimum or maximum levels, the other two factors should be at normal levels to ensure proper unit operation. Extreme variations in temperature and humidity and/or corrosive water or air adversely affects unit performance, reliability, and service life.

**Table 7: Operating Limits**

| Operating Limits          | Cooling  | Heating                   |
|---------------------------|--|---------------------------|
| <b>Air Limits</b>         |  |                           |
| Min. ambient air, DB      | 10°F [-12°C] <sup>1</sup>                                  | 10°F [-12°C] <sup>1</sup> |
| Max. ambient air, DB      | 130°F [54.4°C]   | 130°F [54.4°C]            |
| Min. entering air, DB/WB  | 65/45°F [18/7°C]   | 50°F [10°C]               |
| Max. entering air, DB/WB  | 90/72°F [32/22°C]  | 80°F [27°C]               |
| Min/Max Airflow (CFM/Ton) | 300 to 500 CFM/Ton <sup>2</sup>                            |                           |
| <b>Water Limits</b>       |  |                           |
| Min. entering water       | 30°F [-1°C] <sup>3</sup>                                   | 20°F [-6.7°C]             |
| Max. entering water       | 120°F [49°C]   | 90°F [32°C]               |
| Water Flow Range          | 1.5 to 3.0 gpm/ton<br>[1.6 to 3.2 l/m per kW] <sup>4</sup> |                           |

Notes:

- To prevent unit damage, the water loop should contain antifreeze to prevent freezing when not in operation.
- Refer to specific blower tables for each model size
- With unit flow-control automation.
- Unless specified different on performance table for any model size

### Unit Maximum Water Working Pressure

| Options                      | Max Pressure PSIG (kPa) |
|------------------------------|-------------------------|
| Base Unit                    | 300 (2,068)             |
| Internal Modulating Valve    | 300 (2,068)             |
| Internal Variable-Speed Pump | 145 (1,000)             |

## COMMISSIONING CONDITIONS

Starting conditions vary depending upon model and are based upon the following notes:

**NOTES:**

- Commissioning Conditions are not normal or continuous operating conditions. Minimum/maximum limits are startup conditions to bring the building space up to occupancy temperatures. Units are not designed to operate under these conditions on a regular basis.
- Voltage utilization range complies with AHRI Standard 110.

**Table 8: Commissioning Conditions**

| Commissioning Conditions  | Cooling  | Heating                   |
|---------------------------|--|---------------------------|
| <b>Air Limits</b>         |  |                           |
| Min. ambient air, DB      | 10°F [-12°C] <sup>1</sup>                                  | 10°F [-12°C] <sup>1</sup> |
| Max. ambient air, DB      | 130°F [54.4°C]   | 130°F [54.4°C]            |
| Min. entering air, DB/WB  | 65/45°F [18/7°C]   | 40°F [4.4°C] <sup>6</sup> |
| Max. entering air, DB/WB  | 100/75°F [38/24°C] <sup>5</sup>                            | 80°F [27°C]               |
| Min/Max Airflow (CFM/Ton) | 300 to 500 CFM/Ton <sup>2</sup>                            |                           |
| <b>Water Limits</b>       |  |                           |
| Min. entering water       | 20°F [-6.7°C] <sup>3</sup>                                 | 20°F [-6.7°C]             |
| Max. entering water       | 120°F [49°C]   | 90°F [32°C]               |
| Water Flow Range          | 1.5 to 3.0 gpm/ton<br>[1.6 to 3.2 l/m per kW] <sup>4</sup> |                           |

Notes:

- To prevent unit damage, the water loop should contain antifreeze to prevent freezing when not in operation.
- Refer to specific blower tables for each model size
- With unit flow-control automation.
- Unless specified different on performance table for any model size
- Commission units for cooling at entering air temperatures of 100/75°F (38/24°C) only at rated water flow or 3 gpm/ton.
- Commission units for heating at entering air temperature of 40°F (4.4°C) only at rated water flow or 3 gpm/ton.

## Unit and System Checkout

### WARNING

Polyolester Oil, commonly known as POE oil, is a synthetic oil used in many refrigeration systems including those with R-454B refrigerant. POE oil, if it ever comes in contact with PVC or CPVC piping, may cause failure of the PVC/CPVC. PVC/CPVC piping should never be used as supply or return water piping with water-source heat pump products containing R-454B as system failures and property damage may result.

### UNIT AND SYSTEM CHECKOUT

BEFORE POWERING SYSTEM, please check the following:

#### UNIT FEATURES

- Balancing/shutoff valves:** Ensure all isolation valves are open and water control valves are wired.
- Line voltage and wiring:** Verify that voltage is within an acceptable range for the unit and wiring and fuses/breakers are properly sized. Verify that low voltage wiring is complete.
- Unit control transformer:** Ensure transformer has the properly selected voltage tap. Residential 208-230V units are factory wired for 230V operation unless specified otherwise.
- Loop/water piping:** Ensure loop or water piping is complete and purged of air. Water/piping is clean.
- Antifreeze:** Has been added if necessary.
- Entering water and air:** Ensure entering water and air temperatures are within operating limits of the **Operating Limits** and **Commissioning Conditions** tables.
- Low water temperature cutout:** Verify that low water temperature cut-out on the DXM2.6 is properly set.
- Unit fan:** Manually rotate fan to verify free rotation and ensure blower wheel is secured to the motor shaft. Be sure to remove any shipping supports if needed. DO NOT oil motors upon startup. Fan motors are pre-oiled at the factory. Check unit fan CFM selection and compare to design requirements.
- Condensate line:** Verify condensate line is open and properly pitched toward drain.
- Water flow balancing:** Record inlet and outlet water temperatures for each heat pump upon startup. This check can eliminate nuisance trip outs and high velocity water flow that could erode heat exchangers.

- Hot Water Generator:** Ensure HWG is switched off at SW 3-4 unless piping is completed and air has been purged from the system.
- Unit air coil and filters:** Ensure filter is clean and accessible. Clean air coil of all manufacturing oils.
- Unit controls:** Verify DXM2.6 field selection options are properly set. Low-voltage wiring is complete.
- Blower CFM and Water  $\Delta T$  is set on a Wireless Service Tool.
- Service/access panels are in place.

### SYSTEM CHECKOUT

- System water temperature:** Check water temperature for proper range. Verify heating and cooling set points for proper operation.
- System pH:** Check and adjust water pH if necessary to maintain a level between 6 and 8.5. Proper pH promotes longevity of hoses and fittings. Refer to the **Water Quality Requirements** table.
- System flushing:** Verify all hoses are connected end-to-end when flushing to ensure that debris bypasses the unit heat exchanger, water valves and other components. Water used in the system must be potable quality initially and clean of dirt, piping slag, and strong chemical cleaning agents. Verify all air is purged from the system. Air in the system can cause poor operation or system corrosion.
- System controls:** Verify system controls function and operate in the proper sequence.
- Low water temperature cutout:** Verify low water temperature cut-out controls are provided for the outdoor portion of the loop. (LT1 - JW3)
- Miscellaneous:** Note any questionable aspects of the installation.

### CAUTION

Verify that ALL water control valves are open and allow water flow prior to engaging the compressor. Freezing of the coax or water lines can permanently damage the heat pump.

### CAUTION

To avoid equipment damage, DO NOT leave system filled in a building without heat during the winter unless antifreeze is added to the water loop. Heat exchangers never fully drain by themselves and will freeze unless winterized with antifreeze.

## Unit Startup Procedure

### UNIT STARTUP PROCEDURE

1. After checkouts are complete, turn on power to the unit. It is recommended (but not necessary for startup) to plug in the Wireless Service Tool to the port on the corner post. You can check unit configuration and monitor operation during startup. Turn the thermostat fan position to "ON". The blower should start.
2. Balance air flow at diffusers.
3. Adjust all valves to their full open positions. Turn on the line power to all heat pumps.
4. Room temperature should be within the minimum-maximum ranges of the **Operating Limits** table. During startup checks, loop water temperature entering the heat pump should be within the minimum-maximum limits of the table above.
5. Two factors determine the operating limits of water-source heat pumps, (a) return air temperature, and (b) water temperature. When any one of these factors is at a minimum or maximum level, the other factor must be at normal level to ensure proper unit operation.
  - a. Adjust the unit thermostat to the warmest setting. Place the thermostat mode switch in the "COOL" position. Slowly reduce thermostat setting until the compressor activates.
  - b. Check for cool air delivery at the unit grille within a few minutes after the unit begins to operate.
 

**NOTE: Bypass the unit's 5-minute time delay in the control circuit on the unit control as shown in the Test Mode Button figure. See the control AOM for specific details.**
  - c. Run the unit for 15 minutes before recording performance data in the Startup Log Sheet.
  - d. Verify that the compressor is on and that the water flow rate is correct by measuring pressure drop through the heat exchanger using the P/T plugs and comparing to the **Coax Water Pressure Drop** table.
    - e. Check the elevation and cleanliness of the condensate lines. Dripping may be a sign of a blocked line. Check that the condensate trap is filled to provide a water seal.
    - f. Refer to the **Typical Unit Operating Pressures and Temperatures** tables. Check the temperature of both entering and leaving water. If temperature is within range, proceed with the test. Heat of rejection (HR) can be calculated and compared to submittal data capacity pages. The formula for HR for systems with water is as follows:
 
$$\text{HR (Btuh)} = \text{TD} \times \text{GPM} \times 500$$
 where TD is the temperature difference between the entering and leaving water, and GPM is the flow rate in U.S. GPM, determined by comparing the pressure drop across the heat exchanger to the **Coax Water Pressure Drop** table. In S-I units, the formula is as follows:
 
$$\text{HR (kW)} = \text{TD} \times \text{l/s} \times 4.18.$$
    - g. Check air temperature drop across the air coil when compressor is operating. Air temperature drop should be between 15°F and 25°F (8°C and 14°C).
    - h. Turn thermostat to "OFF" position. A hissing noise indicates proper functioning of the reversing valve.
6. Allow five (5) minutes between tests for pressure to equalize before beginning heating test.
  - a. Adjust the thermostat to the lowest setting. Place the thermostat mode switch in the "HEAT" position.
  - b. Slowly raise the thermostat to a higher temperature until the compressor activates.
  - c. Check for warm air delivery within a few minutes after the unit begins to operate.
  - d. Run the unit for 15 minutes before recording performance data in the Startup Log Sheet.

## Unit Startup Procedure

- e. Refer to the **Typical Unit Operating Pressures and Temperatures** tables. Check the temperature of both entering and leaving water. If temperature is within range, proceed with the test. If temperature is outside of the operating range, check refrigerant pressures. Heat of extraction (HE) can be calculated and compared to submittal data capacity pages. The formula for HE for systems with water is as follows:

$$HE (kW) = TD \times GPM \times 500$$

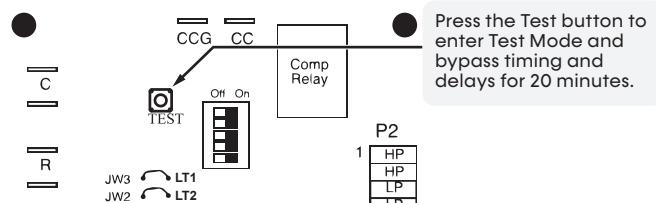
where TD is the temperature difference between the entering and leaving water, and l/s is the flow rate in U.S. GPM, determined by comparing the pressure drop across the heat exchanger to the **Coax Water Pressure Drop** table. In S-I units, the formula is as follows:

$$HE (kW) = TD \times l/s \times 4.18$$

- f. Check air temperature rise across the air coil when compressor is operating. Air temperature rise should be between 20°F and 30°F (11°C and 17°C).
- g. Check for vibration, noise, and water leaks.
7. If the unit fails to operate, perform troubleshooting analysis (see Functional Troubleshooting). If the check procedure described fails to reveal the problem, and the unit still does not operate, contact a trained service technician to ensure proper diagnosis and repair of the equipment.
8. When testing is complete, set the system to maintain the desired comfort level.

**NOTE: If performance during any mode appears abnormal, refer to the Troubleshooting section or the control AOM. To obtain maximum performance, clean the air coil before startup. Use a 10% solution of dishwasher detergent and water to clean the air coil.**

### Test Mode Button



### WARNING

When the disconnect switch is closed, high voltage is present in some areas of the electrical panel. Exercise caution when working with energized equipment.

### CAUTION

Verify that ALL water control valves are open and allow water flow prior to engaging the compressor. Freezing of the coax or water lines can permanently damage the heat pump.

### CAUTION

Many units are installed with a factory or field supplied manual or electric shutoff valve. **DAMAGE WILL OCCUR** if shutoff valve is closed during unit operation. A high pressure switch must be installed on the heat pump side of any field provided shutoff valves and connected to the heat pump controls in series with the built-in refrigerant circuit high pressure switch to disable compressor operation if water pressure exceeds pressure switch setting. The field installed high pressure switch shall have a cut-out pressure of 300 psig and a cut-in pressure of 250 psig.

Models:  
MZ  
024-060

# Unit Operating Conditions

Operating Pressure/Temperature tables include the following notes:

- Airflow is at nominal (rated) conditions
- Entering air is based upon 70°F (21°C) DB in heating and 80/67°F (27/19°C) in cooling
- Subcooling is based upon head pressure at compressor service port
- Cooling air and water values can vary greatly with changes in humidity level

**Table 9: Typical Unit Operating Pressures and Temperatures**

| MZ024  |                | Full Load Cooling - without HWG active |                       |              |               |                    |                     | Full Load Heating - without HWG active |                       |              |               |                    |                     |
|--------|----------------|--|-----------------------|--------------|---------------|--------------------|---------------------|--|-----------------------|--------------|---------------|--------------------|---------------------|
| EWT °F | Water Flow GPM | Discharge Pressure PSIG                | Suction Pressure PSIG | Superheat °F | Subcooling °F | Water Temp Rise °F | Air Temp Drop °F DB | Discharge Pressure PSIG                | Suction Pressure PSIG | Superheat °F | Subcooling °F | Water Temp Drop °F | Air Temp Rise °F DB |
| 30'    | 6              | 140-160                                | 111-121               | 22-26        | 11-15         | 10-12              | 18-24               | 277-297                                | 66-76                 | 8-12         | 5-9           | 4-6                | 17-23               |
|        | 4.5            | 147-167                                | 114-124               | 18-22        | 11-15         | 13-15              | 19-25               | 274-294                                | 64-74                 | 8-12         | 5-9           | 5-7                | 17-23               |
|        | 3              | 161-181                                | 117-127               | 16-20        | 14-18         | 21-23              | 19-25               | 270-290                                | 60-70                 | 8-12         | 5-9           | 7-9                | 16-22               |
| 50     | 6              | 193-213                                | 117-127               | 14-18        | 12-16         | 10-12              | 19-25               | 310-330                                | 95-105                | 9-13         | 5-9           | 5-7                | 23-29               |
|        | 4.5            | 202-222                                | 119-129               | 13-17        | 14-18         | 13-15              | 19-25               | 307-327                                | 92-102                | 9-13         | 6-10          | 7-9                | 23-29               |
|        | 3              | 221-241                                | 120-130               | 11-15        | 16-20         | 20-22              | 19-25               | 301-321                                | 87-97                 | 8-12         | 6-10          | 10-12              | 22-28               |
| 70     | 6              | 261-281                                | 123-133               | 9-13         | 14-18         | 9-11               | 18-24               | 346-366                                | 129-139               | 10-14        | 5-9           | 7-9                | 30-36               |
|        | 4.5            | 273-293                                | 124-134               | 8-12         | 16-20         | 13-15              | 18-24               | 342-362                                | 124-134               | 10-14        | 5-9           | 10-12              | 29-35               |
|        | 3              | 296-316                                | 125-135               | 7-11         | 19-23         | 19-21              | 18-24               | 333-353                                | 117-127               | 9-13         | 6-10          | 14-16              | 28-34               |
| 90     | 6              | 346-366                                | 129-139               | 6-10         | 16-20         | 9-11               | 18-24               | 385-405                                | 166-176               | 12-16        | 4-8           | 9-11               | 37-43               |
|        | 4.5            | 359-379                                | 129-139               | 6-10         | 17-21         | 12-14              | 17-23               | 379-399                                | 160-170               | 12-16        | 4-8           | 12-14              | 35-41               |
|        | 3              | 385-405                                | 130-140               | 5-9          | 21-25         | 19-21              | 17-23               | 367-387                                | 149-159               | 10-14        | 5-9           | 17-19              | 34-40               |
| 120    | 6              | 503-523                                | 136-146               | 6-10         | 19-23         | 8-10               | 15-21               |  |                       |              |               |                    |                     |
|        | 4.5            | 518-538                                | 137-147               | 5-9          | 20-24         | 11-13              | 15-21               |  |                       |              |               |                    |                     |
|        | 3              | 546-566                                | 138-148               | 4-8          | 23-27         | 18-20              | 15-21               |  |                       |              |               |                    |                     |

1. Based on 20% methanol antifreeze solution

| MZ030  |                | Full Load Cooling - without HWG active |                       |              |               |                    |                     | Full Load Heating - without HWG active |                       |              |               |                    |                     |
|--------|----------------|--|-----------------------|--------------|---------------|--------------------|---------------------|--|-----------------------|--------------|---------------|--------------------|---------------------|
| EWT °F | Water Flow GPM | Discharge Pressure PSIG                | Suction Pressure PSIG | Superheat °F | Subcooling °F | Water Temp Rise °F | Air Temp Drop °F DB | Discharge Pressure PSIG                | Suction Pressure PSIG | Superheat °F | Subcooling °F | Water Temp Drop °F | Air Temp Rise °F DB |
| 30'    | 7.5            | 145-165                                | 108-118               | 11-15        | 7-11          | 10-12              | 21-27               | 302-322                                | 64-74                 | 8-12         | 7-11          | 4-6                | 22-28               |
|        | 5.6            | 148-168                                | 110-120               | 8-12         | 6-10          | 13-15              | 21-27               | 298-318                                | 61-71                 | 9-13         | 7-11          | 5-7                | 21-27               |
|        | 3.8            | 160-180                                | 111-121               | 6-10         | 6-10          | 20-22              | 21-27               | 293-313                                | 57-67                 | 8-12         | 7-11          | 8-10               | 20-26               |
| 50     | 7.5            | 197-217                                | 112-122               | 7-11         | 7-11          | 9-11               | 20-26               | 341-361                                | 94-104                | 8-12         | 5-9           | 5-7                | 28-34               |
|        | 5.6            | 205-225                                | 113-123               | 6-10         | 7-11          | 13-15              | 20-26               | 337-357                                | 90-100                | 8-12         | 5-9           | 7-9                | 27-33               |
|        | 3.8            | 222-242                                | 113-123               | 5-9          | 9-13          | 19-21              | 20-26               | 333-353                                | 85-95                 | 8-12         | 6-10          | 10-12              | 27-33               |
| 70     | 7.5            | 265-285                                | 116-126               | 5-9          | 8-12          | 9-11               | 19-25               | 380-400                                | 126-136               | 10-14        | 3-7           | 6-8                | 34-40               |
|        | 5.6            | 277-297                                | 116-126               | 5-9          | 9-13          | 12-14              | 19-25               | 375-395                                | 122-132               | 10-14        | 3-7           | 9-11               | 33-39               |
|        | 3.8            | 298-318                                | 117-127               | 4-8          | 11-15         | 19-21              | 19-25               | 369-389                                | 115-125               | 9-13         | 4-8           | 13-15              | 32-38               |
| 90     | 7.5            | 349-369                                | 120-130               | 4-8          | 8-12          | 8-10               | 18-24               | 417-437                                | 161-171               | 14-18        | 2-6           | 8-10               | 40-46               |
|        | 5.6            | 363-383                                | 120-130               | 3-7          | 10-14         | 12-14              | 18-24               | 411-431                                | 155-165               | 14-18        | 2-6           | 10-12              | 39-45               |
|        | 3.8            | 388-408                                | 121-131               | 3-7          | 12-16         | 18-20              | 18-24               | 401-421                                | 145-155               | 13-17        | 2-6           | 15-17              | 37-43               |
| 120    | 7.5            | 506-526                                | 127-137               | 3-7          | 10-14         | 8-10               | 16-22               |  |                       |              |               |                    |                     |
|        | 5.6            | 521-541                                | 128-138               | 2-6          | 10-14         | 12-14              | 16-22               |  |                       |              |               |                    |                     |
|        | 3.8            | 547-567                                | 130-140               | 1-5          | 13-17         | 17-19              | 16-22               |  |                       |              |               |                    |                     |

1. Based on 20% methanol antifreeze solution

# Unit Operating Conditions

| MZ036  |                | Full Load Cooling - without HWG active |                       |              |               |                    |                     | Full Load Heating - without HWG active |                       |              |               |                    |                     |
|--------|----------------|--|-----------------------|--------------|---------------|--------------------|---------------------|--|-----------------------|--------------|---------------|--------------------|---------------------|
| EWT °F | Water Flow GPM | Discharge Pressure PSIG                | Suction Pressure PSIG | Superheat °F | Subcooling °F | Water Temp Rise °F | Air Temp Drop °F DB | Discharge Pressure PSIG                | Suction Pressure PSIG | Superheat °F | Subcooling °F | Water Temp Drop °F | Air Temp Rise °F DB |
| 30'    | 9              | 133-153                                | 111-121               | 9-13         | 5-9           | 10-12              | 19-25               | 302-322                                | 64-74                 | 10-14        | 12-16         | 4-6                | 20-26               |
|        | 6.75           | 140-160                                | 111-121               | 7-11         | 5-9           | 13-15              | 19-25               | 298-318                                | 62-72                 | 10-14        | 12-16         | 5-7                | 19-25               |
|        | 4.5            | 155-175                                | 110-120               | 6-10         | 12-16         | 20-22              | 19-25               | 293-313                                | 58-68                 | 10-14        | 12-16         | 8-10               | 18-24               |
| 50     | 9              | 187-207                                | 114-124               | 7-11         | 6-10          | 9-11               | 19-25               | 339-359                                | 94-104                | 9-13         | 13-17         | 5-7                | 26-32               |
|        | 6.75           | 196-216                                | 114-124               | 5-9          | 7-11          | 13-15              | 18-24               | 335-355                                | 91-101                | 9-13         | 13-17         | 7-9                | 25-31               |
|        | 4.5            | 215-235                                | 114-124               | 4-8          | 12-16         | 20-22              | 18-24               | 329-349                                | 85-95                 | 8-12         | 14-18         | 11-13              | 24-30               |
| 70     | 9              | 254-274                                | 117-127               | 5-9          | 7-11          | 9-11               | 18-24               | 382-402                                | 129-139               | 9-13         | 12-16         | 7-9                | 33-39               |
|        | 6.75           | 266-286                                | 118-128               | 4-8          | 9-13          | 12-14              | 18-24               | 377-397                                | 124-134               | 9-13         | 13-17         | 10-12              | 32-38               |
|        | 4.5            | 288-308                                | 119-129               | 3-7          | 11-15         | 19-21              | 18-24               | 367-387                                | 116-126               | 8-12         | 13-17         | 14-16              | 30-36               |
| 90     | 9              | 336-356                                | 122-132               | 3-7          | 8-12          | 9-11               | 17-23               | 430-450                                | 168-178               | 11-15        | 9-13          | 9-11               | 40-46               |
|        | 6.75           | 349-369                                | 123-133               | 3-7          | 10-14         | 12-14              | 17-23               | 422-442                                | 161-171               | 11-15        | 10-14         | 12-14              | 39-45               |
|        | 4.5            | 374-394                                | 124-134               | 2-6          | 11-15         | 18-20              | 17-23               | 409-429                                | 150-160               | 9-13         | 11-15         | 18-20              | 37-43               |
| 120    | 9              | 486-506                                | 131-141               | 3-7          | 7-11          | 8-10               | 15-21               |  |                       |              |               |                    |                     |
|        | 6.75           | 500-520                                | 131-141               | 2-6          | 9-13          | 11-13              | 15-21               |  |                       |              |               |                    |                     |
|        | 4.5            | 527-547                                | 133-143               | 1-5          | 10-14         | 18-20              | 16-22               |  |                       |              |               |                    |                     |

1. Based on 20% methanol antifreeze solution

| MZ042  |                | Full Load Cooling - without HWG active |                       |              |               |                    |                     | Full Load Heating - without HWG active |                       |              |               |                    |                     |
|--------|----------------|--|-----------------------|--------------|---------------|--------------------|---------------------|--|-----------------------|--------------|---------------|--------------------|---------------------|
| EWT °F | Water Flow GPM | Discharge Pressure PSIG                | Suction Pressure PSIG | Superheat °F | Subcooling °F | Water Temp Rise °F | Air Temp Drop °F DB | Discharge Pressure PSIG                | Suction Pressure PSIG | Superheat °F | Subcooling °F | Water Temp Drop °F | Air Temp Rise °F DB |
| 30'    | 10.5           | 136-156                                | 93-103                | 36-40        | 19-23         | 9-11               | 18-24               | 292-312                                | 62-72                 | 9-13         | 7-11          | 3-5                | 20-26               |
|        | 7.9            | 148-168                                | 99-109                | 34-38        | 19-23         | 12-14              | 18-24               | 290-310                                | 59-69                 | 9-13         | 7-11          | 5-7                | 19-25               |
|        | 5.25           | 163-183                                | 106-116               | 25-29        | 19-23         | 20-22              | 19-25               | 285-305                                | 55-65                 | 9-13         | 7-11          | 7-9                | 18-24               |
| 50     | 10.5           | 186-206                                | 105-115               | 23-27        | 16-20         | 9-11               | 19-25               | 322-342                                | 91-101                | 10-14        | 7-11          | 5-7                | 26-32               |
|        | 7.9            | 198-218                                | 108-118               | 21-25        | 17-21         | 13-15              | 19-25               | 319-339                                | 88-98                 | 9-13         | 7-11          | 7-9                | 25-31               |
|        | 5.25           | 218-238                                | 112-122               | 16-20        | 19-23         | 20-22              | 19-25               | 312-332                                | 82-92                 | 9-13         | 7-11          | 10-12              | 24-30               |
| 70     | 10.5           | 253-273                                | 114-124               | 13-17        | 15-19         | 9-11               | 19-25               | 355-375                                | 123-133               | 12-16        | 6-10          | 7-9                | 32-38               |
|        | 7.9            | 266-286                                | 116-126               | 12-16        | 17-21         | 13-15              | 19-25               | 351-371                                | 119-129               | 11-15        | 6-10          | 9-11               | 31-37               |
|        | 5.25           | 291-311                                | 117-127               | 10-14        | 20-24         | 20-22              | 19-25               | 343-363                                | 111-121               | 10-14        | 7-11          | 13-15              | 29-35               |
| 90     | 10.5           | 337-357                                | 121-131               | 8-12         | 15-19         | 10-12              | 18-24               | 392-412                                | 157-167               | 16-20        | 4-8           | 8-10               | 38-44               |
|        | 7.9            | 351-371                                | 121-131               | 7-11         | 17-21         | 13-15              | 19-25               | 387-407                                | 152-162               | 15-19        | 5-9           | 11-13              | 38-44               |
|        | 5.25           | 380-400                                | 122-132               | 7-11         | 21-25         | 20-22              | 18-24               | 376-396                                | 141-151               | 13-17        | 5-9           | 16-18              | 35-41               |
| 120    | 10.5           | 496-516                                | 126-136               | 7-11         | 18-22         | 9-11               | 16-22               |  |                       |              |               |                    |                     |
|        | 7.9            | 513-533                                | 127-137               | 7-11         | 21-25         | 13-15              | 16-22               |  |                       |              |               |                    |                     |
|        | 5.25           | 545-565                                | 129-139               | 6-10         | 25-29         | 18-20              | 15-21               |  |                       |              |               |                    |                     |

1. Based on 20% methanol antifreeze solution

Models:  
MZ  
024-060

# Unit Operating Conditions

| MZ048  |                | Full Load Cooling - without HWG active |                       |              |               |                    |                     | Full Load Heating - without HWG active |                       |              |               |                    |                     |
|--------|----------------|--|-----------------------|--------------|---------------|--------------------|---------------------|--|-----------------------|--------------|---------------|--------------------|---------------------|
| EWT °F | Water Flow GPM | Discharge Pressure PSIG                | Suction Pressure PSIG | Superheat °F | Subcooling °F | Water Temp Rise °F | Air Temp Drop °F DB | Discharge Pressure PSIG                | Suction Pressure PSIG | Superheat °F | Subcooling °F | Water Temp Drop °F | Air Temp Rise °F DB |
| 30'    | 12             | 145-165                                | 109-119               | 18-22        | 13-17         | 10-12              | 19-25               | 312-332                                | 61-71                 | 1-5          | 20-24         | 4-6                | 18-24               |
|        | 9              | 156-176                                | 111-121               | 15-19        | 14-18         | 14-16              | 19-25               | 308-328                                | 59-69                 | 2-6          | 20-24         | 5-7                | 18-24               |
|        | 6              | 192-212                                | 115-125               | 13-17        | 19-23         | 21-23              | 19-25               | 302-322                                | 55-65                 | 2-4          | 20-24         | 8-10               | 17-23               |
| 50     | 12             | 193-213                                | 113-123               | 13-17        | 14-18         | 10-12              | 19-25               | 347-367                                | 89-99                 | 4-8          | 19-23         | 5-7                | 25-31               |
|        | 9              | 205-225                                | 114-124               | 11-15        | 16-20         | 13-15              | 19-25               | 342-362                                | 86-96                 | 4-8          | 19-23         | 7-9                | 24-30               |
|        | 6              | 231-251                                | 116-126               | 10-14        | 19-23         | 20-22              | 19-25               | 340-360                                | 78-88                 | 3-7          | 20-24         | 11-13              | 23-29               |
| 70     | 12             | 260-280                                | 117-127               | 10-14        | 15-19         | 9-11               | 18-24               | 387-407                                | 124-134               | 7-11         | 16-20         | 7-9                | 31-37               |
|        | 9              | 273-293                                | 117-127               | 9-13         | 18-22         | 13-15              | 19-25               | 381-401                                | 119-129               | 6-10         | 17-21         | 10-12              | 30-36               |
|        | 6              | 296-316                                | 118-128               | 9-13         | 21-25         | 20-22              | 19-25               | 366-386                                | 110-120               | 6-10         | 18-22         | 14-16              | 28-34               |
| 90     | 12             | 344-364                                | 121-131               | 8-12         | 17-21         | 9-11               | 18-24               | 432-452                                | 164-174               | 10-14        | 12-16         | 9-11               | 38-44               |
|        | 9              | 358-378                                | 121-131               | 8-12         | 20-24         | 13-15              | 18-24               | 424-444                                | 157-167               | 10-14        | 12-16         | 12-14              | 37-43               |
|        | 6              | 386-406                                | 121-131               | 8-12         | 23-27         | 19-21              | 18-24               | 382-402                                | 152-162               | 9-13         | 12-16         | 15-17              | 30-36               |
| 120    | 12             | 503-523                                | 127-137               | 9-13         | 19-23         | 9-11               | 16-22               |  |                       |              |               |                    |                     |
|        | 9              | 521-541                                | 128-138               | 9-13         | 23-27         | 12-14              | 16-22               |  |                       |              |               |                    |                     |
|        | 6              | 570-590                                | 131-141               | 7-11         | 28-32         | 18-20              | 16-22               |  |                       |              |               |                    |                     |

1. Based on 20% methanol antifreeze solution

| MZ060  |                | Full Load Cooling - without HWG active |                       |              |               |                    |                     | Full Load Heating - without HWG active |                       |              |               |                    |                     |
|--------|----------------|--|-----------------------|--------------|---------------|--------------------|---------------------|--|-----------------------|--------------|---------------|--------------------|---------------------|
| EWT °F | Water Flow GPM | Discharge Pressure PSIG                | Suction Pressure PSIG | Superheat °F | Subcooling °F | Water Temp Rise °F | Air Temp Drop °F DB | Discharge Pressure PSIG                | Suction Pressure PSIG | Superheat °F | Subcooling °F | Water Temp Drop °F | Air Temp Rise °F DB |
| 30'    | 15             | 140-160                                | 105-115               | 25-29        | 12-16         | 9-11               | 19-25               | 283-303                                | 61-71                 | 4-8          | 5-9           | 5-7                | 11-17               |
|        | 11.25          | 148-168                                | 106-116               | 20-24        | 14-18         | 13-15              | 19-25               | 286-306                                | 64-74                 | 4-8          | 5-9           | 3-5                | 20-26               |
|        | 7.5            | 161-181                                | 108-118               | 17-21        | 15-19         | 20-22              | 19-25               | 279-299                                | 57-67                 | 4-8          | 9-13          | 7-9                | 18-24               |
| 50     | 15             | 188-208                                | 113-123               | 16-20        | 12-16         | 9-11               | 19-25               | 315-335                                | 89-99                 | 4-8          | 4-8           | 7-9                | 12-18               |
|        | 11.25          | 198-218                                | 114-124               | 13-17        | 14-18         | 13-15              | 19-25               | 318-338                                | 93-103                | 5-9          | 4-8           | 5-7                | 26-32               |
|        | 7.5            | 217-237                                | 115-125               | 11-15        | 18-22         | 20-22              | 19-25               | 309-329                                | 84-94                 | 4-8          | 11-15         | 10-12              | 24-30               |
| 70     | 15             | 253-273                                | 120-130               | 9-13         | 13-17         | 9-11               | 18-24               | 349-369                                | 122-132               | 7-11         | 3-7           | 9-11               | 13-19               |
|        | 11.25          | 265-285                                | 120-130               | 9-13         | 15-19         | 13-15              | 18-24               | 353-373                                | 126-136               | 8-12         | 3-7           | 7-9                | 32-38               |
|        | 7.5            | 289-309                                | 121-131               | 7-11         | 20-24         | 19-21              | 18-24               | 341-361                                | 114-124               | 6-10         | 13-17         | 13-15              | 30-36               |
| 90     | 15             | 335-355                                | 126-136               | 6-10         | 14-18         | 9-11               | 17-23               | 386-406                                | 157-167               | 13-17        | 2-6           | 11-13              | 13-19               |
|        | 11.25          | 348-368                                | 126-136               | 6-10         | 16-20         | 13-15              | 18-24               | 391-411                                | 163-173               | 14-18        | 2-6           | 8-10               | 39-45               |
|        | 7.5            | 376-396                                | 127-137               | 5-9          | 21-25         | 19-21              | 18-24               | 376-396                                | 148-158               | 10-14        | 15-19         | 16-18              | 36-42               |
| 120    | 15             | 490-510                                | 132-142               | 6-10         | 15-19         | 8-10               | 15-21               |  |                       |              |               |                    |                     |
|        | 11.25          | 506-526                                | 132-142               | 6-10         | 18-22         | 12-14              | 16-22               |  |                       |              |               |                    |                     |
|        | 7.5            | 535-555                                | 133-143               | 6-10         | 21-25         | 18-20              | 16-22               |  |                       |              |               |                    |                     |

1. Based on 20% methanol antifreeze solution

# Unit Operating Conditions

**⚠ WARNING**

When the disconnect switch is closed, high voltage is present in some areas of the electrical panel. Exercise caution when working with energized equipment.

**⚠ CAUTION**

Verify that ALL water control valves are open and allow water flow prior to engaging the compressor. Freezing of the coax or water lines can permanently damage the heat pump.

**⚠ CAUTION**

Many units are installed with a factory or field supplied manual or electric shutoff valve. **DAMAGE WILL OCCUR** if shutoff valve is closed during unit operation. A high pressure switch must be installed on the heat pump side of any field provided shutoff valves and connected to the heat pump controls in series with the built-in refrigerant circuit high pressure switch to disable compressor operation if water pressure exceeds pressure switch setting. The field installed high pressure switch shall have a cut-out pressure of 300 psig and a cut-in pressure of 250 psig.

**Table 10: MZ Coax Water Pressure Drop**

| Model | GPM   | Pressure Drop (psi) |      |      |      |       |
|-------|-------|---------------------|------|------|------|-------|
|       |       | 30°F*               | 50°F | 70°F | 90°F | 110°F |
| MZ024 | 2.20  | 0.8                 | 0.5  | 0.4  | 0.3  | 0.3   |
|       | 3.00  | 1.3                 | 0.8  | 0.6  | 0.6  | 0.5   |
|       | 4.50  | 2.4                 | 1.6  | 1.3  | 1.2  | 1.1   |
|       | 6.00  | 3.5                 | 2.5  | 2.1  | 2.0  | 1.8   |
| MZ030 | 2.80  | 1.1                 | 0.6  | 0.4  | 0.4  | 0.3   |
|       | 3.80  | 1.8                 | 1.0  | 0.8  | 0.7  | 0.7   |
|       | 5.60  | 3.3                 | 2.1  | 1.7  | 1.6  | 1.4   |
|       | 7.50  | 4.8                 | 3.3  | 2.8  | 2.7  | 2.5   |
| MZ036 | 3.40  | 1.0                 | 0.7  | 0.6  | 0.6  | 0.6   |
|       | 4.50  | 1.6                 | 1.1  | 1.0  | 0.9  | 0.9   |
|       | 6.80  | 3.0                 | 2.0  | 1.7  | 1.7  | 1.6   |
|       | 9.00  | 4.4                 | 3.3  | 2.8  | 2.7  | 2.6   |
| MZ042 | 4.25  | 0.9                 | 0.8  | 0.8  | 0.8  | 0.7   |
|       | 5.25  | 1.4                 | 1.2  | 1.1  | 1.1  | 1.0   |
|       | 7.90  | 2.7                 | 2.3  | 2.1  | 2.1  | 1.9   |
|       | 10.50 | 4.3                 | 3.7  | 3.5  | 3.3  | 3.1   |
| MZ048 | 4.20  | 0.6                 | 0.6  | 0.7  | 0.7  | 0.5   |
|       | 6.00  | 1.4                 | 1.2  | 1.1  | 1.0  | 1.0   |
|       | 9.00  | 3.0                 | 2.6  | 2.3  | 2.1  | 2.0   |
|       | 12.00 | 4.9                 | 4.4  | 4.0  | 3.6  | 3.3   |
| MZ060 | 5.25  | 1.6                 | 1.3  | 1.1  | 1.0  | 1.0   |
|       | 7.50  | 2.6                 | 2.3  | 2.0  | 1.9  | 1.7   |
|       | 11.25 | 5.1                 | 4.4  | 4.0  | 3.7  | 3.4   |
|       | 15.00 | 8.2                 | 7.2  | 6.5  | 6.1  | 5.6   |

Models:  
MZ  
024-060

# Performance Data

## MZ\*024 EC Blower Motor (Full Load)

### 800 CFM Rated Airflow

| EWT<br>°F | GPM                       | WPD |     | COOLING - EAT 80/67°F |      |      |      |      |       |            | GPM | WPD |      | HEATING - EAT 70°F |      |      |      |      |            |     |     |     |      |      |      |      |       |     |
|-----------|---------------------------|-----|-----|-----------------------|------|------|------|------|-------|------------|-----|-----|------|--------------------|------|------|------|------|------------|-----|-----|-----|------|------|------|------|-------|-----|
|           |                           | PSI | FT  | TC                    | SC   | kW   | HR   | EER  | LWT   | HWG<br>Cap |     | PSI | FT   | HC                 | kW   | HE   | COP  | LWT  | HWG<br>Cap |     |     |     |      |      |      |      |       |     |
| 20        | Operation Not Recommended |     |     |                       |      |      |      |      |       |            | 6.0 | 4.4 | 10.1 | 15.7               | 1.45 | 10.5 | 3.2  | 16.5 | 1.9        |     |     |     |      |      |      |      |       |     |
| 30        | 2.1                       | 0.7 | 1.7 | 28.1                  | 20.1 | 1.16 | 32.1 | 24.2 | 60.0  | 1.2        | 3.0 | 1.3 | 3.1  | 17.4               | 1.48 | 12.1 | 3.4  | 21.9 | 2.0        |     |     |     |      |      |      |      |       |     |
|           |                           |     |     |                       |      |      |      |      |       |            | 4.5 | 2.4 | 5.6  | 18.2               | 1.49 | 12.9 | 3.6  | 24.3 | 2.1        |     |     |     |      |      |      |      |       |     |
|           |                           |     |     |                       |      |      |      |      |       |            | 6.0 | 3.5 | 8.1  | 18.6               | 1.50 | 13.3 | 3.6  | 25.6 | 2.1        |     |     |     |      |      |      |      |       |     |
| 40        | 3.2                       | 1.1 | 2.6 | 27.6                  | 19.7 | 1.17 | 31.5 | 23.6 | 60.0  | 1.2        | 3.0 | 1.0 | 2.4  | 20.1               | 1.53 | 14.7 | 3.9  | 30.2 | 2.3        |     |     |     |      |      |      |      |       |     |
|           |                           |     |     |                       |      |      |      |      |       |            | 4.5 | 1.9 | 4.5  | 21.0               | 1.54 | 15.5 | 4.0  | 33.1 | 2.3        |     |     |     |      |      |      |      |       |     |
|           |                           |     |     |                       |      |      |      |      |       |            | 6.0 | 2.9 | 6.6  | 21.5               | 1.55 | 16.0 | 4.1  | 34.7 | 2.4        |     |     |     |      |      |      |      |       |     |
| 50        | 3.0                       | 0.8 | 1.9 | 26.8                  | 19.4 | 1.23 | 31.2 | 21.8 | 70.8  | 1.5        | 3.0 | 0.8 | 1.9  | 22.8               | 1.58 | 17.2 | 4.2  | 38.6 | 2.5        |     |     |     |      |      |      |      |       |     |
|           |                           |     |     |                       |      |      |      |      |       |            | 4.5 | 1.6 | 3.7  | 27.3               | 1.16 | 31.5 | 23.6 | 64.0 | 1.3        | 4.5 | 1.6 | 3.7 | 23.9 | 1.60 | 18.2 | 4.4  | 41.9  | 2.6 |
|           |                           |     |     |                       |      |      |      |      |       |            | 6.0 | 2.5 | 5.7  | 27.5               | 1.12 | 31.5 | 24.5 | 60.5 | 1.2        | 6.0 | 2.5 | 5.7 | 24.4 | 1.61 | 18.7 | 4.4  | 43.8  | 2.7 |
| 60        | 3.0                       | 0.7 | 1.6 | 25.8                  | 19.0 | 1.34 | 30.6 | 19.2 | 80.4  | 1.9        | 3.0 | 0.7 | 1.6  | 25.5               | 1.63 | 19.7 | 4.6  | 46.9 | 2.8        |     |     |     |      |      |      |      |       |     |
|           |                           |     |     |                       |      |      |      |      |       |            | 4.5 | 1.4 | 3.2  | 26.5               | 1.26 | 31.0 | 21.0 | 73.8 | 1.7        | 4.5 | 1.4 | 3.2 | 26.7 | 1.66 | 20.8 | 4.7  | 50.8  | 2.9 |
|           |                           |     |     |                       |      |      |      |      |       |            | 6.0 | 2.2 | 5.1  | 26.8               | 1.22 | 31.2 | 21.9 | 70.4 | 1.6        | 6.0 | 2.2 | 5.1 | 27.4 | 1.67 | 21.4 | 4.8  | 52.9  | 3.0 |
| 70        | 3.0                       | 0.6 | 1.5 | 24.5                  | 18.3 | 1.49 | 29.8 | 16.5 | 89.9  | 2.4        | 3.0 | 0.6 | 1.5  | 28.1               | 1.69 | 22.1 | 4.9  | 55.3 | 3.1        |     |     |     |      |      |      |      |       |     |
|           |                           |     |     |                       |      |      |      |      |       |            | 4.5 | 1.3 | 3.0  | 25.4               | 1.39 | 30.3 | 18.3 | 83.5 | 2.2        | 4.5 | 1.3 | 3.0 | 29.5 | 1.72 | 23.4 | 5.0  | 59.6  | 3.2 |
|           |                           |     |     |                       |      |      |      |      |       |            | 6.0 | 2.1 | 4.8  | 25.8               | 1.34 | 30.6 | 19.2 | 80.2 | 2.0        | 6.0 | 2.1 | 4.8 | 30.3 | 1.74 | 24.1 | 5.1  | 62.0  | 3.3 |
| 80        | 3.0                       | 0.6 | 1.4 | 23.2                  | 17.6 | 1.66 | 29.1 | 14.0 | 99.4  | 3.1        | 3.0 | 0.6 | 1.4  | 30.8               | 1.75 | 24.6 | 5.2  | 63.6 | 3.5        |     |     |     |      |      |      |      |       |     |
|           |                           |     |     |                       |      |      |      |      |       |            | 4.5 | 1.2 | 2.9  | 24.1               | 1.54 | 29.6 | 15.6 | 93.1 | 2.9        | 4.5 | 1.2 | 2.9 | 32.3 | 1.78 | 25.9 | 5.3  | 68.5  | 3.6 |
|           |                           |     |     |                       |      |      |      |      |       |            | 6.0 | 2.0 | 4.6  | 24.5               | 1.49 | 29.8 | 16.5 | 89.9 | 2.6        | 6.0 | 2.0 | 4.6 | 33.1 | 1.80 | 26.7 | 5.4  | 71.1  | 3.7 |
| 90        | 3.0                       | 0.6 | 1.4 | 21.8                  | 17.0 | 1.87 | 28.5 | 11.7 | 109.0 | 3.9        | 2.6 | 0.4 | 0.9  | 32.8               | 1.87 | 26.4 | 5.1  | 70.0 | 3.8        |     |     |     |      |      |      |      |       |     |
|           |                           |     |     |                       |      |      |      |      |       |            |     |     |      |                    |      |      |      |      |            | 4.5 | 1.2 | 2.8 | 22.7 | 1.73 | 28.9 | 13.1 | 102.8 | 3.6 |
|           |                           |     |     |                       |      |      |      |      |       |            |     |     |      |                    |      |      |      |      |            | 6.0 | 2.0 | 4.6 | 23.1 | 1.66 | 29.1 | 13.9 | 99.7  | 3.3 |
| 100       | 3.0                       | 0.6 | 1.3 | 20.6                  | 16.4 | 2.14 | 28.2 | 9.6  | 118.8 | 4.8        | 1.8 | 0.1 | 0.2  | 32.8               | 1.87 | 26.4 | 5.1  | 70.0 | 3.8        |     |     |     |      |      |      |      |       |     |
|           |                           |     |     |                       |      |      |      |      |       |            |     |     |      |                    |      |      |      |      |            | 4.5 | 1.2 | 2.7 | 21.3 | 1.97 | 28.3 | 10.9 | 112.6 | 4.4 |
|           |                           |     |     |                       |      |      |      |      |       |            |     |     |      |                    |      |      |      |      |            | 6.0 | 1.9 | 4.5 | 21.8 | 1.89 | 28.5 | 11.5 | 109.5 | 4.0 |
| 110       | 3.0                       | 0.5 | 1.2 | 19.5                  | 16.0 | 2.47 | 28.3 | 7.9  | 128.8 | 5.8        | 1.3 | 0.1 | 0.2  | 32.8               | 1.87 | 26.4 | 5.1  | 70.0 | 3.8        |     |     |     |      |      |      |      |       |     |
|           |                           |     |     |                       |      |      |      |      |       |            |     |     |      |                    |      |      |      |      |            | 4.5 | 1.1 | 2.6 | 20.1 | 2.26 | 28.1 | 8.9  | 122.5 | 5.3 |
|           |                           |     |     |                       |      |      |      |      |       |            |     |     |      |                    |      |      |      |      |            | 6.0 | 1.8 | 4.2 | 20.5 | 2.16 | 28.2 | 9.5  | 119.4 | 4.9 |
| 120       | 3.0                       | 0.4 | 1.0 | 18.8                  | 16.0 | 2.89 | 29.0 | 6.5  | 139.4 | 7.0        | 1.1 | 0.1 | 0.2  | 32.8               | 1.87 | 26.4 | 5.1  | 70.0 | 3.8        |     |     |     |      |      |      |      |       |     |
|           |                           |     |     |                       |      |      |      |      |       |            |     |     |      |                    |      |      |      |      |            | 4.5 | 0.9 | 2.2 | 19.2 | 2.61 | 28.5 | 7.3  | 132.6 | 6.4 |
|           |                           |     |     |                       |      |      |      |      |       |            |     |     |      |                    |      |      |      |      |            | 6.0 | 1.6 | 3.8 | 19.4 | 2.49 | 28.3 | 7.8  | 129.4 | 5.8 |

- Interpolation is permissible; extrapolation is not.
- All entering air conditions are 80°F (26.6°C) DB and 67°F (19.4°C) WB in cooling, and 70°F (21°C) DB in heating.
- AHRI/ISO certified conditions are 80.6°F (27°C) DB and 66.2°F (19°C) WB in cooling and 68°F (20°C) DB in heating.
- Table does not reflect fan or pump power corrections for AHRI/ISO conditions.
- All performance is based upon the lower voltage of dual voltage rated units.
- Performance stated is at the rated power supply; performance may vary as the power supply varies from the rated.
- Operation below 40°F (10.0°C) EWT is based upon 20% methanol antifreeze solution.
- Operation below 60°F (15.5°C) EWT requires optional insulated water/refrigerant circuit.
- See performance correction tables for operating conditions other than those listed above.
- See Performance Data Selection Notes for operation in the shaded areas.
- Regular Cooling operation with an EWT of less than 50°F (10.0°C) is not recommended unless variable water flow is available.
- Regular Heating operation with an EWT of more than 90°F (32°C) is not recommended unless variable water flow is available.
- For quiet operation and long term reliability, it is recommended that systems be designed to avoid continuous operation in the outlined areas.
- Performance capacities shown in thousands of Btuh
- Hot Water Generator Capacity is based on 90°F entering water and 0.5 GPM/Ton.

# Performance Data

## MZ\*030 EC Blower Motor (Full Load)

Models:  
MZ  
024-060

### 900 CFM Rated Airflow

| EWT<br>°F | GPM                       | WPD |     | COOLING - EAT 80/67°F |      |      |      |      |       |            | GPM | WPD |      | HEATING - EAT 70°F |      |      |     |      |            |
|-----------|---------------------------|-----|-----|-----------------------|------|------|------|------|-------|------------|-----|-----|------|--------------------|------|------|-----|------|------------|
|           |                           | PSI | FT  | TC                    | SC   | kW   | HR   | EER  | LWT   | HWG<br>Cap |     | PSI | FT   | HC                 | kW   | HE   | COP | LWT  | HWG<br>Cap |
| 20        | Operation Not Recommended |     |     |                       |      |      |      |      |       |            | 7.5 | 6.0 | 13.8 | 20.9               | 1.93 | 14.0 | 3.2 | 16.3 | 1.9        |
| 30        | 2.6                       | 0.8 | 1.9 | 33.8                  | 22.9 | 1.49 | 38.8 | 22.7 | 60.0  | 1.0        | 3.8 | 1.8 | 4.1  | 22.8               | 1.98 | 15.8 | 3.4 | 21.7 | 2.0        |
|           |                           |     |     |                       |      |      |      |      |       |            | 5.6 | 3.3 | 7.5  | 23.6               | 2.01 | 16.5 | 3.5 | 24.1 | 2.0        |
|           |                           |     |     |                       |      |      |      |      |       |            | 7.5 | 4.8 | 11.0 | 24.1               | 2.02 | 16.9 | 3.5 | 25.5 | 2.1        |
| 40        | 3.9                       | 1.4 | 3.2 | 33.6                  | 22.8 | 1.51 | 38.7 | 22.2 | 60.0  | 1.0        | 3.8 | 1.3 | 3.1  | 25.8               | 2.07 | 18.5 | 3.7 | 30.3 | 2.2        |
|           |                           |     |     |                       |      |      |      |      |       |            | 5.6 | 2.6 | 5.9  | 26.8               | 2.10 | 19.3 | 3.7 | 33.1 | 2.3        |
|           |                           |     |     |                       |      |      |      |      |       |            | 7.5 | 3.9 | 9.0  | 27.4               | 2.11 | 19.8 | 3.8 | 34.7 | 2.3        |
| 50        | 3.8                       | 1.0 | 2.4 | 32.6                  | 22.4 | 1.60 | 38.3 | 20.4 | 70.2  | 1.5        | 3.8 | 1.0 | 2.4  | 28.8               | 2.15 | 21.2 | 3.9 | 38.9 | 2.5        |
|           |                           |     |     |                       |      |      |      |      |       |            | 5.6 | 2.1 | 4.8  | 33.2               | 2.19 | 22.2 | 4.0 | 42.1 | 2.6        |
|           |                           |     |     |                       |      |      |      |      |       |            | 7.5 | 3.3 | 7.6  | 33.6               | 2.20 | 22.8 | 4.1 | 43.9 | 2.6        |
| 60        | 3.8                       | 0.9 | 2.0 | 31.5                  | 22.0 | 1.77 | 37.8 | 17.8 | 79.9  | 2.1        | 3.8 | 0.9 | 2.0  | 31.8               | 2.24 | 23.9 | 4.2 | 47.4 | 2.9        |
|           |                           |     |     |                       |      |      |      |      |       |            | 5.6 | 1.8 | 4.2  | 32.2               | 2.27 | 25.0 | 4.3 | 51.1 | 3.0        |
|           |                           |     |     |                       |      |      |      |      |       |            | 7.5 | 3.0 | 6.8  | 32.6               | 2.29 | 25.6 | 4.3 | 53.2 | 3.0        |
| 70        | 3.8                       | 0.8 | 1.8 | 30.3                  | 21.5 | 1.97 | 37.3 | 15.4 | 89.6  | 2.9        | 3.8 | 0.8 | 1.8  | 34.8               | 2.32 | 26.5 | 4.4 | 56.0 | 3.3        |
|           |                           |     |     |                       |      |      |      |      |       |            | 5.6 | 1.7 | 3.8  | 31.1               | 2.36 | 27.7 | 4.5 | 60.1 | 3.4        |
|           |                           |     |     |                       |      |      |      |      |       |            | 7.5 | 2.8 | 6.4  | 31.5               | 2.38 | 28.5 | 4.5 | 62.4 | 3.5        |
| 80        | 3.8                       | 0.7 | 1.7 | 28.9                  | 20.9 | 2.20 | 36.8 | 13.1 | 99.3  | 3.7        | 3.8 | 0.7 | 1.7  | 37.7               | 2.40 | 29.1 | 4.6 | 64.7 | 3.8        |
|           |                           |     |     |                       |      |      |      |      |       |            | 5.6 | 1.6 | 3.7  | 29.8               | 2.45 | 30.4 | 4.7 | 69.1 | 3.9        |
|           |                           |     |     |                       |      |      |      |      |       |            | 7.5 | 2.7 | 6.3  | 30.2               | 2.47 | 31.2 | 4.7 | 71.7 | 4.0        |
| 90        | 3.8                       | 0.7 | 1.7 | 27.5                  | 20.3 | 2.46 | 36.2 | 11.2 | 109.1 | 4.6        | 3.1 | 0.3 | 0.7  | 39.5               | 2.56 | 30.7 | 4.5 | 70.0 | 4.4        |
|           |                           |     |     |                       |      |      |      |      |       |            | 5.6 | 1.6 | 3.7  | 28.4               | 2.56 | 30.7 | 4.5 | 70.0 | 4.4        |
|           |                           |     |     |                       |      |      |      |      |       |            | 7.5 | 2.7 | 6.2  | 28.9               | 2.56 | 30.7 | 4.5 | 70.0 | 4.4        |
| 100       | 3.8                       | 0.7 | 1.7 | 25.9                  | 19.6 | 2.76 | 35.7 | 9.4  | 118.8 | 5.6        | 2.0 | 0.1 | 0.2  | 39.5               | 2.56 | 30.7 | 4.5 | 70.0 | 4.4        |
|           |                           |     |     |                       |      |      |      |      |       |            | 5.6 | 1.5 | 3.6  | 26.9               | 2.56 | 30.7 | 4.5 | 70.0 | 4.4        |
|           |                           |     |     |                       |      |      |      |      |       |            | 7.5 | 2.6 | 6.1  | 27.4               | 2.56 | 30.7 | 4.5 | 70.0 | 4.4        |
| 110       | 3.8                       | 0.7 | 1.5 | 24.3                  | 18.8 | 3.10 | 35.3 | 7.8  | 128.6 | 6.8        | 1.5 | 0.1 | 0.2  | 39.5               | 2.56 | 30.7 | 4.5 | 70.0 | 4.4        |
|           |                           |     |     |                       |      |      |      |      |       |            | 5.6 | 1.4 | 3.3  | 25.3               | 2.56 | 30.7 | 4.5 | 70.0 | 4.4        |
|           |                           |     |     |                       |      |      |      |      |       |            | 7.5 | 2.5 | 5.8  | 25.8               | 2.56 | 30.7 | 4.5 | 70.0 | 4.4        |
| 120       | 3.8                       | 0.5 | 1.2 | 22.6                  | 17.9 | 3.48 | 34.9 | 6.5  | 138.4 | 8.0        | 1.2 | 0.1 | 0.2  | 39.5               | 2.56 | 30.7 | 4.5 | 70.0 | 4.4        |
|           |                           |     |     |                       |      |      |      |      |       |            | 5.6 | 1.2 | 2.9  | 23.6               | 2.56 | 30.7 | 4.5 | 70.0 | 4.4        |
|           |                           |     |     |                       |      |      |      |      |       |            | 7.5 | 2.2 | 5.1  | 24.1               | 2.56 | 30.7 | 4.5 | 70.0 | 4.4        |

- Interpolation is permissible; extrapolation is not.
- All entering air conditions are 80°F (26.6°C) DB and 67°F (19.4°C) WB in cooling, and 70°F (21°C) DB in heating.
- AHRI/ISO certified conditions are 80.6°F (27°C) DB and 66.2°F (19°C) WB in cooling and 68°F (20°C) DB in heating.
- Table does not reflect fan or pump power corrections for AHRI/ISO conditions.
- All performance is based upon the lower voltage of dual voltage rated units.
- Performance stated is at the rated power supply; performance may vary as the power supply varies from the rated.
- Operation below 40°F (10.0°C) EWT is based upon 20% methanol antifreeze solution.
- Operation below 60°F (15.5°C) EWT requires optional insulated water/refrigerant circuit.
- See performance correction tables for operating conditions other than those listed above.
- See Performance Data Selection Notes for operation in the shaded areas.
- Regular Cooling operation with an EWT of less than 50°F (10.0°C) is not recommended unless variable water flow is available.
- Regular Heating operation with an EWT of more than 90°F (32°C) is not recommended unless variable water flow is available.
- For quiet operation and long term reliability, it is recommended that systems be designed to avoid continuous operation in the outlined areas.
- Performance capacities shown in thousands of Btuh
- Hot Water Generator Capacity is based on 90°F entering water and 0.5 GPM/Ton.

Models:  
MZ  
024-060

# Performance Data

## MZ\*036 EC Blower Motor (Full Load)

### 1150 CFM Rated Airflow

| EWT<br>°F | GPM                       | WPD |     | COOLING - EAT 80/67°F |      |      |      |      |       |            | GPM | WPD |      | HEATING - EAT 70°F |      |      |      |      |            |     |     |     |      |      |      |      |      |       |     |
|-----------|---------------------------|-----|-----|-----------------------|------|------|------|------|-------|------------|-----|-----|------|--------------------|------|------|------|------|------------|-----|-----|-----|------|------|------|------|------|-------|-----|
|           |                           | PSI | FT  | TC                    | SC   | kW   | HR   | EER  | LWT   | HWG<br>Cap |     | PSI | FT   | HC                 | kW   | HE   | COP  | LWT  | HWG<br>Cap |     |     |     |      |      |      |      |      |       |     |
| 20        | Operation Not Recommended |     |     |                       |      |      |      |      |       |            | 9.0 | 5.2 | 12.1 | 25.1               | 2.26 | 17.0 | 3.3  | 16.2 | 2.4        |     |     |     |      |      |      |      |      |       |     |
| 30        | 3.1                       | 0.7 | 1.5 | 40.0                  | 28.3 | 1.87 | 46.3 | 21.4 | 60.0  | 1.2        | 4.5 | 1.6 | 3.6  | 27.4               | 2.32 | 19.2 | 3.5  | 21.5 | 2.4        |     |     |     |      |      |      |      |      |       |     |
|           |                           |     |     |                       |      |      |      |      |       |            | 6.8 | 3.0 | 6.8  | 28.6               | 2.35 | 20.3 | 3.6  | 24.0 | 2.5        |     |     |     |      |      |      |      |      |       |     |
|           |                           |     |     |                       |      |      |      |      |       |            | 9.0 | 4.4 | 10.1 | 29.2               | 2.36 | 20.8 | 3.6  | 25.4 | 2.6        |     |     |     |      |      |      |      |      |       |     |
| 40        | 4.6                       | 1.3 | 3.1 | 39.8                  | 28.2 | 1.90 | 46.3 | 20.9 | 60.0  | 1.2        | 4.5 | 1.3 | 3.0  | 31.4               | 2.42 | 22.8 | 3.8  | 29.9 | 2.7        |     |     |     |      |      |      |      |      |       |     |
|           |                           |     |     |                       |      |      |      |      |       |            | 6.8 | 2.4 | 5.5  | 32.9               | 2.46 | 24.1 | 3.9  | 32.9 | 2.8        |     |     |     |      |      |      |      |      |       |     |
|           |                           |     |     |                       |      |      |      |      |       |            | 9.0 | 3.7 | 8.6  | 33.7               | 2.48 | 24.8 | 4.0  | 34.5 | 2.8        |     |     |     |      |      |      |      |      |       |     |
| 50        | 4.5                       | 1.1 | 2.6 | 38.6                  | 27.4 | 1.96 | 45.6 | 19.7 | 70.3  | 1.8        | 4.5 | 1.1 | 2.6  | 35.5               | 2.53 | 26.5 | 4.1  | 38.2 | 3.0        |     |     |     |      |      |      |      |      |       |     |
|           |                           |     |     |                       |      |      |      |      |       |            | 6.8 | 2.0 | 4.7  | 39.4               | 2.79 | 1.87 | 46.0 | 21.1 | 63.5       | 1.6 | 6.8 | 2.0 | 4.7  | 37.3 | 2.58 | 28.1 | 4.2  | 41.7  | 3.1 |
|           |                           |     |     |                       |      |      |      |      |       |            | 9.0 | 3.3 | 7.6  | 39.7               | 28.2 | 1.83 | 46.3 | 21.7 | 60.3       | 1.5 | 9.0 | 3.3 | 7.6  | 38.2 | 2.60 | 29.0 | 4.3  | 43.6  | 3.2 |
| 60        | 4.5                       | 1.0 | 2.4 | 37.4                  | 26.7 | 2.13 | 45.0 | 17.5 | 80.0  | 2.5        | 4.5 | 1.0 | 2.4  | 39.7               | 2.64 | 30.4 | 4.4  | 46.5 | 3.5        |     |     |     |      |      |      |      |      |       |     |
|           |                           |     |     |                       |      |      |      |      |       |            | 6.8 | 1.8 | 4.2  | 38.2               | 27.2 | 2.01 | 45.4 | 19.0 | 73.4       | 2.3 | 6.8 | 1.8 | 4.2  | 41.8 | 2.70 | 32.2 | 4.5  | 50.5  | 3.6 |
|           |                           |     |     |                       |      |      |      |      |       |            | 9.0 | 3.0 | 6.9  | 38.6               | 27.4 | 1.96 | 45.6 | 19.7 | 70.1       | 2.1 | 9.0 | 3.0 | 6.9  | 42.9 | 2.73 | 33.2 | 4.6  | 52.6  | 3.7 |
| 70        | 4.5                       | 1.0 | 2.2 | 35.9                  | 26.0 | 2.34 | 44.3 | 15.4 | 89.7  | 3.4        | 4.5 | 1.0 | 2.2  | 44.0               | 2.77 | 34.2 | 4.7  | 54.8 | 4.1        |     |     |     |      |      |      |      |      |       |     |
|           |                           |     |     |                       |      |      |      |      |       |            | 6.8 | 1.7 | 4.0  | 36.9               | 26.4 | 2.20 | 44.7 | 16.8 | 83.2       | 3.1 | 6.8 | 1.7 | 4.0  | 46.3 | 2.84 | 36.3 | 4.8  | 59.3  | 4.2 |
|           |                           |     |     |                       |      |      |      |      |       |            | 9.0 | 2.8 | 6.5  | 37.4               | 26.7 | 2.13 | 45.0 | 17.5 | 80.0       | 2.9 | 9.0 | 2.8 | 6.5  | 47.6 | 2.88 | 37.3 | 4.8  | 61.7  | 4.3 |
| 80        | 4.5                       | 0.9 | 2.1 | 34.4                  | 25.3 | 2.58 | 43.6 | 13.3 | 99.4  | 4.4        | 4.5 | 0.9 | 2.1  | 48.3               | 2.90 | 38.0 | 4.9  | 63.1 | 4.7        |     |     |     |      |      |      |      |      |       |     |
|           |                           |     |     |                       |      |      |      |      |       |            | 6.8 | 1.7 | 4.0  | 35.4               | 25.7 | 2.42 | 44.0 | 14.7 | 92.9       | 4.1 | 6.8 | 1.7 | 4.0  | 50.8 | 2.99 | 40.2 | 5.0  | 68.2  | 4.8 |
|           |                           |     |     |                       |      |      |      |      |       |            | 9.0 | 2.7 | 6.3  | 35.9               | 25.9 | 2.34 | 44.2 | 15.3 | 89.8       | 3.7 | 9.0 | 2.7 | 6.3  | 52.1 | 3.04 | 41.3 | 5.0  | 70.8  | 5.0 |
| 90        | 4.5                       | 0.9 | 2.1 | 32.7                  | 24.6 | 2.86 | 42.8 | 11.4 | 109.0 | 5.6        | 4.1 | 0.7 | 1.6  | 51.8               | 3.15 | 41.0 | 4.8  | 70.0 | 5.4        |     |     |     |      |      |      |      |      |       |     |
|           |                           |     |     |                       |      |      |      |      |       |            |     |     |      |                    |      |      |      |      |            | 6.8 | 1.7 | 3.9 | 33.8 | 25.0 | 2.67 | 43.3 | 12.6 | 102.7 | 5.1 |
|           |                           |     |     |                       |      |      |      |      |       |            |     |     |      |                    |      |      |      |      |            | 9.0 | 2.7 | 6.2 | 34.3 | 25.2 | 2.59 | 43.5 | 13.3 | 99.7  | 4.7 |
| 100       | 4.5                       | 0.9 | 2.1 | 30.8                  | 24.0 | 3.18 | 42.1 | 9.7  | 118.7 | 6.9        | 2.7 | 0.1 | 0.2  | 51.8               | 3.15 | 41.0 | 4.8  | 70.0 | 5.4        |     |     |     |      |      |      |      |      |       |     |
|           |                           |     |     |                       |      |      |      |      |       |            |     |     |      |                    |      |      |      |      |            | 6.8 | 1.7 | 3.9 | 32.0 | 24.4 | 2.97 | 42.6 | 10.8 | 112.5 | 6.3 |
|           |                           |     |     |                       |      |      |      |      |       |            |     |     |      |                    |      |      |      |      |            | 9.0 | 2.7 | 6.1 | 32.6 | 24.6 | 2.88 | 42.8 | 11.3 | 109.5 | 5.7 |
| 110       | 4.5                       | 0.9 | 2.0 | 28.9                  | 23.3 | 3.53 | 41.4 | 8.2  | 128.4 | 8.3        | 2.1 | 0.1 | 0.2  | 51.8               | 3.15 | 41.0 | 4.8  | 70.0 | 5.4        |     |     |     |      |      |      |      |      |       |     |
|           |                           |     |     |                       |      |      |      |      |       |            |     |     |      |                    |      |      |      |      |            | 6.8 | 1.6 | 3.6 | 30.1 | 23.7 | 3.30 | 41.8 | 9.1  | 122.3 | 7.6 |
|           |                           |     |     |                       |      |      |      |      |       |            |     |     |      |                    |      |      |      |      |            | 9.0 | 2.6 | 5.9 | 30.7 | 23.9 | 3.20 | 42.1 | 9.6  | 119.3 | 6.9 |
| 120       | 4.5                       | 0.8 | 1.8 | 26.8                  | 22.7 | 3.91 | 40.7 | 6.8  | 138.1 | 9.9        | 1.6 | 0.1 | 0.2  | 51.8               | 3.15 | 41.0 | 4.8  | 70.0 | 5.4        |     |     |     |      |      |      |      |      |       |     |
|           |                           |     |     |                       |      |      |      |      |       |            |     |     |      |                    |      |      |      |      |            | 6.8 | 1.4 | 3.1 | 28.1 | 23.1 | 3.67 | 41.1 | 7.6  | 132.1 | 9.0 |
|           |                           |     |     |                       |      |      |      |      |       |            |     |     |      |                    |      |      |      |      |            | 9.0 | 2.4 | 5.6 | 28.7 | 23.3 | 3.56 | 41.3 | 8.1  | 129.2 | 8.2 |

- Interpolation is permissible; extrapolation is not.
- All entering air conditions are 80°F (26.6°C) DB and 67°F (19.4°C) WB in cooling, and 70°F (21°C) DB in heating.
- AHRI/ISO certified conditions are 80.6°F (27°C) DB and 66.2°F (19°C) WB in cooling and 68°F (20°C) DB in heating.
- Table does not reflect fan or pump power corrections for AHRI/ISO conditions.
- All performance is based upon the lower voltage of dual voltage rated units.
- Performance stated is at the rated power supply; performance may vary as the power supply varies from the rated.
- Operation below 40°F (10.0°C) EWT is based upon 20% methanol antifreeze solution.
- Operation below 60°F (15.5°C) EWT requires optional insulated water/refrigerant circuit.
- See performance correction tables for operating conditions other than those listed above.
- See Performance Data Selection Notes for operation in the shaded areas.
- Regular Cooling operation with an EWT of less than 50°F (10.0°C) is not recommended unless variable water flow is available.
- Regular Heating operation with an EWT of more than 90°F (32°C) is not recommended unless variable water flow is available.
- For quiet operation and long term reliability, it is recommended that systems be designed to avoid continuous operation in the outlined areas.
- Performance capacities shown in thousands of Btuh
- Hot Water Generator Capacity is based on 90°F entering water and 0.5 GPM/Ton.

# Performance Data

## MZ\*042 EC Blower Motor (Full Load)

Models:  
MZ  
024-060

### 1350 CFM Rated Airflow

| EWT<br>°F | GPM                       | WPD |     | COOLING - EAT 80/67°F |      |      |      |      |       |            | GPM  | WPD |      | HEATING - EAT 70°F |      |      |      |      |            |      |      |     |      |      |      |      |      |       |     |
|-----------|---------------------------|-----|-----|-----------------------|------|------|------|------|-------|------------|------|-----|------|--------------------|------|------|------|------|------------|------|------|-----|------|------|------|------|------|-------|-----|
|           |                           | PSI | FT  | TC                    | SC   | kW   | HR   | EER  | LWT   | HWG<br>Cap |      | PSI | FT   | HC                 | kW   | HE   | COP  | LWT  | HWG<br>Cap |      |      |     |      |      |      |      |      |       |     |
| 20        | Operation Not Recommended |     |     |                       |      |      |      |      |       |            | 10.5 | 4.9 | 11.2 | 27.7               | 2.78 | 17.8 | 2.9  | 16.6 | 3.3        |      |      |     |      |      |      |      |      |       |     |
| 30        | 3.6                       | 0.4 | 0.9 | 47.2                  | 32.7 | 2.14 | 54.5 | 22.0 | 60.0  | 2.3        | 5.3  | 1.4 | 3.1  | 30.1               | 2.85 | 19.9 | 3.1  | 22.4 | 3.3        |      |      |     |      |      |      |      |      |       |     |
|           |                           |     |     |                       |      |      |      |      |       |            | 7.9  | 2.7 | 6.3  | 31.1               | 2.87 | 20.9 | 3.2  | 24.7 | 3.4        |      |      |     |      |      |      |      |      |       |     |
|           |                           |     |     |                       |      |      |      |      |       |            | 10.5 | 4.3 | 10.0 | 31.7               | 2.88 | 21.5 | 3.2  | 25.9 | 3.5        |      |      |     |      |      |      |      |      |       |     |
| 40        | 5.3                       | 1.2 | 2.8 | 45.9                  | 31.6 | 2.15 | 53.2 | 21.3 | 60.0  | 2.3        | 5.3  | 1.2 | 2.9  | 34.3               | 2.93 | 23.9 | 3.4  | 30.9 | 3.6        |      |      |     |      |      |      |      |      |       |     |
|           |                           |     |     |                       |      |      |      |      |       |            | 7.9  | 2.5 | 5.7  | 35.8               | 2.96 | 25.3 | 3.6  | 33.6 | 3.7        |      |      |     |      |      |      |      |      |       |     |
|           |                           |     |     |                       |      |      |      |      |       |            | 10.5 | 4.0 | 9.2  | 36.7               | 2.97 | 26.1 | 3.6  | 35.0 | 3.8        |      |      |     |      |      |      |      |      |       |     |
| 50        | 5.3                       | 1.2 | 2.7 | 46.5                  | 32.5 | 2.27 | 54.6 | 20.5 | 70.8  | 2.7        | 5.3  | 1.2 | 2.7  | 39.1               | 3.01 | 28.4 | 3.8  | 39.2 | 4.0        |      |      |     |      |      |      |      |      |       |     |
|           |                           |     |     |                       |      |      |      |      |       |            | 7.9  | 2.3 | 5.3  | 46.2               | 32.0 | 2.13 | 53.8 | 21.7 | 63.6       | 2.5  | 7.9  | 2.3 | 5.3  | 41.0 | 3.04 | 30.2 | 4.0  | 42.4  | 4.1 |
|           |                           |     |     |                       |      |      |      |      |       |            | 10.5 | 3.7 | 8.6  | 45.9               | 31.6 | 2.07 | 53.2 | 22.2 | 60.1       | 2.3  | 10.5 | 3.7 | 8.6  | 42.1 | 3.06 | 31.2 | 4.0  | 44.1  | 4.2 |
| 60        | 5.3                       | 1.1 | 2.6 | 46.2                  | 32.6 | 2.50 | 55.1 | 18.5 | 81.0  | 3.2        | 5.3  | 1.1 | 2.6  | 44.1               | 3.09 | 33.1 | 4.2  | 47.4 | 4.3        |      |      |     |      |      |      |      |      |       |     |
|           |                           |     |     |                       |      |      |      |      |       |            | 7.9  | 2.2 | 5.1  | 46.5               | 32.6 | 2.34 | 54.8 | 19.9 | 73.9       | 3.0  | 7.9  | 2.2 | 5.1  | 46.4 | 3.13 | 35.3 | 4.4  | 51.1  | 4.5 |
|           |                           |     |     |                       |      |      |      |      |       |            | 10.5 | 3.6 | 8.2  | 46.5               | 32.5 | 2.26 | 54.6 | 20.5 | 70.4       | 2.7  | 10.5 | 3.6 | 8.2  | 47.7 | 3.15 | 36.5 | 4.4  | 53.1  | 4.6 |
| 70        | 5.3                       | 1.1 | 2.6 | 45.1                  | 32.1 | 2.77 | 54.9 | 16.3 | 90.9  | 3.9        | 5.3  | 1.1 | 2.6  | 49.2               | 3.17 | 37.9 | 4.5  | 55.6 | 4.8        |      |      |     |      |      |      |      |      |       |     |
|           |                           |     |     |                       |      |      |      |      |       |            | 7.9  | 2.1 | 4.9  | 45.9               | 32.5 | 2.58 | 55.1 | 17.8 | 83.9       | 3.6  | 7.9  | 2.1 | 4.9  | 51.7 | 3.22 | 40.3 | 4.7  | 59.8  | 4.9 |
|           |                           |     |     |                       |      |      |      |      |       |            | 10.5 | 3.5 | 8.0  | 46.2               | 32.6 | 2.49 | 55.1 | 18.6 | 80.5       | 3.3  | 10.5 | 3.5 | 8.0  | 53.1 | 3.25 | 41.5 | 4.8  | 62.1  | 5.1 |
| 80        | 5.3                       | 1.1 | 2.6 | 43.5                  | 31.2 | 3.08 | 54.4 | 14.1 | 100.7 | 4.8        | 5.3  | 1.1 | 2.6  | 54.1               | 3.27 | 42.4 | 4.8  | 63.8 | 5.3        |      |      |     |      |      |      |      |      |       |     |
|           |                           |     |     |                       |      |      |      |      |       |            | 7.9  | 2.1 | 4.9  | 44.7               | 31.9 | 2.85 | 54.8 | 15.7 | 93.9       | 4.5  | 7.9  | 2.1 | 4.9  | 56.7 | 3.33 | 44.8 | 5.0  | 68.7  | 5.4 |
|           |                           |     |     |                       |      |      |      |      |       |            | 10.5 | 3.4 | 7.8  | 45.2               | 32.1 | 2.75 | 55.0 | 16.4 | 90.5       | 4.0  | 10.5 | 3.4 | 7.8  | 58.0 | 3.36 | 46.0 | 5.1  | 71.2  | 5.6 |
| 90        | 5.3                       | 1.1 | 2.6 | 41.4                  | 30.2 | 3.45 | 53.6 | 12.0 | 110.4 | 6.0        | 4.6  | 0.8 | 1.8  | 57.5               | 3.48 | 45.6 | 4.8  | 70.0 | 5.9        |      |      |     |      |      |      |      |      |       |     |
|           |                           |     |     |                       |      |      |      |      |       |            |      |     |      |                    |      |      |      |      |            | 7.9  | 2.1  | 4.8 | 42.9 | 30.9 | 3.18 | 54.2 | 13.5 | 103.7 | 5.5 |
|           |                           |     |     |                       |      |      |      |      |       |            |      |     |      |                    |      |      |      |      |            | 10.5 | 3.3  | 7.7 | 43.5 | 31.3 | 3.07 | 54.4 | 14.2 | 100.4 | 5.0 |
| 100       | 5.3                       | 1.1 | 2.5 | 38.9                  | 28.9 | 3.88 | 52.7 | 10.0 | 120.1 | 7.4        | 3.0  | 0.1 | 0.2  | 57.5               | 3.48 | 45.6 | 4.8  | 70.0 | 5.9        |      |      |     |      |      |      |      |      |       |     |
|           |                           |     |     |                       |      |      |      |      |       |            |      |     |      |                    |      |      |      |      |            | 7.9  | 2.0  | 4.6 | 40.6 | 29.8 | 3.58 | 53.3 | 11.4 | 113.5 | 6.8 |
|           |                           |     |     |                       |      |      |      |      |       |            |      |     |      |                    |      |      |      |      |            | 10.5 | 3.2  | 7.5 | 41.4 | 30.2 | 3.44 | 53.6 | 12.0 | 110.2 | 6.1 |
| 110       | 5.3                       | 1.0 | 2.3 | 36.3                  | 27.7 | 4.40 | 51.9 | 8.2  | 129.8 | 8.9        | 2.3  | 0.1 | 0.2  | 57.5               | 3.48 | 45.6 | 4.8  | 70.0 | 5.9        |      |      |     |      |      |      |      |      |       |     |
|           |                           |     |     |                       |      |      |      |      |       |            |      |     |      |                    |      |      |      |      |            | 7.9  | 1.9  | 4.4 | 38.1 | 28.5 | 4.05 | 52.5 | 9.4  | 123.3 | 8.2 |
|           |                           |     |     |                       |      |      |      |      |       |            |      |     |      |                    |      |      |      |      |            | 10.5 | 3.1  | 7.1 | 39.0 | 28.9 | 3.88 | 52.7 | 10.0 | 120.0 | 7.5 |
| 120       | 5.3                       | 0.8 | 1.9 | 33.5                  | 26.5 | 5.01 | 51.3 | 6.7  | 139.6 | 10.8       | 1.8  | 0.1 | 0.2  | 57.5               | 3.48 | 45.6 | 4.8  | 70.0 | 5.9        |      |      |     |      |      |      |      |      |       |     |
|           |                           |     |     |                       |      |      |      |      |       |            |      |     |      |                    |      |      |      |      |            | 7.9  | 1.7  | 3.9 | 35.4 | 27.3 | 4.60 | 51.7 | 7.7  | 133.1 | 9.9 |
|           |                           |     |     |                       |      |      |      |      |       |            |      |     |      |                    |      |      |      |      |            | 10.5 | 2.9  | 6.6 | 36.3 | 27.7 | 4.41 | 51.9 | 8.2  | 129.9 | 9.0 |

- Interpolation is permissible; extrapolation is not.
- All entering air conditions are 80°F (26.6°C) DB and 67°F (19.4°C) WB in cooling, and 70°F (21°C) DB in heating.
- AHRI/ISO certified conditions are 80.6°F (27°C) DB and 66.2°F (19°C) WB in cooling and 68°F (20°C) DB in heating.
- Table does not reflect fan or pump power corrections for AHRI/ISO conditions.
- All performance is based upon the lower voltage of dual voltage rated units.
- Performance stated is at the rated power supply; performance may vary as the power supply varies from the rated.
- Operation below 40°F (10.0°C) EWT is based upon 20% methanol antifreeze solution.
- Operation below 60°F (15.5°C) EWT requires optional insulated water/refrigerant circuit.
- See performance correction tables for operating conditions other than those listed above.
- See Performance Data Selection tables for operation in the shaded areas.
- Regular Cooling operation with an EWT of less than 50°F (10.0°C) is not recommended unless variable water flow is available.
- Regular Heating operation with an EWT of more than 90°F (32°C) is not recommended unless variable water flow is available.
- For quiet operation and long term reliability, it is recommended that systems be designed to avoid continuous operation in the outlined areas.
- Performance capacities shown in thousands of Btuh
- Hot Water Generator Capacity is based on 90°F entering water and 0.5 GPM/Ton.

Models:  
MZ  
024-060

# Performance Data

## MZ\*048 EC Blower Motor (Full Load)

### 1550 CFM Rated Airflow

| EWT<br>°F | GPM                       | WPD |     | COOLING - EAT 80/67°F |      |      |      |      |       |            | GPM  | WPD |      | HEATING - EAT 70°F |      |      |      |      |            |      |      |     |      |      |      |      |      |       |     |
|-----------|---------------------------|-----|-----|-----------------------|------|------|------|------|-------|------------|------|-----|------|--------------------|------|------|------|------|------------|------|------|-----|------|------|------|------|------|-------|-----|
|           |                           | PSI | FT  | TC                    | SC   | kW   | HR   | EER  | LWT   | HWG<br>Cap |      | PSI | FT   | HC                 | kW   | HE   | COP  | LWT  | HWG<br>Cap |      |      |     |      |      |      |      |      |       |     |
| 20        | Operation Not Recommended |     |     |                       |      |      |      |      |       |            | 12.0 | 5.2 | 12.1 | 33.3               | 3.03 | 22.5 | 3.2  | 16.2 | 3.4        |      |      |     |      |      |      |      |      |       |     |
| 30        | 4.1                       | 0.2 | 0.6 | 53.3                  | 38.3 | 2.45 | 61.6 | 21.7 | 60.0  | 1.8        | 6.0  | 1.4 | 3.2  | 36.5               | 3.13 | 25.4 | 3.4  | 21.5 | 3.4        |      |      |     |      |      |      |      |      |       |     |
|           |                           |     |     |                       |      |      |      |      |       |            | 9.0  | 3.0 | 6.8  | 37.9               | 3.17 | 26.7 | 3.5  | 24.1 | 3.5        |      |      |     |      |      |      |      |      |       |     |
|           |                           |     |     |                       |      |      |      |      |       |            | 12.0 | 4.9 | 11.3 | 38.7               | 3.19 | 27.4 | 3.6  | 25.4 | 3.6        |      |      |     |      |      |      |      |      |       |     |
| 40        | 6.1                       | 1.3 | 3.0 | 52.6                  | 38.3 | 2.38 | 60.7 | 22.1 | 60.0  | 1.8        | 6.0  | 1.3 | 3.0  | 41.3               | 3.26 | 29.8 | 3.7  | 30.1 | 3.6        |      |      |     |      |      |      |      |      |       |     |
|           |                           |     |     |                       |      |      |      |      |       |            | 9.0  | 2.8 | 6.4  | 43.0               | 3.30 | 31.3 | 3.8  | 33.1 | 3.7        |      |      |     |      |      |      |      |      |       |     |
|           |                           |     |     |                       |      |      |      |      |       |            | 12.0 | 4.6 | 10.6 | 43.9               | 3.32 | 32.0 | 3.9  | 34.7 | 3.8        |      |      |     |      |      |      |      |      |       |     |
| 50        | 6.0                       | 1.2 | 2.9 | 51.6                  | 37.8 | 2.54 | 60.6 | 20.3 | 70.2  | 2.4        | 6.0  | 1.2 | 2.9  | 46.0               | 3.37 | 34.0 | 4.0  | 38.7 | 3.9        |      |      |     |      |      |      |      |      |       |     |
|           |                           |     |     |                       |      |      |      |      |       |            | 9.0  | 2.6 | 6.0  | 52.3               | 38.1 | 2.38 | 60.7 | 22.0 | 63.5       | 2.2  | 9.0  | 2.6 | 6.0  | 47.8 | 3.42 | 35.7 | 4.1  | 42.1  | 4.0 |
|           |                           |     |     |                       |      |      |      |      |       |            | 12.0 | 4.4 | 10.1 | 52.6               | 38.3 | 2.29 | 60.7 | 22.9 | 60.1       | 2.0  | 12.0 | 4.4 | 10.1 | 48.8 | 3.44 | 36.6 | 4.2  | 43.9  | 4.1 |
| 60        | 6.0                       | 1.2 | 2.7 | 50.1                  | 37.3 | 2.77 | 60.0 | 18.1 | 80.0  | 3.0        | 6.0  | 1.2 | 2.7  | 50.5               | 3.48 | 38.2 | 4.3  | 47.3 | 4.2        |      |      |     |      |      |      |      |      |       |     |
|           |                           |     |     |                       |      |      |      |      |       |            | 9.0  | 2.4 | 5.6  | 51.2               | 37.7 | 2.61 | 60.4 | 19.6 | 73.4       | 2.8  | 9.0  | 2.4 | 5.6  | 52.5 | 3.52 | 40.0 | 4.4  | 51.1  | 4.3 |
|           |                           |     |     |                       |      |      |      |      |       |            | 12.0 | 4.2 | 9.6  | 51.6               | 37.9 | 2.53 | 60.6 | 20.4 | 70.1       | 2.5  | 12.0 | 4.2 | 9.6  | 53.6 | 3.55 | 41.0 | 4.4  | 53.2  | 4.5 |
| 70        | 6.0                       | 1.1 | 2.6 | 48.3                  | 36.7 | 3.01 | 59.0 | 16.0 | 89.7  | 3.8        | 6.0  | 1.1 | 2.6  | 55.0               | 3.58 | 42.3 | 4.5  | 55.9 | 4.6        |      |      |     |      |      |      |      |      |       |     |
|           |                           |     |     |                       |      |      |      |      |       |            | 9.0  | 2.3 | 5.4  | 49.6               | 37.1 | 2.85 | 59.7 | 17.4 | 83.3       | 3.5  | 9.0  | 2.3 | 5.4  | 57.3 | 3.63 | 44.4 | 4.6  | 60.1  | 4.7 |
|           |                           |     |     |                       |      |      |      |      |       |            | 12.0 | 4.0 | 9.2  | 50.1               | 37.3 | 2.77 | 60.0 | 18.1 | 80.0       | 3.2  | 12.0 | 4.0 | 9.2  | 58.5 | 3.66 | 45.5 | 4.7  | 62.4  | 4.8 |
| 80        | 6.0                       | 1.1 | 2.5 | 46.2                  | 35.9 | 3.30 | 57.9 | 14.0 | 99.3  | 4.8        | 6.0  | 1.1 | 2.4  | 59.6               | 3.69 | 46.5 | 4.7  | 64.5 | 5.0        |      |      |     |      |      |      |      |      |       |     |
|           |                           |     |     |                       |      |      |      |      |       |            | 9.0  | 2.2 | 5.2  | 47.6               | 36.5 | 3.11 | 58.6 | 15.3 | 93.0       | 4.4  | 9.0  | 2.2 | 5.2  | 62.1 | 3.75 | 48.8 | 4.9  | 69.2  | 5.1 |
|           |                           |     |     |                       |      |      |      |      |       |            | 12.0 | 3.8 | 8.8  | 48.3               | 36.7 | 3.02 | 59.0 | 16.0 | 89.8       | 4.0  | 12.0 | 3.8 | 8.8  | 63.5 | 3.79 | 50.1 | 4.9  | 71.7  | 5.2 |
| 90        | 6.0                       | 1.0 | 2.4 | 43.8                  | 35.0 | 3.66 | 56.8 | 12.0 | 108.9 | 6.0        | 4.9  | 0.5 | 1.1  | 62.5               | 3.91 | 49.2 | 4.7  | 70.0 | 5.5        |      |      |     |      |      |      |      |      |       |     |
|           |                           |     |     |                       |      |      |      |      |       |            |      |     |      |                    |      |      |      |      |            | 9.0  | 2.1  | 5.0 | 45.4 | 35.6 | 3.42 | 57.5 | 13.3 | 102.8 | 5.5 |
|           |                           |     |     |                       |      |      |      |      |       |            |      |     |      |                    |      |      |      |      |            | 12.0 | 3.6  | 8.4 | 46.1 | 35.9 | 3.31 | 57.9 | 13.9 | 99.6  | 5.0 |
| 100       | 6.0                       | 1.0 | 2.3 | 41.3                  | 33.8 | 4.11 | 55.9 | 10.1 | 118.6 | 7.3        | 3.3  | 0.1 | 0.2  | 62.5               | 3.91 | 49.2 | 4.7  | 70.0 | 5.5        |      |      |     |      |      |      |      |      |       |     |
|           |                           |     |     |                       |      |      |      |      |       |            |      |     |      |                    |      |      |      |      |            | 9.0  | 2.1  | 4.8 | 42.9 | 34.5 | 3.81 | 56.5 | 11.3 | 112.5 | 6.7 |
|           |                           |     |     |                       |      |      |      |      |       |            |      |     |      |                    |      |      |      |      |            | 12.0 | 3.5  | 8.0 | 43.7 | 34.9 | 3.68 | 56.8 | 11.9 | 109.5 | 6.1 |
| 110       | 6.0                       | 1.0 | 2.3 | 38.7                  | 32.4 | 4.69 | 55.4 | 8.3  | 128.5 | 8.8        | 2.5  | 0.1 | 0.2  | 62.5               | 3.91 | 49.2 | 4.7  | 70.0 | 5.5        |      |      |     |      |      |      |      |      |       |     |
|           |                           |     |     |                       |      |      |      |      |       |            |      |     |      |                    |      |      |      |      |            | 9.0  | 2.0  | 4.5 | 40.3 | 33.3 | 4.31 | 55.7 | 9.4  | 122.4 | 8.1 |
|           |                           |     |     |                       |      |      |      |      |       |            |      |     |      |                    |      |      |      |      |            | 12.0 | 3.3  | 7.6 | 41.2 | 33.7 | 4.14 | 55.9 | 9.9  | 119.3 | 7.4 |
| 120       | 6.0                       | 1.0 | 2.3 | 36.1                  | 30.7 | 5.43 | 55.4 | 6.6  | 138.5 | 10.5       | 2.0  | 0.1 | 0.2  | 62.5               | 3.91 | 49.2 | 4.7  | 70.0 | 5.5        |      |      |     |      |      |      |      |      |       |     |
|           |                           |     |     |                       |      |      |      |      |       |            |      |     |      |                    |      |      |      |      |            | 9.0  | 1.9  | 4.3 | 37.7 | 31.8 | 4.95 | 55.3 | 7.6  | 132.3 | 9.7 |
|           |                           |     |     |                       |      |      |      |      |       |            |      |     |      |                    |      |      |      |      |            | 12.0 | 3.1  | 7.1 | 38.5 | 32.2 | 4.74 | 55.4 | 8.1  | 129.2 | 8.8 |

- Interpolation is permissible; extrapolation is not.
- All entering air conditions are 80°F (26.6°C) DB and 67°F (19.4°C) WB in cooling, and 70°F (21°C) DB in heating.
- AHRI/ISO certified conditions are 80.6°F (27°C) DB and 66.2°F (19°C) WB in cooling and 68°F (20°C) DB in heating.
- Table does not reflect fan or pump power corrections for AHRI/ISO conditions.
- All performance is based upon the lower voltage of dual voltage rated units.
- Performance stated is at the rated power supply; performance may vary as the power supply varies from the rated.
- Operation below 40°F (10.0°C) EWT is based upon 20% methanol antifreeze solution.
- Operation below 60°F (15.5°C) EWT requires optional insulated water/refrigerant circuit.
- See performance correction tables for operating conditions other than those listed above.
- See Performance Data Selection Notes for operation in the shaded areas.
- Regular Cooling operation with an EWT of less than 50°F (10.0°C) is not recommended unless variable water flow is available.
- Regular Heating operation with an EWT of more than 90°F (32°C) is not recommended unless variable water flow is available.
- For quiet operation and long term reliability, it is recommended that systems be designed to avoid continuous operation in the outlined areas.
- Performance capacities shown in thousands of Btuh
- Hot Water Generator Capacity is based on 90°F entering water and 0.5 GPM/Ton.

# Performance Data

## MZ\*060 EC Blower Motor (Full Load)

Models:  
MZ  
024-060

### 1900 CFM Rated Airflow

| EWT<br>°F | GPM                       | WPD |      | COOLING - EAT 80/67°F |      |      |      |      |       |            | GPM  | WPD  |      | HEATING - EAT 70°F |      |      |      |      |            |     |
|-----------|---------------------------|-----|------|-----------------------|------|------|------|------|-------|------------|------|------|------|--------------------|------|------|------|------|------------|-----|
|           |                           | PSI | FT   | TC                    | SC   | kW   | HR   | EER  | LWT   | HWG<br>Cap |      | PSI  | FT   | HC                 | kW   | HE   | COP  | LWT  | HWG<br>Cap |     |
| 20        | Operation Not Recommended |     |      |                       |      |      |      |      |       |            |      | 15.0 | 9.0  | 20.7               | 38.8 | 3.58 | 26.1 | 3.2  | 16.5       | 4.1 |
| 30        | 5.0                       | 0.7 | 1.6  | 65.3                  | 44.8 | 2.97 | 75.4 | 22.0 | 60.0  | 2.5        | 7.5  | 2.6  | 6.1  | 42.3               | 3.65 | 29.3 | 3.4  | 22.2 | 4.2        |     |
|           |                           |     |      |                       |      |      |      |      |       |            | 11.3 | 5.1  | 11.8 | 43.8               | 3.69 | 30.7 | 3.5  | 24.5 | 4.3        |     |
|           |                           |     |      |                       |      |      |      |      |       |            | 15.0 | 8.2  | 19.0 | 44.6               | 3.70 | 31.5 | 3.5  | 25.8 | 4.4        |     |
| 40        | 7.5                       | 2.3 | 5.3  | 64.3                  | 44.4 | 2.99 | 74.5 | 21.5 | 60.0  | 2.5        | 7.5  | 2.4  | 5.6  | 47.9               | 3.77 | 34.5 | 3.7  | 30.8 | 4.5        |     |
|           |                           |     |      |                       |      |      |      |      |       |            | 11.3 | 4.8  | 11.0 | 49.8               | 3.81 | 36.3 | 3.8  | 33.6 | 4.6        |     |
|           |                           |     |      |                       |      |      |      |      |       |            | 15.0 | 7.6  | 17.6 | 50.8               | 3.84 | 37.2 | 3.9  | 35.0 | 4.7        |     |
| 50        | 7.5                       | 2.3 | 5.2  | 63.6                  | 44.0 | 3.11 | 74.7 | 20.5 | 69.9  | 3.4        | 7.5  | 2.3  | 5.2  | 53.8               | 3.90 | 39.9 | 4.0  | 39.3 | 4.8        |     |
|           | 11.3                      | 4.4 | 10.3 | 64.2                  | 44.3 | 2.94 | 74.6 | 21.8 | 63.3  | 3.1        | 11.3 | 4.4  | 10.3 | 56.0               | 3.95 | 42.0 | 4.2  | 42.5 | 4.9        |     |
|           | 15.0                      | 7.2 | 16.5 | 64.3                  | 44.4 | 2.87 | 74.5 | 22.4 | 59.9  | 2.8        | 15.0 | 7.2  | 16.5 | 57.2               | 3.98 | 43.1 | 4.2  | 44.3 | 5.1        |     |
| 60        | 7.5                       | 2.1 | 4.9  | 62.3                  | 43.5 | 3.39 | 74.3 | 18.4 | 79.8  | 4.0        | 7.5  | 2.1  | 4.9  | 59.8               | 4.03 | 45.5 | 4.3  | 47.9 | 5.2        |     |
|           | 11.3                      | 4.2 | 9.7  | 63.3                  | 43.9 | 3.20 | 74.6 | 19.8 | 73.3  | 3.7        | 11.3 | 4.2  | 9.7  | 62.4               | 4.09 | 47.8 | 4.5  | 51.5 | 5.4        |     |
|           | 15.0                      | 6.8 | 15.7 | 63.6                  | 44.0 | 3.11 | 74.7 | 20.5 | 70.0  | 3.4        | 15.0 | 6.8  | 15.7 | 63.7               | 4.12 | 49.1 | 4.5  | 53.5 | 5.5        |     |
| 70        | 7.5                       | 2.0 | 4.7  | 60.3                  | 42.6 | 3.71 | 73.5 | 16.3 | 89.6  | 4.9        | 7.5  | 2.0  | 4.7  | 65.8               | 4.17 | 51.0 | 4.6  | 56.4 | 5.7        |     |
|           | 11.3                      | 4.0 | 9.2  | 61.7                  | 43.2 | 3.49 | 74.1 | 17.7 | 83.2  | 4.5        | 11.3 | 4.0  | 9.2  | 68.7               | 4.24 | 53.6 | 4.7  | 60.5 | 5.8        |     |
|           | 15.0                      | 6.5 | 15.0 | 62.3                  | 43.4 | 3.39 | 74.3 | 18.4 | 79.9  | 4.1        | 15.0 | 6.5  | 15.0 | 70.2               | 4.28 | 55.0 | 4.8  | 62.7 | 6.0        |     |
| 80        | 7.5                       | 2.0 | 4.5  | 57.8                  | 41.6 | 4.08 | 72.4 | 14.2 | 99.3  | 5.9        | 7.5  | 2.0  | 4.5  | 71.8               | 4.32 | 56.5 | 4.9  | 64.9 | 6.2        |     |
|           | 11.3                      | 3.8 | 8.8  | 59.5                  | 42.3 | 3.83 | 73.1 | 15.5 | 93.0  | 5.5        | 11.3 | 3.8  | 8.8  | 74.9               | 4.40 | 59.3 | 5.0  | 69.5 | 6.4        |     |
|           | 15.0                      | 6.3 | 14.5 | 60.3                  | 42.6 | 3.72 | 73.5 | 16.2 | 89.8  | 5.0        | 15.0 | 6.3  | 14.4 | 76.5               | 4.44 | 60.8 | 5.1  | 71.9 | 6.6        |     |
| 90        | 7.5                       | 1.9 | 4.3  | 55.0                  | 40.4 | 4.51 | 71.0 | 12.2 | 108.9 | 7.2        | 6.0  | 0.9  | 2.2  | 75.3               | 4.59 | 59.7 | 4.8  | 70.0 | 7.0        |     |
|           | 11.3                      | 3.7 | 8.5  | 56.9                  | 41.2 | 4.23 | 71.9 | 13.4 | 102.8 | 6.6        |      |      |      |                    |      |      |      |      |            |     |
|           | 15.0                      | 6.1 | 14.0 | 57.8                  | 41.6 | 4.10 | 72.3 | 14.1 | 99.6  | 6.0        |      |      |      |                    |      |      |      |      |            |     |
| 100       | 7.5                       | 1.8 | 4.2  | 51.8                  | 39.1 | 5.01 | 69.6 | 10.3 | 118.6 | 8.8        | 4.0  | 0.1  | 0.2  | 75.3               | 4.59 | 59.7 | 4.8  | 70.0 | 7.0        |     |
|           | 11.3                      | 3.6 | 8.2  | 53.8                  | 39.9 | 4.69 | 70.5 | 11.5 | 112.5 | 8.0        |      |      |      |                    |      |      |      |      |            |     |
|           | 15.0                      | 5.9 | 13.5 | 54.8                  | 40.3 | 4.54 | 71.0 | 12.1 | 109.5 | 7.3        |      |      |      |                    |      |      |      |      |            |     |
| 110       | 7.5                       | 1.7 | 4.0  | 48.4                  | 37.6 | 5.59 | 68.3 | 8.7  | 128.2 | 10.5       | 3.0  | 0.1  | 0.2  | 75.3               | 4.59 | 59.7 | 4.8  | 70.0 | 7.0        |     |
|           | 11.3                      | 3.4 | 7.9  | 50.5                  | 38.5 | 5.22 | 69.1 | 9.7  | 122.3 | 9.6        |      |      |      |                    |      |      |      |      |            |     |
|           | 15.0                      | 5.6 | 13.0 | 51.6                  | 39.0 | 5.05 | 69.5 | 10.2 | 119.3 | 8.8        |      |      |      |                    |      |      |      |      |            |     |
| 120       | 7.5                       | 1.6 | 3.8  | 44.9                  | 35.9 | 6.25 | 67.1 | 7.2  | 137.9 | 12.5       | 2.4  | 0.1  | 0.2  | 75.3               | 4.59 | 59.7 | 4.8  | 70.0 | 7.0        |     |
|           | 11.3                      | 3.3 | 7.5  | 47.0                  | 36.9 | 5.84 | 67.8 | 8.1  | 132.1 | 11.5       |      |      |      |                    |      |      |      |      |            |     |
|           | 15.0                      | 5.4 | 12.5 | 48.1                  | 37.4 | 5.64 | 68.2 | 8.5  | 129.1 | 10.4       |      |      |      |                    |      |      |      |      |            |     |

- Interpolation is permissible; extrapolation is not.
- All entering air conditions are 80°F (26.6°C) DB and 67°F (19.4°C) WB in cooling, and 70°F (21°C) DB in heating.
- AHRI/ISO certified conditions are 80.6°F (27°C) DB and 66.2°F (19°C) WB in cooling and 68°F (20°C) DB in heating.
- Table does not reflect fan or pump power corrections for AHRI/ISO conditions.
- All performance is based upon the lower voltage of dual voltage rated units.
- Performance stated is at the rated power supply; performance may vary as the power supply varies from the rated.
- Operation below 40°F (10.0°C) EWT is based upon 20% methanol antifreeze solution.
- Operation below 60°F (15.5°C) EWT requires optional insulated water/refrigerant circuit.
- See performance correction tables for operating conditions other than those listed above.
- See Performance Data Selection tables for operation in the shaded areas.
- Regular Cooling operation with an EWT of less than 50°F (10.0°C) is not recommended unless variable water flow is available.
- Regular Heating operation with an EWT of more than 90°F (32°C) is not recommended unless variable water flow is available.
- For quiet operation and long term reliability, it is recommended that systems be designed to avoid continuous operation in the outlined areas.
- Performance capacities shown in thousands of Btuh
- Hot Water Generator Capacity is based on 90°F entering water and 0.5 GPM/Ton.

Models:  
MZ  
024-060

# Full Load Performance: Correction Tables

## Cooling Correction

| Entering Air WB °F | Total Capacity | Sensible Cooling Capacity Multipliers - Entering DB °F |       |       |       |       |       | Power | Heat of Rejection |
|--------------------|----------------|--|-------|-------|-------|-------|-------|-------|-------------------|
|                    |                | 65   | 70    | 75    | 80    | 85    | 90    |       |                   |
| 50                 | 0.730          | 1.137  | *     | *     | *     | *     | *     | 0.944 | 0.786             |
| 55                 | 0.809          | 0.913  | 1.117 | *     | *     | *     | *     | 0.960 | 0.849             |
| 60                 | 0.889          | 0.689  | 0.894 | *     | *     | *     | *     | 0.977 | 0.912             |
| 65                 | 0.968          |  | 0.672 | 0.877 | 1.087 | 1.287 | *     | 0.993 | 0.975             |
| 67                 | 1.000          |  | 0.583 | 0.788 | 1.000 | 1.199 | 1.404 | 1.000 | 1.000             |
| 70                 | 1.048          |  |       | 0.655 | 0.869 | 1.067 | 1.272 | 1.010 | 1.038             |
| 75                 | 1.127          |  |       |       | 0.650 | 0.847 | 1.053 | 1.027 | 1.101             |

Notes:

- AHRI/ISO/ASHRAE 13256-1 uses entering air conditions of Cooling - 80.6°F (27°C) DB/ 66.2°F (19°C) WB, and Heating 68°F (20°C) DB/ 59°F (15°C) WB entering air temperature.
- Asterisks indicate that no correction factor is needed, Total Capacity equals Sensible capacity.
- Entering DB temperature range is based on operating limits, not on commissioning limits.
- Cooling and heating air corrections based on rated airflow.

## Entering Air Heating Correction

| Entering Air WB °F | Heating Capacity | Power | Heat of Rejection |
|--------------------|------------------|-------|-------------------|
| 50                 | 1.026            | 0.807 | 1.103             |
| 55                 | 1.019            | 0.855 | 1.077             |
| 60                 | 1.013            | 0.904 | 1.052             |
| 65                 | 1.006            | 0.952 | 1.026             |
| 70                 | 1.000            | 1.000 | 1.000             |
| 75                 | 0.994            | 1.048 | 0.974             |
| 80                 | 0.987            | 1.096 | 0.948             |

## Airflow Correction

| % of Rated | Heating          |       |                    | Cooling        |                   |       |       |                   |
|------------|------------------|-------|--------------------|----------------|-------------------|-------|-------|-------------------|
|            | Heating Capacity | Power | Heat of Extraction | Total Capacity | Sensible Capacity | S/T   | Power | Heat of Rejection |
| 80         | 0.963            | 1.008 | 0.965              | 0.975          | 0.913             | 0.936 | 0.937 | 0.974             |
| 85         | 0.972            | 1.006 | 0.974              | 0.981          | 0.935             | 0.952 | 0.952 | 0.980             |
| 90         | 0.981            | 1.004 | 0.983              | 0.988          | 0.956             | 0.968 | 0.968 | 0.987             |
| 95         | 0.991            | 1.002 | 0.991              | 0.994          | 0.978             | 0.984 | 0.984 | 0.993             |
| 100        | 1.000            | 1.000 | 1.000              | 1.000          | 1.000             | 1.000 | 1.000 | 1.000             |
| 105        | 1.009            | 0.998 | 1.009              | 1.006          | 1.022             | 1.015 | 1.016 | 1.007             |
| 110        | 1.019            | 0.996 | 1.017              | 1.012          | 1.044             | 1.031 | 1.032 | 1.013             |

## Preventative Maintenance

### WATER COIL MAINTENANCE (WATER LOOP APPLICATIONS)

Generally water coil maintenance is not needed for closed-loop systems. However, if the piping is known to have high dirt or debris content, it is best to establish a periodic maintenance schedule with the owner so the water coil is checked regularly. Dirty installations are typically the result of deterioration of iron or galvanized piping or components in the system. Open cooling towers requiring heavy chemical treatment and mineral buildup through water use can also contribute to higher maintenance. If periodic coil cleaning is needed, use standard coil cleaning procedures that are compatible with both the heat exchanger material and copper water lines. Generally, the more water flowing through the unit, the less chance for scaling. However, flow rates over 3 GPM per ton (3.9 l/m per kW) can produce water (or debris) velocities that can erode the heat exchanger wall and ultimately produce leaks.

### HOT WATER GENERATOR COILS

See water coil maintenance for ground water units. If the potable water is hard or not chemically softened, the high temperatures of the desuperheater tends to scale faster than the water coil and may need more frequent inspections. In areas with extremely hard water, a HWG is not recommended.

### FILTERS

Filters must be clean to obtain maximum performance. Filters should be inspected every month under normal operating conditions and be replaced when necessary. Never operate units without a filter.

### CONDENSATE DRAIN

In areas where airborne bacteria may produce a slimy substance in the drain pan, it may be necessary to treat the drain pan chemically with an algaecide approximately every three months to minimize the problem. The condensate pan may also need to be cleaned periodically to ensure indoor air quality. The condensate drain can pick up lint and dirt, especially with dirty filters. Inspect the drain twice a year to avoid the possibility of plugging and eventual overflow.

### COMPRESSOR

Conduct annual amperage checks to ensure that amp draw is no more than 10% greater than indicated on the serial dataplate.

### AIR COIL

The air coil must be cleaned to obtain maximum performance. Check once a year under normal operating conditions and, if dirty, brush or vacuum clean. Take care to avoid damaging the aluminum fins while cleaning.

#### CAUTION

Fin edges are sharp and may cause injury.

### CABINET

Do not allow water to stay in contact with the cabinet for long periods of time to prevent corrosion of the cabinet sheet metal. Generally, vertical cabinets are set up from the floor a few inches (7 - 8 cm) to prevent water from entering the cabinet. The cabinet can be cleaned using a mild detergent.

### REPAIRS TO SEALED COMPONENTS

Sealed electrical components shall be replaced.

# Troubleshooting

## GENERAL

If operational difficulties are encountered, perform the preliminary checks below before referring to the troubleshooting charts.

- Verify that the unit is receiving electrical supply power
- Ensure the fuses in the fused disconnect switches are intact

After completing the preliminary checks described above, inspect for other obvious problems such as leaking connections, broken or disconnected wires, etc. If everything appears to be in order, but the unit still fails to operate properly, refer to the **DXM2.6 Troubleshooting Flowchart** or the *Troubleshooting Table* section.

## DXM2.6

DXM2.6 troubleshooting in general is best summarized as verifying inputs and outputs. After verifying inputs and outputs, board operation is confirmed and the problem must be elsewhere. Below are some general guidelines for troubleshooting the DXM2.6.

## FIELD INPUTS

Conventional thermostat inputs are 24VAC from the thermostat and can be verified using a voltmeter between C and Y1, Y2, W, O, G. 24VAC will be present at the terminal (for example, between “Y1” and “C”) if the thermostat is sending an input to the DXM2.6.

Proper communications with a thermostat can be verified using the Fault LED on the DXM2.6. If the control is NOT in the Test mode and is NOT currently locked out or in a retry delay, the Fault LED on the DXM2.6 will flash very slowly (1 second on, 5 seconds off), if the DXM2.6 is properly communicating with the thermostat.

## SENSOR INPUTS

All sensor inputs are paired wires connecting each component to the board. You can check continuity on pressure switches at the board connector. Measure thermistor resistance with the connector removed so that only the impedance of the thermistor is measured.

## OUTPUTS

The compressor and reversing valve relays are 24VAC, and you can verify using a voltmeter. For units with EC blower motors, the DXM2.6 controls the motor using serial communications, and you should troubleshoot using the Wireless Service Tool. The alarm relay is either 24VAC as shipped or dry contacts for use with DDC controls by clipping the JW1 jumper. Electric heat outputs are 24VDC “ground sinking” and require a voltmeter set for DC to verify operation. The terminal marked “24VDC” is the 24VDC supply to the electric heat board; terminal “EH1” is stage 1 electric heat; terminal “EH2” is stage 2 electric heat. When electric heat is energized (thermostat is sending a “W” input to the DXM2.6), there is 24VDC between terminal “24VDC” and “EH1” (stage 1 electric heat) and/or “EH2” (stage 2 electric heat). A reading of 0VDC between “24VDC” and “EH1” or “EH2” indicates that the DXM2.6 is NOT sending an output signal to the electric heat board.

The compressor and reversing valve relays are 24VAC, and you can verify using a voltmeter. For units with EC blower motors, the DXM2.6 controls the motor using serial communications (PWM for 006-012), and you should troubleshoot using the Wireless Service Tool. The alarm relay is either 24VAC as shipped or dry contacts for use with DDC controls by clipping the JW1 jumper. Electric heat outputs are 24VDC “ground sinking” and require a voltmeter set for DC to verify operation. The terminal marked “24VDC” is the 24VDC supply to the electric heat board; terminal “EH1” is stage 1 electric heat; terminal “EH2” is stage 2 electric heat. When electric heat is energized (thermostat is sending a “W” input to the DXM2.6), there is 24VDC between terminal “24VDC” and “EH1” (stage 1 electric heat) and/or “EH2” (stage 2 electric heat). A reading of 0VDC between “24VDC” and “EH1” or “EH2” indicates that the DXM2.6 is NOT sending an output signal to the electric heat board.

# Troubleshooting

Models:  
MZ  
024-060

## TEST MODE

Enter Test mode for 20 minutes by pressing the Test button. The DXM2.6 automatically exits Test mode after 20 minutes.

### WARNING

HAZARDOUS VOLTAGE! DISCONNECT ALL ELECTRIC POWER INCLUDING REMOTE DISCONNECTS BEFORE SERVICING.

Failure to disconnect power before servicing can cause severe personal injury or death.

## ADVANCED DIAGNOSTICS

If the Wireless Service Tool (WST) is connected to the DXM2.6, additional diagnostic information and troubleshooting capabilities are available. You can verify the current status of all DXM2.6 inputs, including the current temperature readings of all temperature inputs. In the manual operating mode, you can control most DXM2.6 outputs for system troubleshooting. For more detailed information on the advanced diagnostics of the DXM2.6, see the DXM2.6 Application, Operation and Maintenance (AOM) manual (part #97B0142N01).

## DXM2.6 TROUBLESHOOTING FLOWCHART/ TROUBLESHOOTING TABLE

The DXM2.6 Functional Troubleshooting Flowchart is a quick overview of how to start diagnosing a suspected problem using the fault recognition features of the DXM2.6. The Troubleshooting table on the following page is a more comprehensive method for identifying a number of malfunctions that may occur and is not limited to just the DXM2.6. The table contains the following columns:

- The Fault column describes the symptoms.
- The heating (HT) and cooling (CL) columns identify in the mode in which the fault is likely to occur.
- The Possible Cause column identifies the most likely sources of the problem.
- The Solution column describes troubleshooting steps to correct the problem.

Models:  
MZ  
024-060

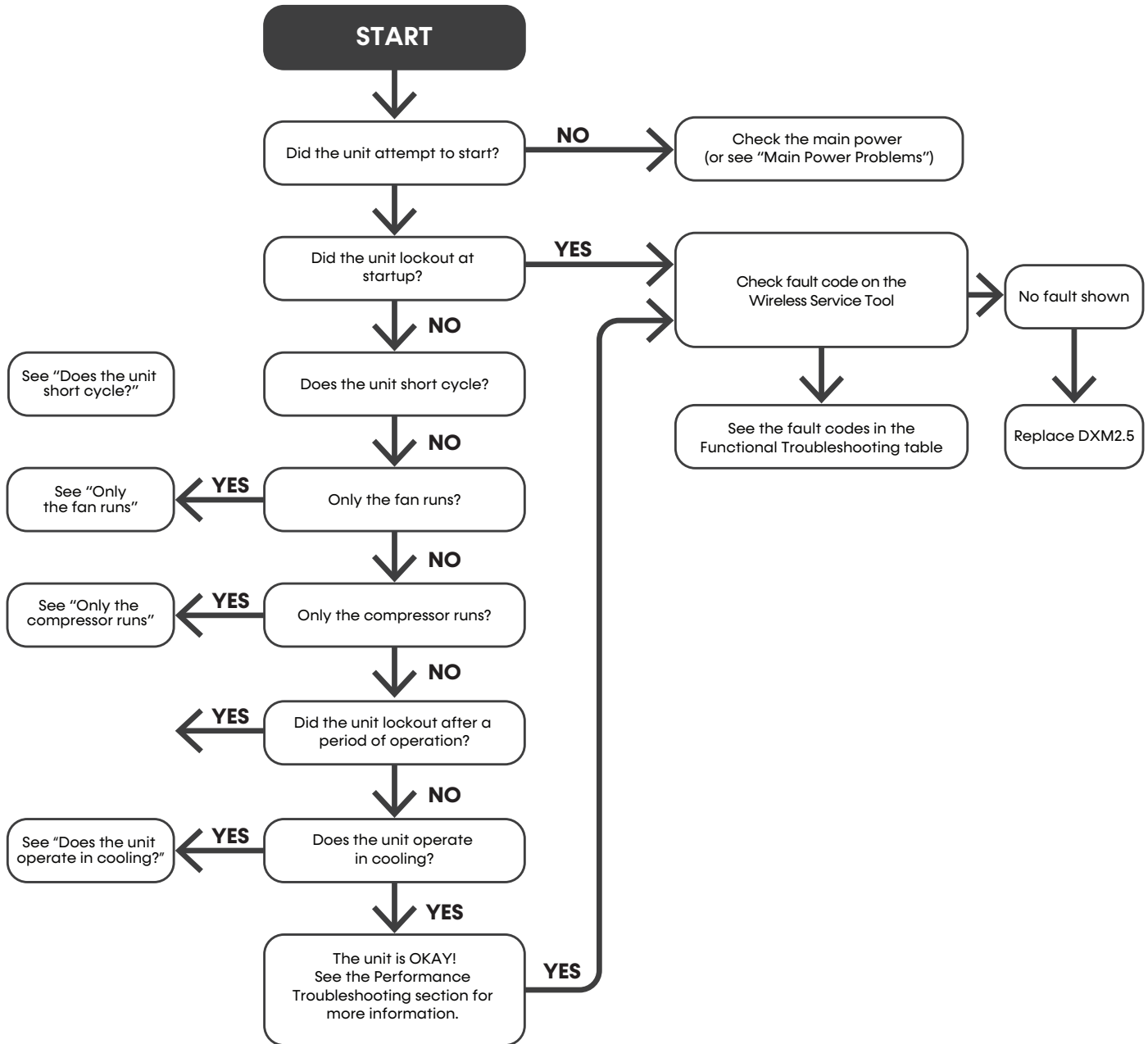
# Troubleshooting DXM2.6 Functional Flow Chart

**WARNING**

HAZARDOUS VOLTAGE! DISCONNECT ALL ELECTRIC POWER INCLUDING REMOTE DISCONNECTS BEFORE SERVICING.

Failure to disconnect power before servicing can cause severe personal injury or death.

## DXM2.5 Functional Troubleshooting Flow Chart



# Troubleshooting Functional Troubleshooting

Models:  
MZ  
024-060

| Fault LED/Fault/Symptom  | HT | CL | Possible Cause  | Solution  |
|--|----|----|---|---|
| <b>Main power problems</b>   | X  | X  | Green Status LED off  | <ul style="list-style-type: none"> <li>• Check the line voltage circuit breaker and disconnect.</li> <li>• Check for line voltage between L1 and L2 on the contactor.</li> <li>• Check for 24VAC between R and C on the unit control.</li> <li>• Check primary/secondary voltage on transformer.</li> </ul> |
| <b>Flash Code 2<br/>HP Fault<br/>High Pressure</b>                       |    | X  | Reduced or no water flow in cooling                               | <ul style="list-style-type: none"> <li>• Check pump operation or valve operation/setting.</li> <li>• Check water flow adjust to proper flow rate.</li> </ul>  |
|  |    | X  | Water temperature out of range in cooling                         | Bring water temp within design parameters.  |
|  | X  |    | Reduced or no airflow in heating                                  | <ul style="list-style-type: none"> <li>• Check for dirty air filter and clean or replace.</li> <li>• Check fan motor operation and airflow restrictions.</li> <li>• Dirty air coil. Clean out construction dust etc.</li> <li>• Too high of external static? Check static vs blower table.</li> </ul>       |
|  | X  |    | Air temperature out of range in heating                           | Bring return air temp within design parameters.   |
|  | X  | X  | Non-condensables in system  | Vacuum system and re-weigh in charge.   |
|  | X  | X  | Restricted metering device  | Check superheat and subcooling per chart. Replace.  |
|  | X  | X  | Unit overcharged  | Check superheat/subcooling vs typical operating condition table.  |
|  | X  | X  | Bad HP switch   | Check switch continuity and operation. Replace.   |
| <b>Flash Code 3<br/>LP/LOC Fault<br/>Low Pressure<br/>Loss of Charge</b> | X  | X  | Insufficient charge   | Check for refrigerant leaks.  |
|  | X  | X  | Bad LP switch   | Check switch continuity and operation. Replace  |
|  | X  |    | Reduced water flow in heating                                     | <ul style="list-style-type: none"> <li>• Check pump operation or water valve operation/setting.</li> <li>• Plugged strainer or filter? Clean or replace.</li> <li>• Check water flow. Adjust to proper flow rate.</li> </ul>  |
|  | X  |    | Water temperature out of range                                    | Bring water temperature within design parameters.   |
|  |    | X  | Reduced airflow in cooling  | <ul style="list-style-type: none"> <li>• Check for dirty air filter then clean or replace.</li> <li>• Check fan motor operation and airflow restrictions.</li> <li>• Is external static too high? Check static against blower table.</li> </ul>   |
|  |    | X  | Air temperature out of range                                      | Is there too much cold vent air? Bring air temperature within design parameters.  |
|  | X  |    | Compressor pump down at startup                                   | Check charge and startup water flow.  |
| <b>Flash Code 4<br/>LT1 Fault<br/>Water Coil Low Temperature Limit</b>   | X  |    | Reduced or no water flow in heating                               | <ul style="list-style-type: none"> <li>• Check pump operation or water valve operation/setting.</li> <li>• Plugged strainer or filter? Clean or replace.</li> <li>• Check water flow. Adjust to proper flow rate.</li> </ul>  |
|  | X  |    | Inadequate antifreeze level                                       | Check antifreeze density with hydrometer.   |
|  | X  |    | Improper temperature limit setting (30°F vs 10°F [-1°C vs -2°C])  | Clip JW3 jumper for antifreeze (10°F [-12°C]) use.  |
|  | X  |    | Water temperature out of range                                    | Bring water temp within design parameters.  |
|  | X  | X  | Bad thermistor  | Check temp and impedance correlation per chart.   |
| <b>Flash Code 5<br/>LT2 Fault<br/>Air Coil Low Temperature Limit</b>     |    | X  | Reduced or no airflow in cooling                                  | <ul style="list-style-type: none"> <li>• Check for dirty air filter and clean or replace.</li> <li>• Check fan motor operation and airflow restrictions.</li> <li>• Too high of external static? Check static against blower table.</li> </ul>  |
|  |    | X  | Air temperature out of range                                      | Too much cold vent air? Bring entering air temp within design parameters.   |
|  |    | X  | Improper temperature limit setting (30°F vs 10°F [-1°C vs -12°C]) | Normal air side applications require 30°F (-1°C) only.  |
|  | X  | X  | Bad thermistor  | Check temp and impedance correlation per chart.   |

Table continued on next page

Models:  
MZ  
024-060

# Troubleshooting

## Functional Troubleshooting

Table continued from previous page

| Fault LED/Fault/Symptom                             | HT | CL | Possible Cause   | Solution   |
|---|----|----|--|--|
| Flash Code 6<br>Condensate Fault                    | X  | X  | Blocked drain  | Check for blockage and clean drain.  |
|   | X  | X  | Improper trap  | Check trap dimensions and location ahead of vent.  |
|   |    | X  | Poor drainage  | <ul style="list-style-type: none"> <li>Check for piping slope away from unit.</li> <li>Check slope of unit toward outlet.</li> <li>Poor venting? Check vent location.</li> </ul>   |
|   |    | X  | Moisture on sensor   | Check for moisture shorting to air coil.   |
|   | X  | X  | Plugged air filter   | Replace air filter.  |
|   | X  | X  | Restricted return airflow  | Find and eliminate restriction. Increase return duct and/or grille size.   |
| Flash Code 7<br>Over/Under Voltage (Auto Resetting) | X  | X  | Under voltage  | <ul style="list-style-type: none"> <li>Check power supply and 24VAC voltage before and during operation.</li> <li>Check power supply wire size.</li> <li>Check compressor starting. Need hard start kit?</li> <li>Check 24VAC and unit transformer. Tap for correct power supply voltage.</li> </ul> |
|   | X  | X  | Over voltage   | <ul style="list-style-type: none"> <li>Check power supply voltage and 24VAC before and during operation.</li> <li>Check 24VAC and unit transformer. Tap for correct power supply voltage.</li> </ul>   |
| Flash Code 8<br>Unit Performance Sentinel           | X  |    | Heating mode<br>LT2>125°F (52°C)                                 | Check for poor airflow or overcharged unit.  |
|   |    | X  | Cooling Mode<br>LT1>125°F (52°C)<br>OR LT2< 40°F (4°C)           | Check for poor water flow or airflow.  |
| Flash Code 9<br>Swapped Thermistor                  | X  | X  | LT1 and LT2 swapped  | Reverse position of thermistors  |
| Flash Code 10<br>ECM Low RPM                        | X  | X  | Blower does not operate  | <ul style="list-style-type: none"> <li>Check blower line voltage</li> <li>Check blower low-voltage wiring</li> </ul>   |
|   | X  | X  | Blower operating with incorrect airflow                          | <ul style="list-style-type: none"> <li>Is the wrong unit size selected? Check unit configuration.</li> <li>Is the wrong unit family selected? Check unit configuration.</li> <li>The blower size is incorrect.</li> <li>The blower selection is incorrect.</li> </ul>                                |
| Flash Code 13<br>Low Water Flow                     | X  | X  | Reduced or no water flow   | <ul style="list-style-type: none"> <li>Check pump or valve operation setting.</li> <li>Check water flow and adjust to proper flow rate.</li> <li>Clogged Y strainer, replace mesh.</li> </ul>  |
|   | X  |    | Inadequate antifreeze level                                      | Check antifreeze density with hydrometer.  |
|   | X  | X  | Bad flow switch  | Confirm applied flow to looks vs minimum flow switch setpoint on label.  |
| Flash Code 14<br>Leaving Water Temperature Low      | X  |    | Reduced or no water flow in heating                              | <ul style="list-style-type: none"> <li>Check pump or valve operation setting.</li> <li>Check water flow and adjust to proper flow rate.</li> </ul>   |
|   | X  |    | Inadequate antifreeze level                                      | Check antifreeze density with hydrometer.  |
|   | X  |    | Improper temperature limit setting (30°F vs 15°F [-1°C vs -9°C]) | Clip JW3 jumper for antifreeze (15°F [-9°C]) use.  |
|   | X  |    | Water temperature out of range                                   | Bring water temperature within design parameters.  |
|   | X  | X  | Bad thermistor   | Check temperature impedance correlation per chart.   |

Table continued on next page

# Troubleshooting Functional Troubleshooting

Models:  
MZ  
024-060

| Fault LED/Fault/Symptom                                      | HT | CL                | Possible Cause  | Solution  |   |                 |  |
|--|----|-------------------|---|---|---|-----------------|--|
| <b>Flash Code 15</b><br><b>Refrigerant and RDS</b>           | X  | X                 | Refrigerant leak  | Check the refrigerant charge. If the charge is low, identify and repair the leak.   |   |                 |  |
|  |    |                   | Faulty RDS sensor   | Check the refrigerant charge. If the charge is not low, replace the RDS sensor.   |   |                 |  |
| <b>Flash Code 20</b><br><b>ECM Configuration Fault (any)</b> | X  | X                 | Incorrect unit configuration  | Check unit size.  |   |                 |  |
|  |    |                   | Incorrect motor size  | Check motor size.   |   |                 |  |
| <b>No Fault Code Shown</b>                                   | X  | X                 | No compressor operation   | See the <i>Only Fan Runs</i> symptom.   |   |                 |  |
|  |    |                   | Compressor overload   | Check and replace, if necessary.  |   |                 |  |
|  |    |                   | Control board   | Reset power and check operation.  |   |                 |  |
| <b>Unit Short Cycles</b>                                     | X  | X                 | Dirty air filter  | Check and clean air filter.   |   |                 |  |
|  |    |                   | Unit in Test mode   | Reset power or wait 30 minutes for auto exit.   |   |                 |  |
|  |    |                   | Unit selection  | Unit may be oversized for space. Check sizing for actual load of space.   |   |                 |  |
|  |    |                   | Compressor overload   | Check and replace, if necessary.  |   |                 |  |
| <b>Only Fan Runs</b>   | X  | X                 | Thermostat position   | Ensure thermostat set for heating or cooling operation.   |   |                 |  |
|  |    |                   | Unit locked out   | Check for lockout codes. Reset power.   |   |                 |  |
|  |    |                   | Compressor overload   | Check compressor overload. Replace if necessary.  |   |                 |  |
|  |    |                   | Thermostat wiring   | Check thermostat wiring at heat pump. Jumper Y and R for compressor operation in test mode.   |   |                 |  |
| <b>Only Compressor Runs</b>                                  | X  | X                 | Thermostat wiring   | <ul style="list-style-type: none"> <li>• Check G wiring at heat pump. Jumper G and R for fan operation.</li> <li>• Check thermostat wiring at heat pump. Jumper Y and R for compressor operation in test mode.</li> </ul> |   |                 |  |
|  |    |                   |   | X   | X | Fan motor relay | <ul style="list-style-type: none"> <li>• Jumper G and R for fan operation. Check for line voltage across BR contacts.</li> <li>• Check fan power enable relay operation (if present).</li> </ul> |
|  | X  | X                 | Fan motor   |   |   |                 | Check for line voltage at motor. Check capacitor.  |
|  |    |                   |   |   |   |                 |  |
|  |    | X                 | Thermostat setup  | Check for 'O' RV setup not 'B'.   |   |                 |  |
|  | X  | Thermostat wiring | Check O wiring at heat pump. Jumper O and R for RV coil 'click'.  |   |   |                 |  |
|  | X  |                   | Put thermostat in cooling mode. Check 24VAC on O (check between C and O); check for 24VAC on W (check between W and C). There should be voltage on O, but not on W. If voltage is present on W, the thermostat may be bad or wired incorrectly. |   |   |                 |  |

Models:  
MZ  
024-060

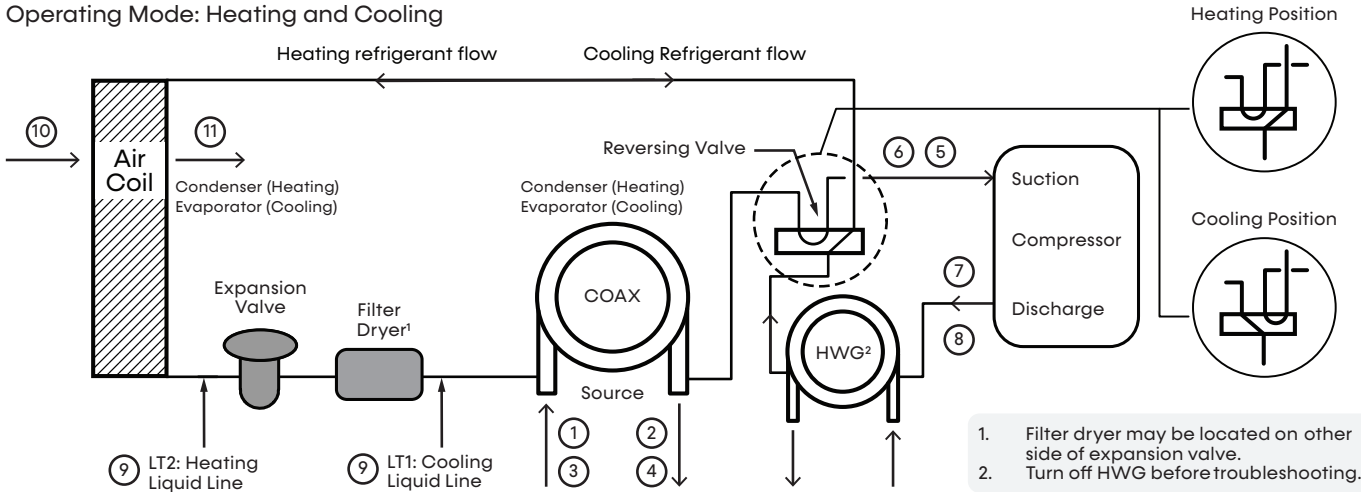
# Troubleshooting Functional Troubleshooting Form

**Customer:** \_\_\_\_\_ **Loop Type:** \_\_\_\_\_ **Startup Date:** \_\_\_\_\_

**Model #:** \_\_\_\_\_ **Serial #:** \_\_\_\_\_ **Antifreeze Type:** \_\_\_\_\_ %

**Complaint:** \_\_\_\_\_

Refrigerant: R-454B  
Operating Mode: Heating and Cooling



| Description                | Heating            | Cooling | Notes |
|----------------------------|--------------------|---------|-------|
| <b>Water Side Analysis</b> |                    |         |       |
| 1                          | Water In Temp.     |         |       |
| 2                          | Water Out Temp.    |         | ΔT =  |
| 3                          | Water In Pressure  |         |       |
| 4                          | Water Out Pressure |         |       |
| 4a                         | Pressure Drop      |         |       |
| 4b                         | GPM                |         |       |

Heat of Extraction (Absorption) or Heat of Rejection:  
HE (Btuh) = \_\_\_\_\_ or HR (Btuh) = \_\_\_\_\_  
\_\_\_\_\_ Flow Rate (GPM) x \_\_\_\_\_ ΔT (°F) x \_\_\_\_\_ Fluid Factor

**Fluid Factor:**  
**500 (Water) 485 (Antifreeze)**

| <b>Refrigerant Analysis</b> |                    |  |      |
|-----------------------------|--------------------|--|------|
| 5                           | Suction Temp.      |  |      |
| 6                           | Suction Pressure   |  |      |
| 6a                          | Saturation Temp.   |  |      |
| 6b                          | Superheat          |  |      |
| 7                           | Discharge Temp.    |  |      |
| 8                           | Discharge Pressure |  |      |
| 8a                          | Saturation Temp.   |  |      |
| 8b                          | Subcooling         |  |      |
| 9                           | Liquid Line Temp   |  |      |
| 10                          | Return Air Temp.   |  |      |
| 11                          | Supply Air Temp.   |  | ΔT = |
|                             | Voltage            |  |      |
|                             | Compress Amps      |  |      |

# Startup Log Sheet

**Installer:** Complete *Unit and System Checkout* and follow *Unit Startup Procedures* in the IOM. Use this form to record unit information, temperatures, and pressures during startup. Keep this form for reference.

**Job Name:** \_\_\_\_\_

**Street Address:** \_\_\_\_\_

**Model Number:** \_\_\_\_\_

**Serial Number:** \_\_\_\_\_

**Unit Location in Building:** \_\_\_\_\_

**Date:** \_\_\_\_\_

**Sales Order Number:** \_\_\_\_\_

In order to minimize troubleshooting and costly system failures, complete the following checks and data entries before the system is put into full operation.

| Fan Motor | Description | Value |
|-----------|-------------|-------|
| CV EC     | CFM Setting |       |

Temperatures (check one):  °F  °C Antifreeze: \_\_\_\_\_ %

Pressures (check one):  PSIG  kPa Type: \_\_\_\_\_

|  | Cooling Mode |    | Heating Mode |    |
|--|--------------|----|--------------|----|
| Entering Fluid Temperature                     |              |    |              |    |
| Leaving Fluid Temperature                      |              |    |              |    |
| <b>Fluid Temperature Differential</b>          |              |    |              |    |
| Return-Air Temperature                         | DB           | WB | DB           | DB |
| Supply-Air Temperature                         | DB           | WB | DB           | DB |
| <b>Air Temperature Differential</b>            |              |    |              |    |
| Water Coil Heat Exchanger (Water Pressure IN)  |              |    |              |    |
| Water Coil Heat Exchanger (Water Pressure OUT) |              |    |              |    |
| Pressure Differential                          |              |    |              |    |
| Flow Rate GPM (l/s)                            |              |    |              |    |
| <b>Compressor</b>                              |              |    |              |    |
| Amps   |              |    |              |    |
| Volts  |              |    |              |    |
| Discharge Line Temperature                     |              |    |              |    |
| <b>Motor</b>                                   |              |    |              |    |
| Amps   |              |    |              |    |
| Volts  |              |    |              |    |

**NOTES:**

1. Allow unit to run 15 minutes in each mode before taking data.
2. Never connect refrigerant gauges during startup procedures.
3. Conduct water-side analysis using P/T ports to determine water flow and temperature difference.
4. If water-side analysis shows poor performance, refrigerant troubleshooting may be required.
5. Connect refrigerant gauges as a last resort.

Models:  
MZ  
024-060

# Warranty



## LIMITED EXPRESS WARRANTY

**Congratulations on purchasing your new HVAC equipment. It's been designed for long life and reliable service, and is backed by one of the strongest warranties in the industry. Your unit automatically qualifies for the warranty coverage listed below, providing you keep your proof of purchase (receipt) for the equipment and meet the warranty conditions.**

### LIMITED TEN (10) YEAR EXPRESS WARRANTY

Heat Controller warrants all parts of the MZ Series residential geothermal heat pump including the compressor to be free from defects in workmanship and materials for normal use and maintenance for ten (10) years from the date of purchase by the original consumer for the original installation. This Express Limited Warranty applies only when the geothermal heat pump is installed as a complete matched system, and only when the system is installed per Heat Controller installation instructions and in accordance with all local, state and national codes for normal use. Thermostats, auxiliary electric heaters, and geothermal pump flow centers purchased through Heat Controller and installed with an MZ geothermal heat pump will be covered by the same ten (10) year express warranty. All other accessories will have one (1) year.

### LIMITED FIVE (5) YEAR LABOR ALLOWANCE

Labor is allowed for warranty service for a period of five (5) years from the date of purchase when the unit is properly registered and commissioned according to the start-up procedure specified in the Installation/Operation Manual, and when the Geothermal Start-Up Certification Form is completed and submitted to Heat Controller.

### EXCEPTIONS

The Limited Express Warranty does not cover normal maintenance—Heat Controller recommends that regular inspection/maintenance be performed at least once a season and proof of maintenance be kept. Additionally, labor charges, transportation charges for replacement parts, replacement of refrigerant or filters, any other service calls/repairs are not covered by this Limited Warranty. It also does not cover any portion or component of the system that is not supplied by Heat Controller, regardless of the cause of failure of such portion or component.

### CONDITIONS FOR WARRANTY COVERAGE

- Unit must be operated according to Heat Controller operating instructions included with the unit and cannot have been subjected to accident, alteration, improper repair, neglect or misuse, or an act of God (such as a flood)
- Installation was done by a trained, licensed or otherwise qualified HVAC dealer/contractor
- Performance cannot be impaired by use of any product not authorized by Heat Controller, or by any adjustments or adaptations to components
- Serial numbers and/or rating plate have not been altered or removed
- Damage has not been a result of inadequate wiring or voltage conditions, use during brown-out conditions, or circuit interruptions
- Air flow around any section of the unit has not been restricted
- Unit remains in the original installation
- Unit was not purchased over the internet

Please visit [www.heatcontroller.com](http://www.heatcontroller.com) to register your new product



### DURATION OF WARRANTY & REGISTRATION

The warranty begins on the date of purchase by the original consumer. The consumer must retain a receipted bill of sale as proof of warranty period. Without this proof, the express warranty begins on the date of shipment from the factory.

### REMEDY PROVIDED BY THE LIMITED EXPRESS WARRANTY

The sole remedy under the Limited Warranty is replacement of the defective part. If replacement parts are required within the period of this warranty, Heat Controller replacement parts shall be used; any warranty on the replacement part(s) shall not affect the applicable original unit warranty. Ready access to the unit for service is the owner's responsibility. Labor to diagnose and replace the defective part is not covered by this Limited Express Warranty. If for any reason the replacement part/product is no longer available during the warranty period, Heat Controller shall have the right to allow a credit in the amount of the current suggested retail price of the part/product instead of providing repair or replacement.

### LIMITATION OF LIABILITY

1. There are no other express or implied warranties. Heat Controller makes no warranty of merchantability. We do not warrant that the unit is suitable for any particular purpose or can be used in buildings or rooms of any particular size or condition except as specifically provided in this document. There are no other warranties, express or implied, which extend beyond the description in this document.
2. All warranties implied by law are limited in duration to the seven-year term of the parts warranty. Your exclusive remedy is limited to the replacement of defective parts. **We will not be liable for any consequential or incidental damages caused by any defect in this unit.**
3. This warranty gives you specific legal rights and you may also have other rights which vary from state to state. Some states do not allow limitation on how long an implied warranty lasts or do not allow the exclusion or limitation of incidental or consequential damages, so the above limitations or exclusions may not apply to you.
4. No warranties are made for units sold outside the continental United States and Canada. Your distributor or final seller may provide a warranty on units sold outside these areas.
5. Heat Controller will not be liable for damages if our performance regarding warranty resolution is delayed by events beyond our control including accident, alteration, abuse, war, government restrictions, strikes, fire, flood, or other acts of God.

### HOW TO OBTAIN WARRANTY SERVICE OR PARTS

If you have a warranty claim, notify your installer promptly. If the installer does not remedy your claim, write to Heat Controller, 1900 Wellworth Ave., Jackson MI 49203. Enclose a report of inspection by your installer or service person. Include model number, serial number, and date of purchase.

**Owner responsibilities are set forth in the instruction manual—read it carefully.**

| KEEP THIS INFORMATION AS A RECORD OF YOUR PURCHASE                |   |
|---|---|
| GEOTHERMAL HEAT PUMP  | INSTALLATION  |
| Model Number _____  | Installer Name _____                                |
| Serial Number _____   | Phone Number/Contact Information _____              |
| Date of Purchase _____  | Date Installation Completed _____                   |
| <input type="checkbox"/> Component of new HVAC system             | <input type="checkbox"/> Replacement heat pump only |
| Remember to retain your bill of sale as proof of warranty period. |   |

**Notes**

Models:  
MZ  
024-060

---

Models:  
MZ  
024-060

## Revision History

| Date     | Section                                  | Description  |
|----------|--|--|
| NEXT     | All                                      | Updated DXM2.5 to DXM2.6 throughout                                      |
| 12/22/25 | All                                      | Updated organization   |
|          |  | Updated instructions and added data to support the Wireless Service Tool |
|          | Hot Water Generator                      | Updated  |
|          | Refrigerant Detection System             | Updated  |
|          | Thermostat Wiring                        | Updated figures  |
|          | Blower Performance Data                  | Updated  |
| 10/13/25 | Operating and Commissioning Limits       | Updated Unit Maximum Water Working Pressure table                        |
|          | All                                      | Updated organization, figure references, and table references            |
|          | Unit Startup Procedures                  | Updated Procedures   |
| 05/16/25 | Troubleshooting                          | Updated Functional Troubleshooting Table                                 |
|          | Move RDS Sensors After Field Conversion  | Added new section  |
| 05/02/25 | Model Nomenclature                       | Updated Notes  |
|          | Electrical Data                          | Updated LRA for size 042   |
|          |  | Updated Total unit FLA and Minimum Circuit Amp for all sizes             |
| 02/26/25 | Unit Operating Conditions                | Updated data for size 036  |
|          | Unit Operating Conditions                | Corrected headers  |
| 02/21/25 | Warranty                                 | Added section  |
|          | Electrical Data: CV EC Blower Motor      | Updated Voltage Code for size 060  |
|          | Performance Data                         | Added a note concerning Hot Water Generator Capacity calculation         |
|          | Full Load Performance: Correction Tables | Updated correction data for Cooling, Entering Air Heating, and Airflow   |
|          | Unit Operating Conditions                | Updated data for size 048  |
|          | All                                      | Added the Wireless Service Tool  |



1900 Wellworth Ave. | Jackson, MI 49203  
Phone: 517-787-2100  
[www.heatcontroller.com](http://www.heatcontroller.com)

Due to ongoing product improvements, specifications and dimensions are subject to change and correction without notice or incurring obligations. Determining the application and suitability for use of any product is the responsibility of the installer. Additionally, the installer is responsible for verifying dimensional data on the actual product prior to beginning any installation preparations.

Incentive and rebate programs have precise requirements as to product performance and certification. All products meet applicable regulations in effect on date of manufacture; however, certifications are not necessarily granted for the life of a product. Therefore, it is the responsibility of the applicant to determine whether a specific model qualifies for these incentive/rebate programs.

Engineered and assembled in the USA.

© Heat Controller, Inc. All Rights Reserved 2024