
Comfort-Care®

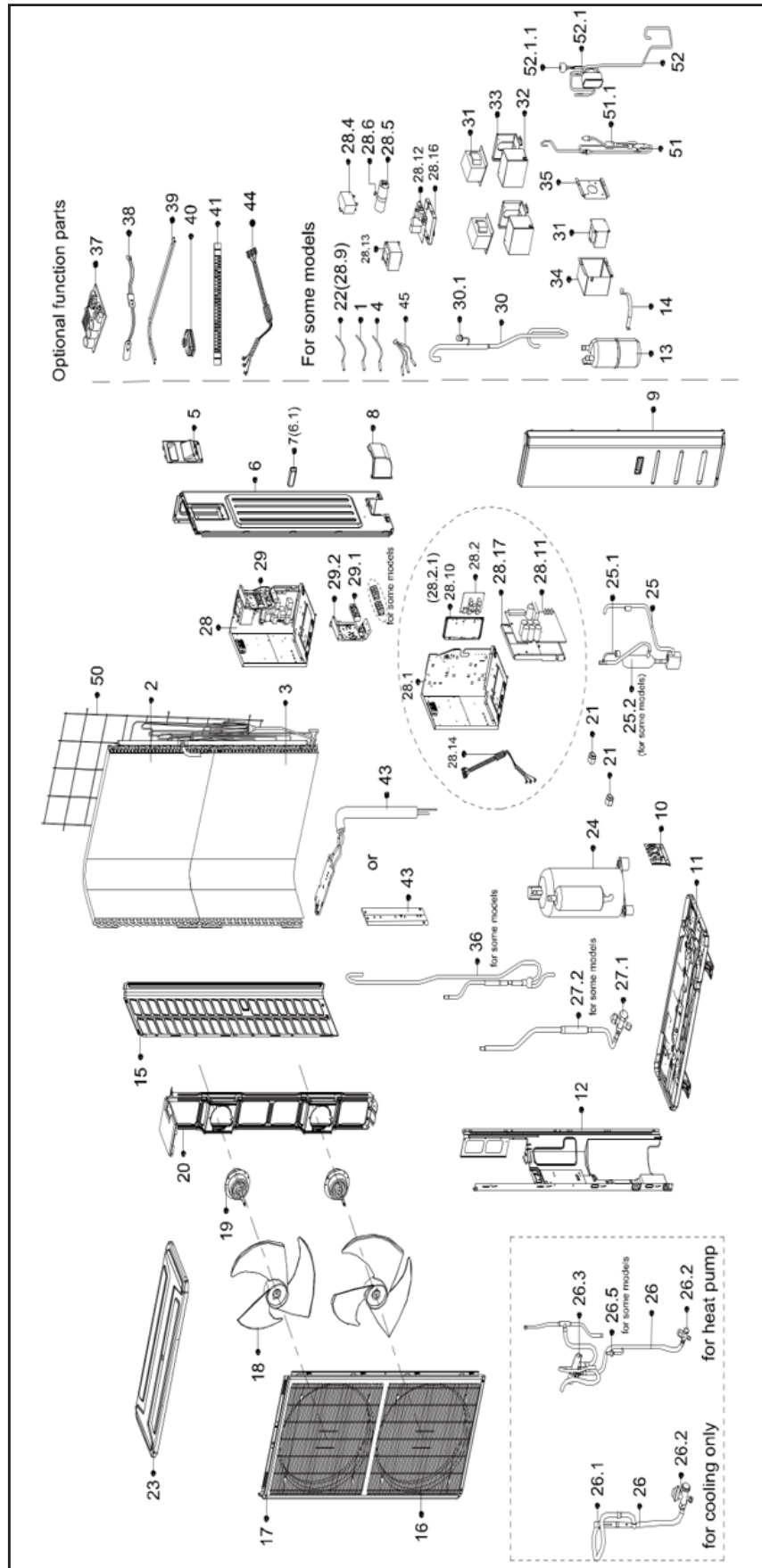
Century®

PARTS LIST

**Hyper Heat Single Zone Air
Handler & Condenser**

A-VCD36SA-1

EXPLODED VIEW



REPLACEMENT PARTS

Location	Part Name	Quantity	Part No.
1	Room Temperature Sensor	1	11201007003425
2	Condenser assembly	1	15822500000359
3	Condenser assembly	1	15822500000361
4	Pipe Temperature Sensor	1	11201007003441
5	Big handle assembly	1	12222000013365
6	Rear right clapboard assembly	1	12222000012373
6.1	handle	1	12100702000038
8	Water collector	1	12122000014023
9	Front right clapboard assembly	1	12222000006287
10	Valve plate	1	12222200002361
11	Chassis assembly	1	12222000006290
12	Partition Board Assembly	1	12222000005733
13	Liquid-Storage Tank	1	15500508000009
15	Left side plate assembly of cabinet	1	12222200002363
16	Air outlet grille	2	12222000014845
17	Front panel	1	12222000007564
18	Axial Flow Fan	2	12100105000022
19	Brushless DC Motor	2	11002015009825
20	Supporter subassembly of fan motor	1	12222000006288
21	Copper nut	1	15500406000008
21	Copper nut	1	15500406000010
22	Discharge Temperature Sensor	1	11201007003124
23	Top cover assembly	1	12222200002359
24	DC Inverter Rotary Compressor	1	11103020006279
25	Discharge pipe assembly	1	15122000026158
25.1	Pressure switch	1	17400516000851
26	4-way valve assembly	1	15422000022539
26.2	Gas valve	1	15500204000482
26.3	4-way valve	1	15500216000681
26.5	Pressure sensor	1	11201008000773
27	Liquid valve assembly	1	15422000021392
27.1	Gas valve	1	15500204000021
28	Electronic control box subassembly	1	17222000037996
28.1	Installation Plate of Electric Parts Subassembly	1	12222000012372
28.2	Inverter module subassembly	1	17122000055266
28.10	Electronic installing box	1	12122000014342
28.11	Outdoor main control board subassembly	1	17122000056147
28.14	Compressor wire subassembly	1	17401203017294
28.17	Electronic installing box	1	12122000020943
29	Terminal board subassembly	1	17222000037997
29.1	Wire joint	1	17400401003456
29.2	Terminal instalation subassembly	1	12222000015266
29.3	Inverter module subassembly	1	17122000056145
30	Suction pipe assembly	1	15122000028742
30.1	Pressure switch	1	17400516000850
36	Liquid valve assembly	1	15422000021392
38	Crankcase electric heating strip	1	17402001000602
39	Electric heating tube	1	17402002000466
41	Drain pipe	1	12100509000059
43	Radiator subassembly	1	15122000026162
46	Pipe Temperature Sensor	1	11201007000136
47	Pipe Temperature Sensor	1	11201007003445
50	Rear net	1	12222000007944
51	Electronic expansion valve subassembly	1	15422000017595
51.1	Electronic expansion valve body	1	15500213000265
52	Plate heat exchanger subassembly	1	15700101000876
52.1	Electronic expansion valve subassembly	1	15422000017593
52.1.1	Electric expansive valve	1	15500213000865
53	Evaporator connecting pipe subassembly	1	15123000012887
53	Evaporator connecting pipe subassembly	1	15123000012948

Due to ongoing product improvements, specifications and dimensions are subject to change and correction without notice or incurring obligations. Determining the application and suitability for use of any product is the responsibility of the installer. Additionally, the installer is responsible for verifying dimensional data on the actual product prior to beginning any installation preparations.

Incentive and rebate programs have precise requirements as to product performance and certification. All products meet applicable regulations in effect on date of manufacture; however, certifications are not necessarily granted for the life of a product. Therefore, it is the responsibility of the applicant to determine whether a specific model qualifies for these incentive/rebate programs.

Comfort-Cire®  **Century**®

1900 Wellworth Avenue • Jackson, MI 49203 • 517-787-2100