

---

*Comfort-Care*®

**Century**®

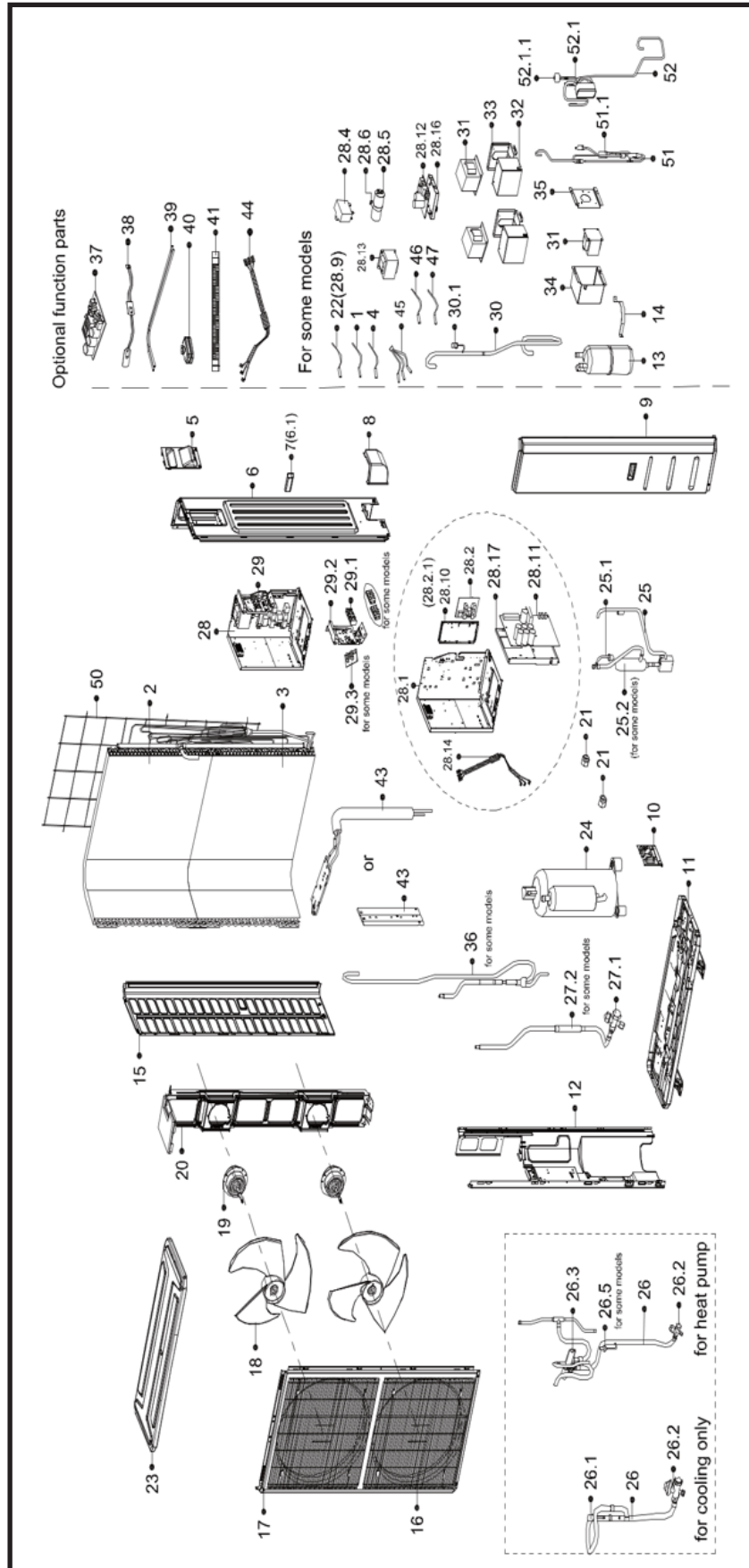
---

PARTS LIST

**Hyper Heat Single Zone Air  
Handler & Condenser**

A-VCD60SA-1

# EXPLODED VIEW



# REPLACEMENT PARTS

Location	Part Name	Quantity	Part No.
1	Room Temperature Sensor	1	11201007003425
2	Condenser assembly	1	15822000013007
3	Condenser assembly	1	15822000013486
4	Pipe Temperature Sensor	1	11201007003441
5	Big handle assembly	1	12222000013365
6	Rear right clapboard assembly	1	12222000012373
6.1	handle	1	12100702000038
8	Water collector	1	12122000014023
9	Front right clapboard assembly	1	12222000006287
10	Valve plate	1	1222200002361
11	Chassis assembly	1	12222000013910
12	Partition board assembly	1	12222000017025
13	Liquid-storage tank	1	15500508001475
15	Left side plate assembly of cabinet	1	1222200002363
16	Air outlet grille	2	12222000014845
17	Front panel	1	12222000007564
18	Axial Flow Fan	2	12100105000022
19	Brushless DC Motor	2	11002015009825
20	Supporter subassembly of fan motor	1	12222000016092
21	Copper nut	1	15500406000010
22	Discharge Temperature Sensor	1	11201007003124
23	Top cover assembly	1	1222200002359
24	DC Inverter Rotary Compressor	1	11103020006399
25	Discharge pipe assembly	1	15122000031463
25.1	Pressure switch	1	17400516000851
26	4-way valve assembly	1	15422000022895
26.2	Gas valve	1	15500204000027
26.3	4-way valve	1	15500216000681
26.5	Pressure sensor	1	11201008000773
27	Liquid valve assembly	1	15422000022896
27.1	Gas valve	1	15500204000021
28	Electronic control box subassembly	1	17222000040226
28.1	Installation Plate of Electric Parts Subassembly	1	12222000012372
28.2	Inverter module subassembly	1	17122000055266
28.10	Electronic installing box	1	12122000014342
28.11	Outdoor main control board subassembly	1	17122000058490
28.14	Compressor wire subassembly	1	17401203022090
28.17	Electronic installing box	1	12122000020943
29	Terminal board subassembly	1	17222000040206
29.1	Wire joint	1	17400401003456
29.2	Terminal instalation subassembly	1	12222000015266
29.3	Inverter module subassembly	1	17122000058473
30	Suction pipe assembly	1	15122000031459
30.1	Pressure switch	1	17400516000009
38	Crankcase electric heating strip	1	17402001000602
39	Electric heating tube	1	17402002000466
41	Drain pipe	1	12100509000059
43	Radiator subassembly	1	15122000031462
46	Pipe Temperature Sensor	1	11201007000136
47	Pipe Temperature Sensor	1	11201007003445
50	Rear net	1	12222000007944
51	Electronic expansion valve subassembly	1	15422000022897
51.1	Electronic expansion valve	1	15500213000245
52	Plate heat exchanger subassembly	1	15700101001416
52.1	Electronic expansion valve subassembly	1	15422000022915
52.1.1	Electric expansive valve	1	15500213000865
53	Evaporator connecting pipe subassembly	1	15123000012948
53	Evaporator connecting pipe subassembly	1	15123100000608

---

Due to ongoing product improvements, specifications and dimensions are subject to change and correction without notice or incurring obligations. Determining the application and suitability for use of any product is the responsibility of the installer. Additionally, the installer is responsible for verifying dimensional data on the actual product prior to beginning any installation preparations.

Incentive and rebate programs have precise requirements as to product performance and certification. All products meet applicable regulations in effect on date of manufacture; however, certifications are not necessarily granted for the life of a product. Therefore, it is the responsibility of the applicant to determine whether a specific model qualifies for these incentive/rebate programs.

*Comfort-Cire*®  **Century**®

1900 Wellworth Avenue • Jackson, MI 49203 • 517-787-2100