

# Submittal Data

## A-VFH30QB-1

Project Name:	
Location:	
Engineer:	
Submitted to:	
Submitted by:	
Reference:	

Approval:	
Date:	
Construction:	
Unit #:	
Drawing #:	

Power supply 208-230V~60Hz , 1Ph

### Cooling

Capacity Btu/h 28500  
 Capacity kW 8.35  
 Rated current A 16.859  
 EER Btu/w 12.50  
 SEER Btu/w 21.00

### Heating

Capacity Btu/h 30000  
 Input kW 2.35  
 Rated current A 16.859  
 COP W/W 3.721  
 HSPF4 10.50  
 heating at 47°F Btu/h 32000  
 heating at 17°F Btu/h 22500

### Outdoor fan motor

Model LW92K-ZL  
 Output W 90  
 Speed RPM 800

### Air flow & Noise level

Outdoor air flow CFM 2354  
 Outdoor noise level dB(A) 59

### Physical Data

Dimensions (W\*D\*H) inch 38.58x16.81x31.1  
 Packing (W\*D\*H) inch 42.6 X 19.2 X 33.7  
 Net/Gross weight lbs. 145.5/154.3

### Ambient temperature

Outdoor(cooling/heating) Deg. F 0°-75°/-4°-75°F

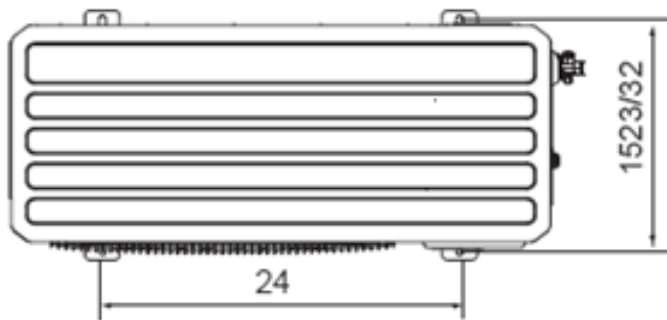
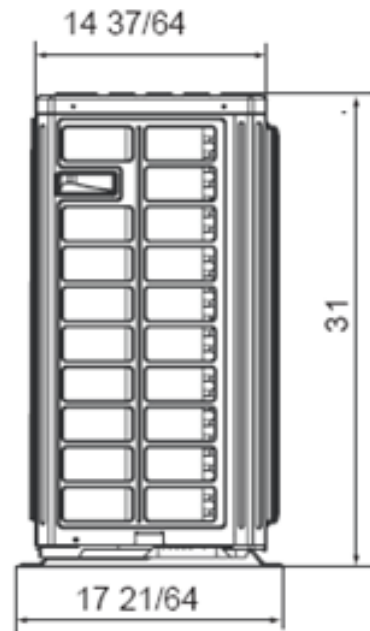
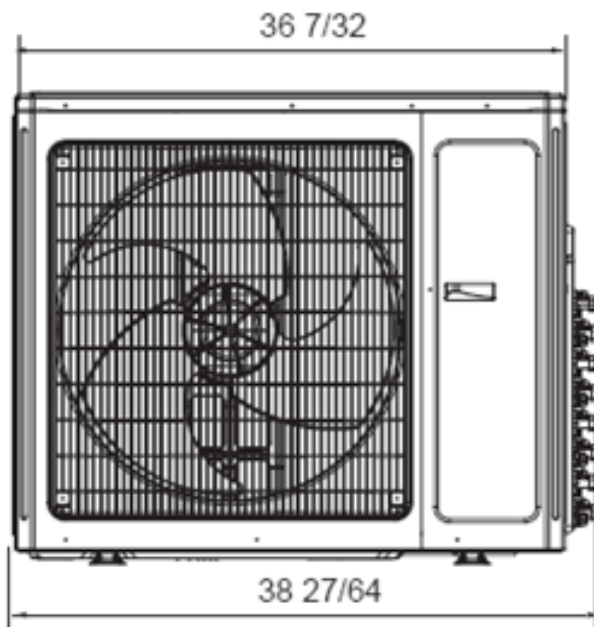
### SYSTEM DATA

MAX.FUSE A 30  
**Compressor Electrical**  
 Model QXAS-D32zX090A  
 Type Inverter Rotary  
 Brand ///  
 Capacity W 12300  
 Input W 4150  
 Rated current(RLA) A 13.9  
 Thermal protector 1NT11L-6233  
 Connection wiring 14/4 STRANDED  
**Thermostat type** Remote control

# of Zones 4  
 Design pressure psi 620  
 Refrigerant type R-410  
 Refrigerant precharge oz 98.77  
 Additional charge per ft. oz Subject to indoor line size  
 Liquid side Multiple: Adapters provided. See IOM  
 Gas side  
 Max. length for all rooms ft 229  
 Max. height difference between indoor and outdoor ft. 49  
 Max. height difference between indoor units ft. 49

# Submittal Data

A-VFH30QB-1



Unit:inch

## Accessories

- 93640 Mini-Split Bracket 260lb. Limit
- 93641 Mini-Split Bracket 330lb. Limit
- 93642 Mini-Split Bracket 400lb. Limit
- 93540 Mini-Split Pad 18" x 38" x 3"