
Comfort-Cire®

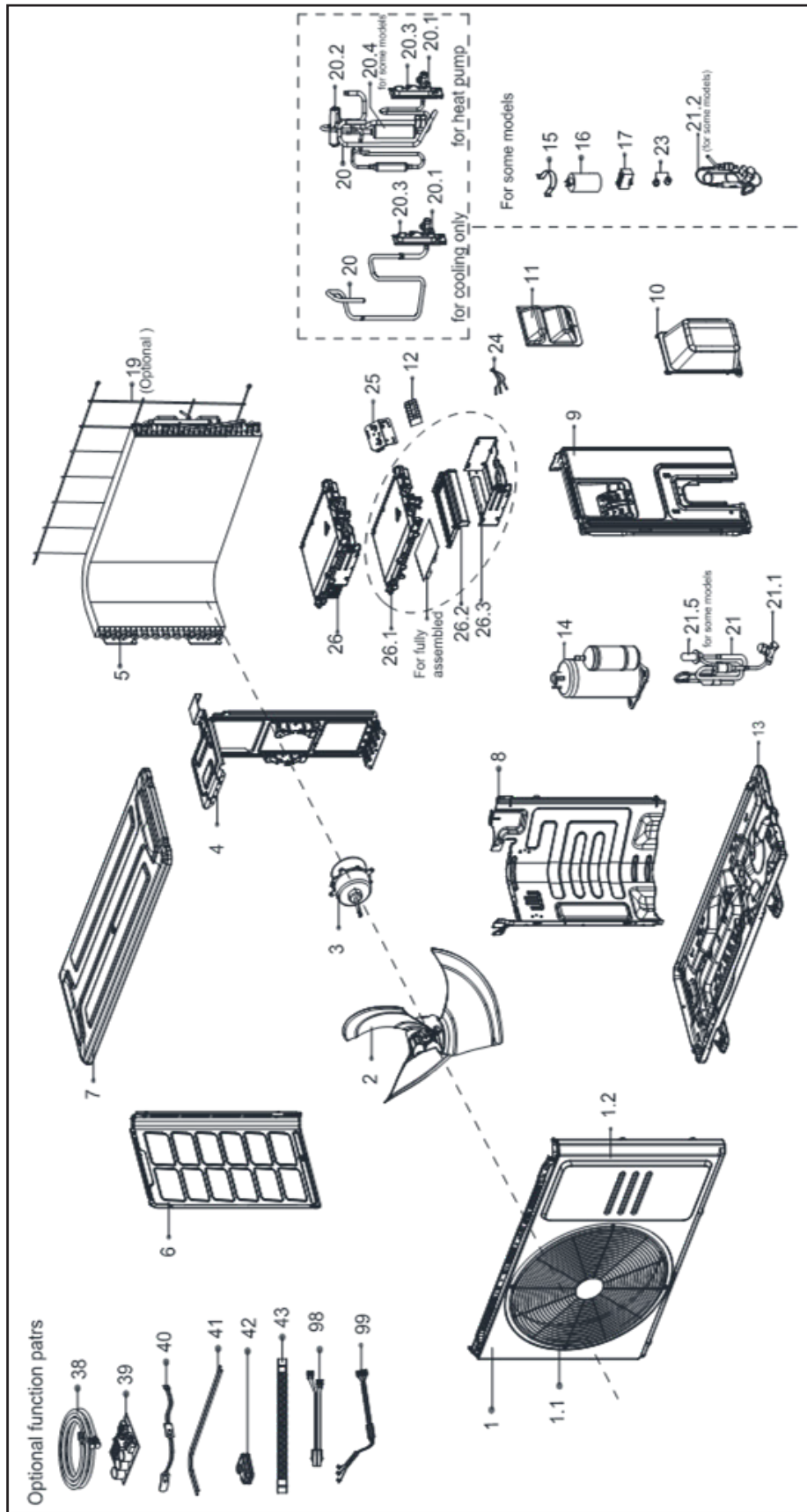
Century®

PARTS LIST

**Inverter Single Zone
Outdoor Ductless Mini-Split**

A-VMH12SV-1

EXPLODED VIEW



REPLACEMENT PARTS

Location	Part Name	Quantity	Part No.
1	Front panel assembly	1	12222000A06298
1.1	Air outlet grille	1	12222000A06091
1.2	Front panel	1	12222000A06299
2	Axial flow fan	1	12100105000881
3	Brushless DC Motor	1	11002015012128
4	Supporter of fan motor	1	12222000013200
5	Condenser assembly	1	15822000010396
6	Left supporter	1	12222000013197
7	Top cover assembly	1	12222000013193
8	Partition board assembly	1	12222000014125
9	Right clapboard assembly	1	12222000013190
10	Water collector	1	12122000007150
11	Big handle assembly	1	12222000010966
12	Terminal	1	17400401000068
13	Chassis assembly	1	12222000014127
14	DC Inverter Rotary Compressor	1	11103020003399
19	Rear net	1	12222000013667
20	4-way valve assembly	1	15422000018753
20.1	Gas valve	1	15500204000058
20.2	4-way valve	1	15500216000028
20.3	Valve plate	1	12222000002571
20.4	Muffler subassembly	1	15122000027316
21	Liquid valve assembly	1	15422000004932
21.1	Liquid valve	1	15500208000028
21.5	Electronic expansion valve subassembly	1	15500213000047
23	Copper nut	1	15500406000016
23	Copper nut	1	15500406000012
24	Combination sensor	1	11201011000067
25	Terminal board	1	12222000002259
26	Electronic control box subassembly	1	17222000037697
26.1	Support of electronic control box	1	12122000024223
26.2	Fixing board	1	12122000024222
26.3	Electronic installing box subassembly	1	12222000012106
40	Crankcase electric heater	1	174020010000603
41	Electric heating tube	1	174020020000464
43	Drain pipe	1	12100509000059
99	Compressor wire subassembly	1	17401203012697

Due to ongoing product improvements, specifications and dimensions are subject to change and correction without notice or incurring obligations. Determining the application and suitability for use of any product is the responsibility of the installer. Additionally, the installer is responsible for verifying dimensional data on the actual product prior to beginning any installation preparations.

Incentive and rebate programs have precise requirements as to product performance and certification. All products meet applicable regulations in effect on date of manufacture; however, certifications are not necessarily granted for the life of a product. Therefore, it is the responsibility of the applicant to determine whether a specific model qualifies for these incentive/rebate programs.



1900 Wellworth Ave., Jackson, MI 49203 • Ph. 517-787-2100 • www.heatcontroller.com