
Comfort-Cire®

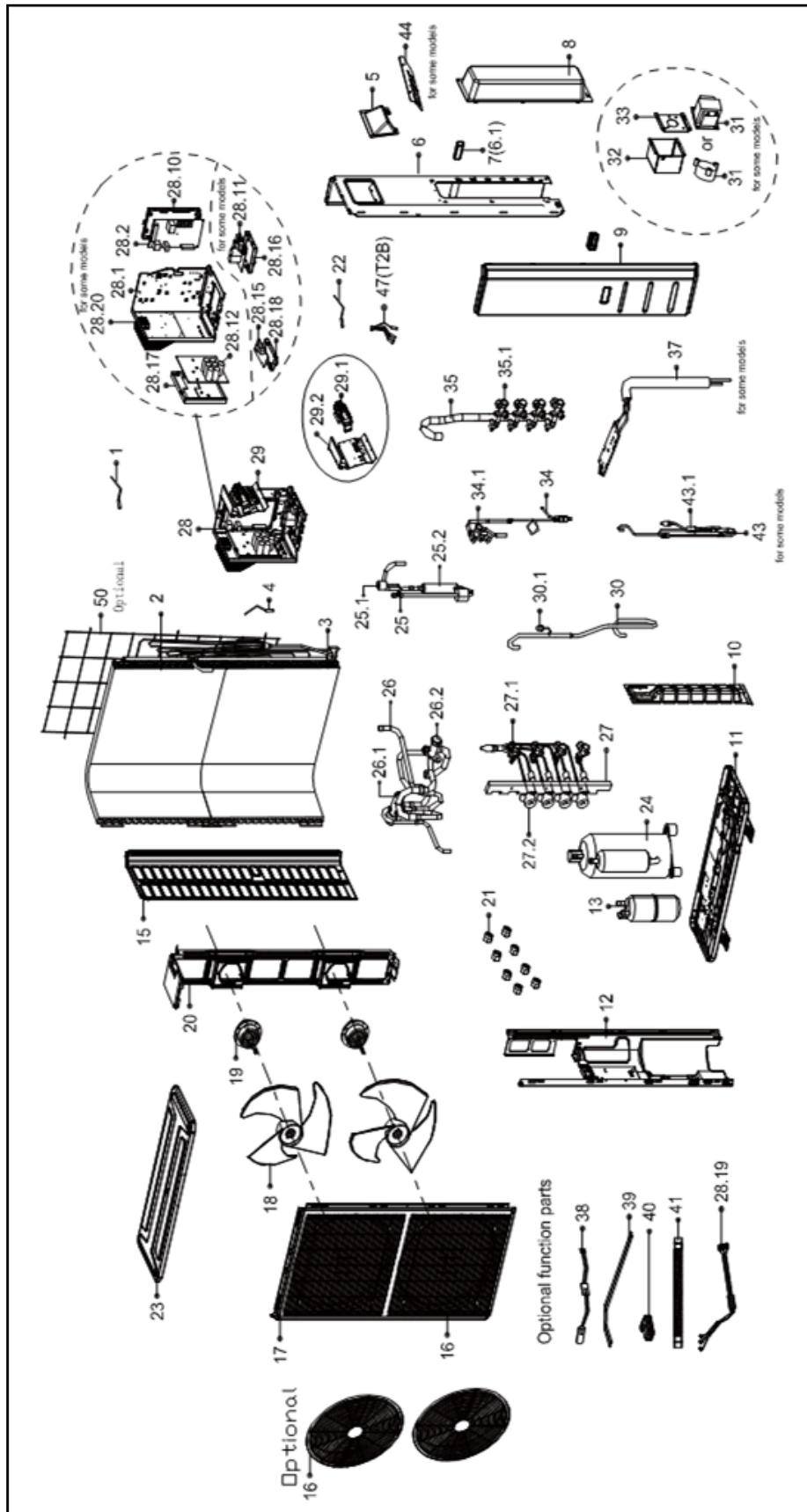
Century®

PARTS LIST

**Inverter Multi Zone
Outdoor Ductless Mini-Split**

A-VMH36QV-1

EXPLODED VIEW



REPLACEMENT PARTS

Location	Part Name	Quantity	Part No.
1	Room Temperature Sensor	1	11201007003448
2	Condenser assembly	1	15822000008539
3	Condenser assembly	1	15822000008537
4	Pipe Temperature Sensor	1	11201007003441
5	Big Handle Assembly	1	12222300000039
6	Rear right clapboard assembly	1	12222000012227
6.1	handle	1	12100702000038
8	Water collector	1	12122000014341
9	Front right clapboard assembly	1	12222000006287
10	Valve plate	1	12222000006744
11	Chassis assembly	1	12222000006290
12	Partition board assembly	1	12222000005733
13	Liquid-storage tank	1	15500508000009
15	Left side plate assembly of cabinet	1	12222200002363
16	Air outlet grille	2	12222000014845
17	Front panel	1	12222000007564
18	Axial flow fan	2	12100105000022
19	Brushless DC Motor	2	11002015009825
20	Supporter subassembly of fan motor	1	12222000006288
21	Copper nut	4	15500406000016
21	Copper nut	2	15500406000010
21	Copper nut	2	15500406000012
22	Discharge Temperature Sensor	1	11201007003124
23	Top cover assembly	1	12222200002359
24	DC Inverter Rotary Compressor	1	11103020000619
25	Discharge pipe assembly	1	15122000026303
25.1	Pressure switch	1	17400516000851
25.2	Muffler	1	15500506000002
26	4-way valve assembly	1	15422000017697
26.1	4-way valve	1	15500216000681
26.2	Gas valve	1	15500204000049
27	Liquid valve Assembly	1	15422000021259
27.1	Liquid valve	4	15500208000028
27.2	Electronic expansion valve body	4	15500213000265
28	Electronic control box subassembly	1	17222000037759
28.1	Installation plate of electric parts subassembly	1	12222000012372
28.2	Outdoor main control board subassembly	1	17122000055773
28.10	Electronic installing box	1	12122000014342
28.12	Inverter module subassembly	1	17122000055772
28.17	Electronic installing box	1	12122000020943
28.19	Compressor wire subassembly	1	174012030000936
29	Terminal board subassembly	1	17222000037760
29.1	Wire joint	1	17400401003456
29.1	Terminal	2	17400401000135
29.2	Terminal instalation subassembly	1	122223000000729
30	Suction pipe assembly	1	15122000013597
30.1	Pressure switch	1	17400516000848
34	Liquid valve assembly	1	15422000017696
34.1	Liquid valve	1	15500208000047
35	Gas valve assembly	1	15422000A01489
35.1	Gas valve	2	15500204000021
35.1	Gas valve	2	15500204000058
37	Radiator subassembly	1	15122000029642
38	Crankcase electric heating strip	1	17402001000602
39	Electric heating tube	1	174020020000466
41	Drain pipe	1	121005090000059
43	Electronic expansion valve subassembly	1	15422000021258
43.1	Electronic expansion valve body	1	15500213001405
44	Waterproof Board	1	12222000013398
47	Pipe Temperature Sensor	1	112010070000007
50	Rear net	1	12222000007944

Due to ongoing product improvements, specifications and dimensions are subject to change and correction without notice or incurring obligations. Determining the application and suitability for use of any product is the responsibility of the installer. Additionally, the installer is responsible for verifying dimensional data on the actual product prior to beginning any installation preparations.

Incentive and rebate programs have precise requirements as to product performance and certification. All products meet applicable regulations in effect on date of manufacture; however, certifications are not necessarily granted for the life of a product. Therefore, it is the responsibility of the applicant to determine whether a specific model qualifies for these incentive/rebate programs.

Comfort-Aire®  **Century**®