
Comfort-Cire®

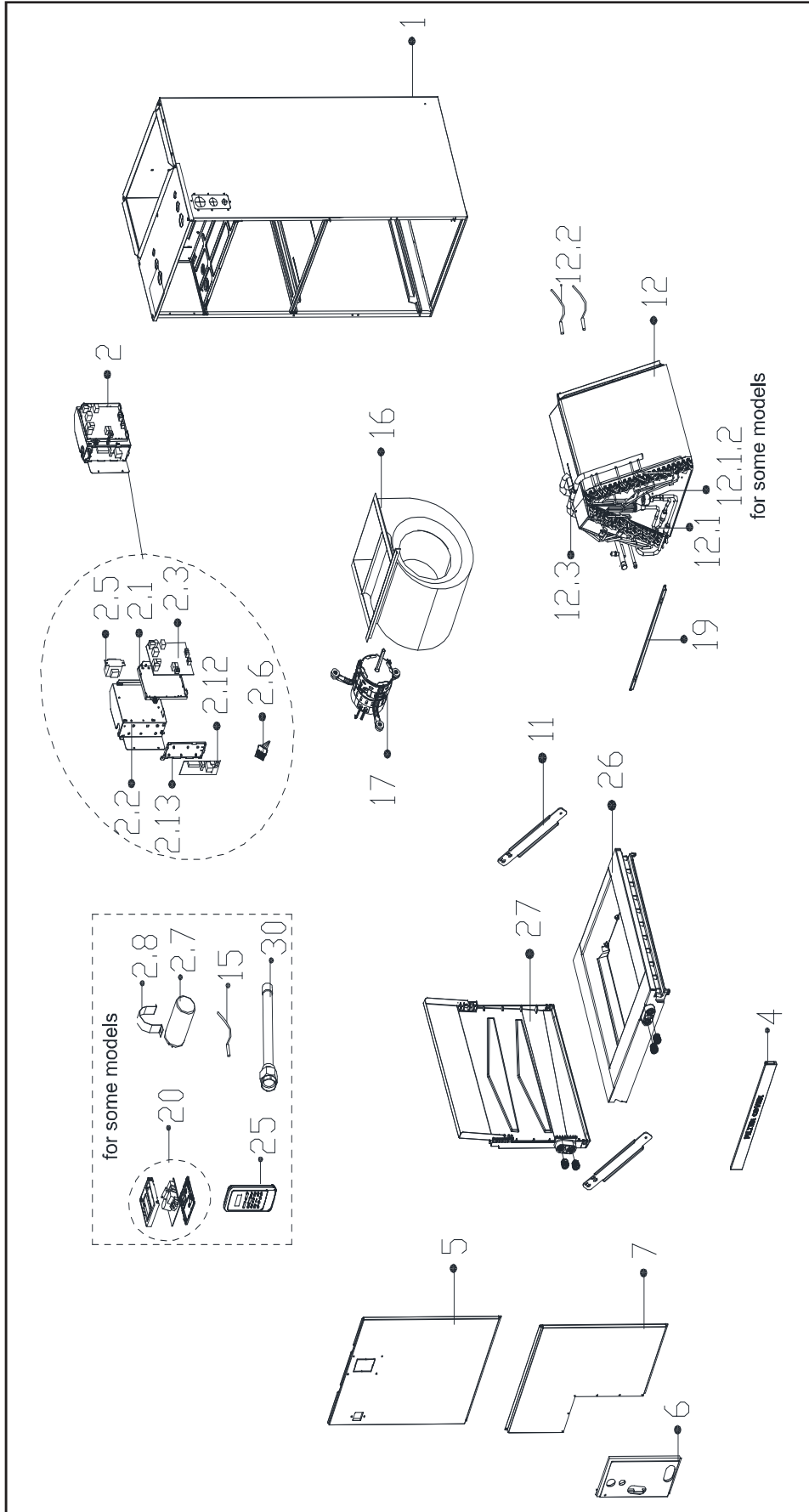
Century®

PARTS LIST

**Hyper Heat Single Zone
Air Handler & Condenser**

B-VCD18SA-1

EXPLODED VIEW



REPLACEMENT PARTS

Location	Part Name	Quantity	Part No.
1	Chassis assembly	1.0	12223100000893
2	Structural components of indoor electric control box	1.0	17223000009525
2.1	Electrical installation plate	1.0	12123000000920
2.2	Electric control board mounting panel Subassembly	1.0	12223100000876
2.3	main control board assembly	1.0	17123000010365
2.5	Transformer	1.0	11203103002659
2.6	Terminal block	1.0	17400401000085
2.12	Data transfer model control assembly	1.0	17122000059682
2.13	Electronic installing box	1.0	12120300000522
3	Air filter	1.0	12223000014170
4	Air filter shutter	1.0	12223100000654
5	Upside board subassembly	1.0	12223100000892
6	Cover board assembly	1.0	12223100000711
7	Underside board assembly	1.0	12223100000894
11	Fixing board of water collector	2.0	12223100000663
12	evaporator assembly	1.0	15823100000624
12.1	evaporator inlet pipe subassembly	1.0	15123000013127
12.1.2	Electronic expansion valve	1.0	15500213000176
12.2	Pipe temperature sensor subassembly	1.0	11201007004863
12.2	Pipe temperature sensor subassembly	1.0	11201007003441
12.3	evaporator outlet pipe subassembly	1.0	15123000012867
15	Pipe temperature sensor subassembly	1.0	11201007004864
16	Fan assembly	1.0	12200101000018
17	Asynchronous motor	1.0	11002015013969
19	supporter bar	1.0	12223100000665
20	Wired controller	1.0	17317100008515
25	remote controller	1.0	17317000A60047
26	main water collector assembly	1.0	12123100000025
27	Water collector subassembly	1.0	12123100000026
30	3/8 evaporator connecting pipe subassembly	1.0	15123000012948
30	3/4 evaporator connecting pipe subassembly	1.0	15123000012887

Due to ongoing product improvements, specifications and dimensions are subject to change and correction without notice or incurring obligations. Determining the application and suitability for use of any product is the responsibility of the installer. Additionally, the installer is responsible for verifying dimensional data on the actual product prior to beginning any installation preparations.

Incentive and rebate programs have precise requirements as to product performance and certification. All products meet applicable regulations in effect on date of manufacture; however, certifications are not necessarily granted for the life of a product. Therefore, it is the responsibility of the applicant to determine whether a specific model qualifies for these incentive/rebate programs.

Comfort-Cire®  **Century**®

1900 Wellworth Avenue • Jackson, MI 49203 • 517-787-2100