
Comfort-Care®

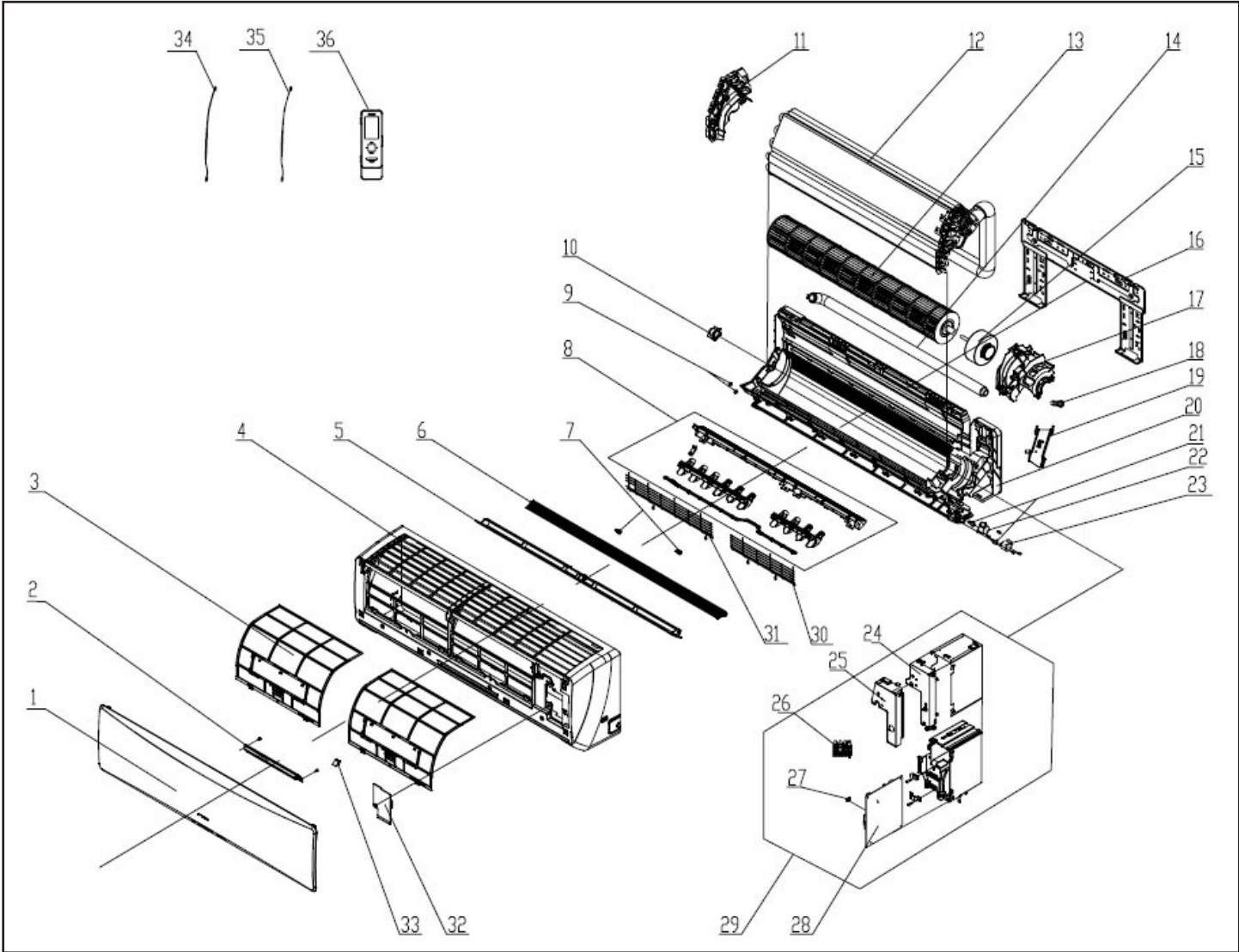
Century®

REPLACEMENT PARTS LIST

InverterFlex Series®
Indoor High Wall Mini-Split

B-VFH09MB-1
B-VFH09MB-1A

EXPLODED VIEW



REPLACEMENT PARTS

| Location | Part Name | Quantity | Part No. |
|-----------|------------------------------|----------|-----------------|
| 1 | Front Panel | 1 | 27230007938 |
| 2 | Display Board | 1 | 30565140 |
| 3 | Filter Sub-Assembly | 2 | 1112211602 |
| 4 | Front Case Sub-Assembly | 1 | 2001288902 |
| 5 | Guide Louver | 1 | 10512267 |
| 6 | Guide Louver (small) | 1 | 10512127 |
| 7 | Crank | 2 | 10582070 |
| 8 | Helicoid Tongue Sub-Assembly | 1 | 2611224404 |
| 9 | Left Axle Bushing | 2 | 10512037 |
| 10 | Propeller Axle Bushing | 1 | 1054202101 |
| 11 | Evaporator Support | 1 | 24212114 |
| 12 | Evaporator Assembly | 1 | 01002641_L61437 |
| 13 | Cross Flow Fan | 1 | 10352033 |
| 14 | Drainage Hose | 1 | 05230014 |
| 15 | Fan Motor | 1 | 15012510 |
| 16 | Wall Mounting Frame | 1 | 01252484 |
| 17 | Motor Press Plate | 1 | 26112209 |
| 18 | Rubber Plug (Water Tray) | 1 | 76712012 |
| 19 | Connecting Pipe Clamp | 1 | 2611216402 |
| 20 | Rear Case Assembly | 1 | 2220216103 |
| 21 | Axle Bushing | 3 | 10542036 |
| 22 | Stepping Motor | 1 | 15212126 |
| 23 | Stepping Motor | 1 | 15212125 |
| 24 | Shield Cover of Electric Box | 1 | 01592084 |
| 25 | Electric Box Cover | 1 | 2012240903 |
| 26 | Terminal Board | 1 | 42011233 |
| 27 | Jumper | 1 | 4202300107 |
| 28 | Main Board | 1 | 30138000315 |
| 29 | Electric Box Assembly | 1 | 10000200568 |
| 30 | Rear Grill | 1 | 01472030 |
| 31 | Rear Grill | 1 | 01472029 |
| 32 | Electric Box Cover 2 | 1 | 2012207504 |
| 33 | Screw Cover | 1 | 24252016 |
| 34 | Temperature Sensor | 1 | 390000451 |
| 35 | Temperature Sensor | 1 | 390000598 |
| 36 | Remote Controller | 1 | 30510138_L61437 |
| Not Shown | Holder for Remote Controller | 1 | 26150008 |
| Not Shown | Carton | 1 | 51029966121 |

Due to ongoing product improvements, specifications and dimensions are subject to change and correction without notice or incurring obligations. Determining the application and suitability for use of any product is the responsibility of the installer. Additionally, the installer is responsible for verifying dimensional data on the actual product prior to beginning any installation preparations.

Incentive and rebate programs have precise requirements as to product performance and certification. All products meet applicable regulations in effect on date of manufacture; however, certifications are not necessarily granted for the life of a product.

Therefore, it is the responsibility of the applicant to determine whether a specific model qualifies for these incentive/rebate programs.

Comfort-Aire®  **Century**®