

---

*Comfort-Cire*®

**Century**®

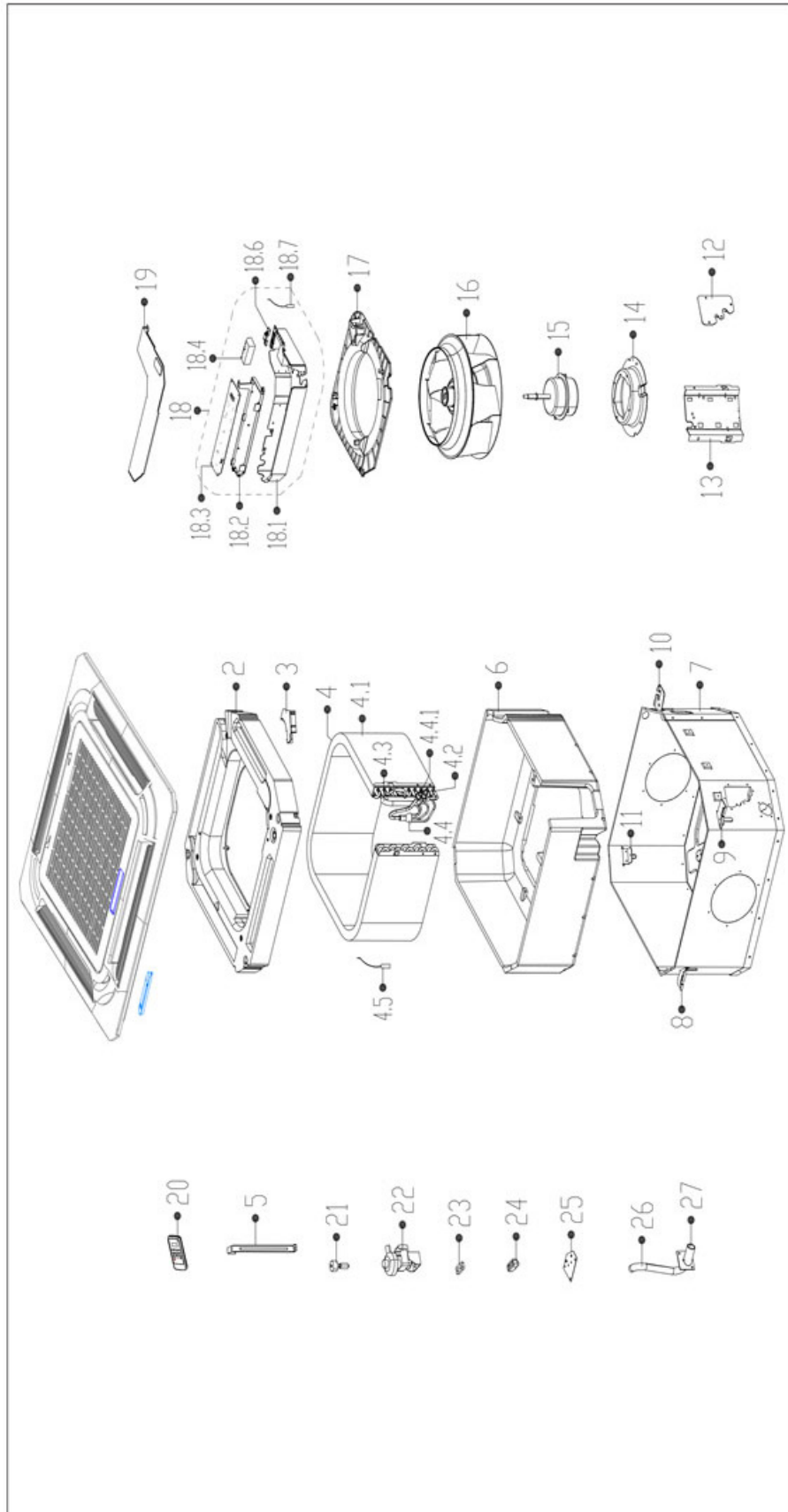
---

REPLACEMENT PARTS LIST

**Low Temperature Ductless  
Mini-Split Indoor Ceiling Cassette**

B-VMH18CU-1

# EXPLODED VIEW



## REPLACEMENT PARTS

Location	Part Name	Quantity	Part No.
2	Water collector assembly	1	12822500000017
3	Wire box	1	12122500000022
4	Evaporator assembly	1	158225000000499
4.1	Evaporator	1	158225000000400
4.2	Copper nut	1	15500406000012
4.3	Evaporator outlet pipe subassembly	1	151225000000226
4.4	Evaporator inlet pipe subassembly	1	151225000000277
4.4.1	Copper nut	1	15500406000016
4.5	Pipe Temperature Sensor	1	11201007000070
5	Evaporator fixing hanger	1	122225000000093
6	Base foam subassembly	1	128225000000005
7	Chassis Assembly	1	122225000000224
8	Hook	1	122225000000191
9	Hook	1	122225000000192
10	Hook	1	122225000000190
11	Hook	1	122225000000193
12	Pipe fixing board subassembly	1	121225000000330
13	Evaporator connecting board	1	122225000000197
14	Fan motor base	1	122225000000199
15	Brushless DC Motor	1	11002015000069
16	centrifuge fan	1	12100103000089
17	Ventilation ring	1	121225000000425
18	Electronic control box subassembly	1	172225000000094
18.1	Electronic control box	1	122225000000165
18.2	Insulation plate	1	121225000000029
18.3	Main control board subassembly	1	171225000000412
18.4	Wire joint	1	17400401000075
18.6	Clip	1	12200203000041
18.7	Room Temperature Sensor	1	112010070000283
19	control box cover	1	122225000000209
20	Remote controller	1	17317000A19587
21	Water Level Switch	1	17400511000015
22	Induction pump	1	11001010000063
23	Drain pump rubber washer	1	126225000000005
24	Drain pump rubber washer	1	126225000000003
25	Drain pump installation base	1	122225000000352
26	Rubber tube	1	12622500000012
27	Drain pipe	1	12100510000019
38	Bracket of remote Controller	1	12117000002114
43	Accessory kit	1	12026200A00001



---

Due to ongoing product improvements, specifications and dimensions are subject to change and correction without notice or incurring obligations. Determining the application and suitability for use of any product is the responsibility of the installer. Additionally, the installer is responsible for verifying dimensional data on the actual product prior to beginning any installation preparations.

Incentive and rebate programs have precise requirements as to product performance and certification. All products meet applicable regulations in effect on date of manufacture; however, certifications are not necessarily granted for the life of a product. Therefore, it is the responsibility of the applicant to determine whether a specific model qualifies for these incentive/rebate programs.

*Comfort-Aire.* **Century**