
Comfort-Cire®

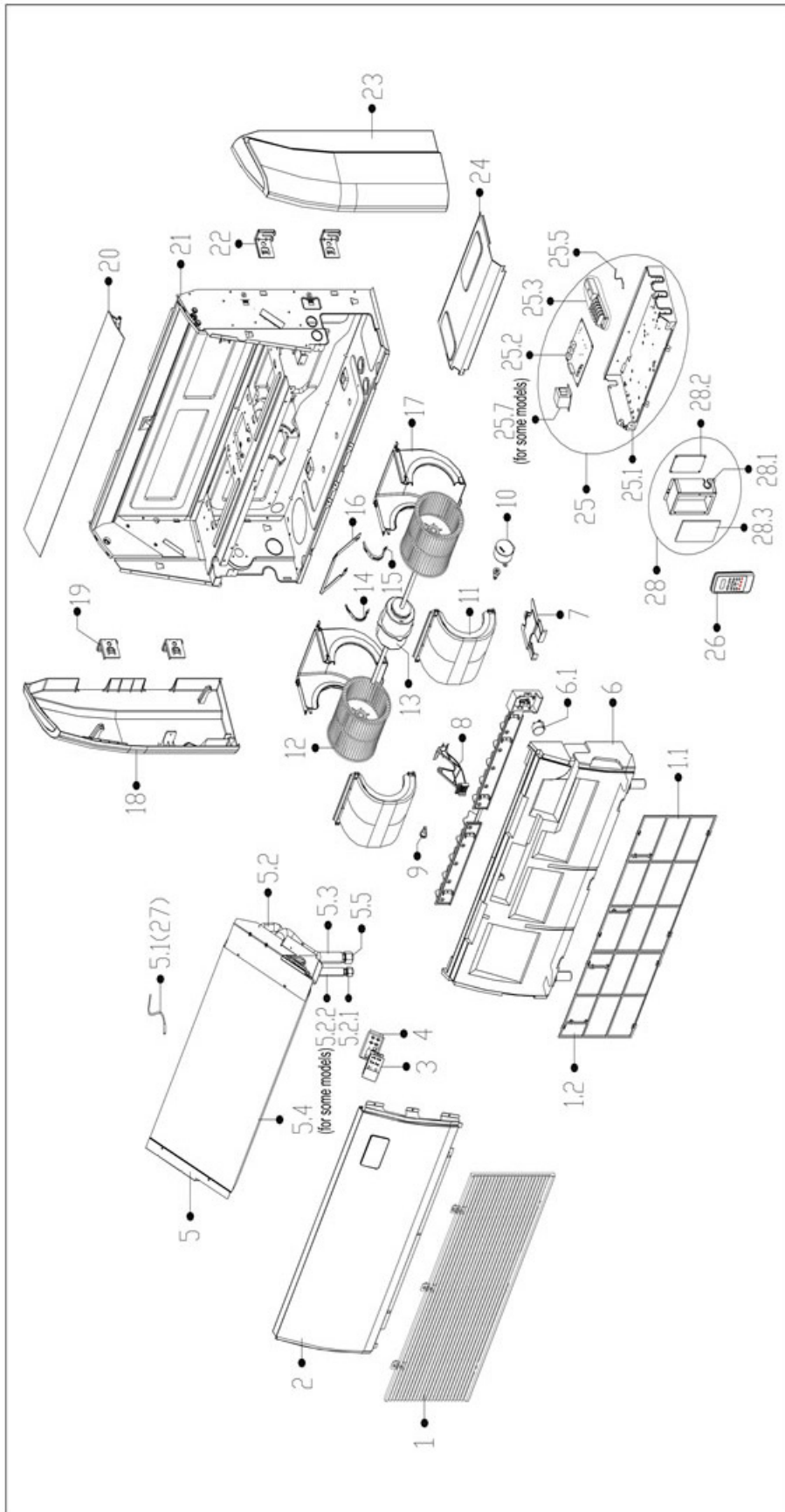
Century®

REPLACEMENT PARTS LIST

**Low Temperature Ductless
Mini-Split Indoor Floor/Ceiling**

B-VMH18UU-1

EXPLODED VIEW



REPLACEMENT PARTS

Location	Part Name	Quantity	Part No.
1	Return air grille subassembly	1	12122700000100
1.1	Air Filter	1	12100204000718
1.2	Air Filter	1	12100204000719
2	Top cover	1	12222700000096
3	Display board subassembly	1	17122700000005
4	Display installation box	1	12122700000044
5	Evaporator assembly	1	15822700A02456
5.1	Pipe Temperature Sensor	1	11201007000006
5.2	Evaporator inlet pipe subassembly	1	15122700000236
5.2.1	Copper nut	1	15500406000016
5.3	Evaporator outlet pipe subassembly	1	15122700000202
5.4	Evaporator	1	15822700A00797
5.5	Copper nut	1	15500406000012
6	Water collector subassembly	1	12822700000010
6.1	Stepper motor	1	11002010000546
7	display board installation support	1	12222700000054
8	Supporter of louver	1	12122700000150
9	Insulated axis	2	12122000000344
10	stepper motor	1	11002010000057
11	Volute shell (above)	2	12122700000049
12	plastic fan	2	12100103000165
13	Brushless DC Motor	1	11002015000043
14	Fan motor clamp (right)	1	12222500000255
15	Fan motor clamp (left)	1	12222500000253
16	Fan motor fixing bracket	1	12222300000230
17	Volute shell (below)	2	12122700000113
18	Cover	1	12122700000087
19	Right hook	2	12222700000018
20	Louver subassembly	1	12122700000061
21	Chassis assembly	1	12222700000229
22	Left hook	2	12222700000016
23	Cover	1	12122700000093
24	Cover of electronic control box subassembly	1	12222700000058
25	E-Parts Box assembly	1	17222700A01711
25.1	Electronic control box	1	12222700000083
25.2	Main control board subassembly	1	17122700A01407
25.3	Wire joint	1	17400401000020
25.3	Wire joint	1	17400401000075
25.5	Room temp sensor assembly	1	11201007000073
25.7	Reactor	1	17400306000070
26	Remote controller	1	17317000A50505
27	Pipe Temperature Sensor	1	11201007000266
28	Electronic control box subassembly	1	17222700000159
28.1	Electronic control box	1	12223000000052
28.2	Inverter control board subassembly	1	17122000008562
28.3	Radiator	1	11203803000154
40	Bracket of remote Controller	1	12117000002114

Due to ongoing product improvements, specifications and dimensions are subject to change and correction without notice or incurring obligations. Determining the application and suitability for use of any product is the responsibility of the installer. Additionally, the installer is responsible for verifying dimensional data on the actual product prior to beginning any installation preparations.

Incentive and rebate programs have precise requirements as to product performance and certification. All products meet applicable regulations in effect on date of manufacture; however, certifications are not necessarily granted for the life of a product. Therefore, it is the responsibility of the applicant to determine whether a specific model qualifies for these incentive/rebate programs.

Comfort-Aire. **Century**