

---

*Comfort-Cire*®

**Century**®

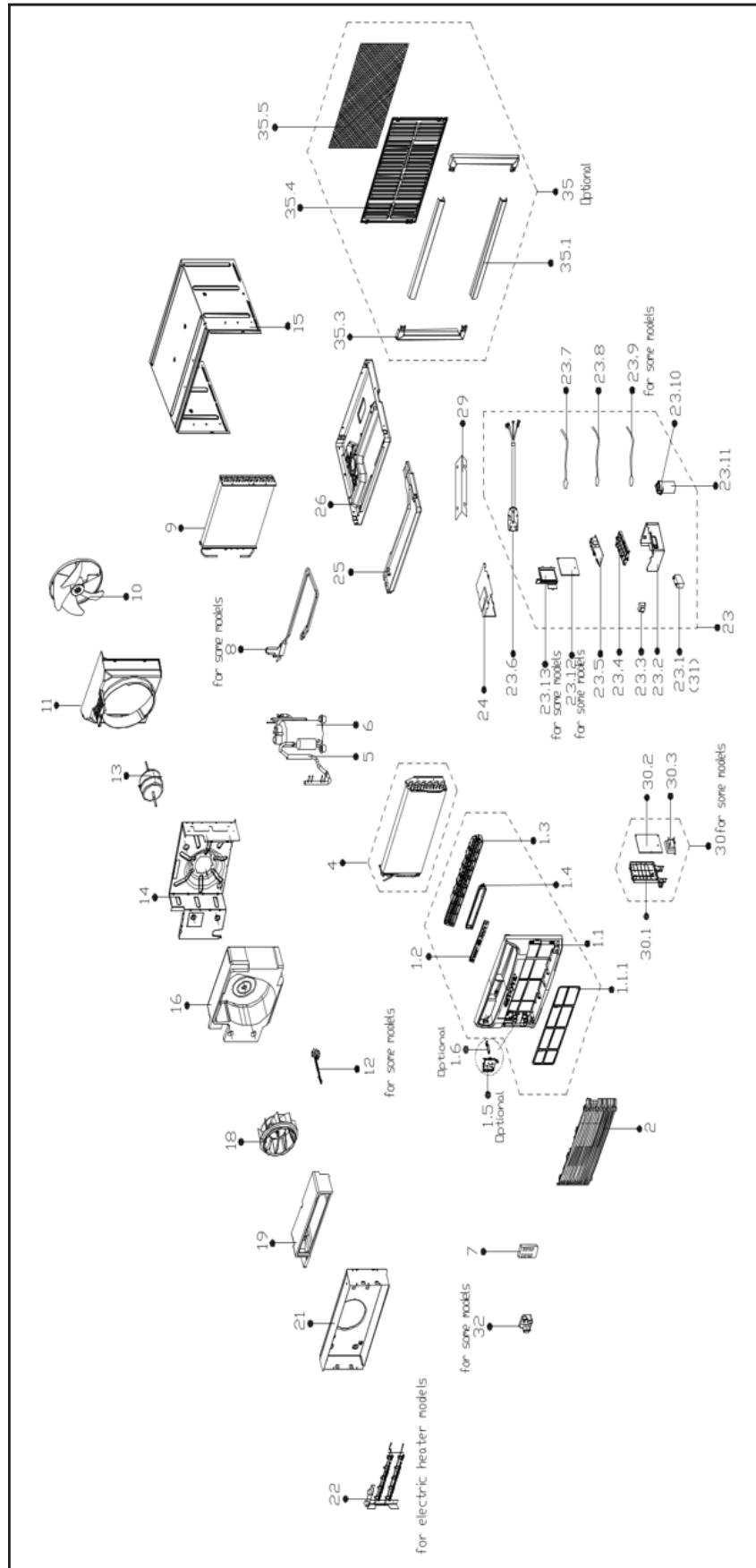
---

PARTS LIST

## **Thru-the-Wall**

BG-121R01

# EXPLODED VIEW



## REPLACEMENT PARTS

Location	Part Name	Quantity	Part No.
2	Panel	1.00	12120300A22046
3	Air outlet assembly	1.00	12120300A23009
4	Evaporator assembly	1.00	15820300004321
5	Discharge pipe assembly	1.00	15120300008023
6	Fixed Speed Rotary Compressor	1.00	11103010015853
7	Remote controller	1.00	17317000A67542
9	Condenser Assembly	1.00	15820300002512
10	Axial flow fan	1.00	12100105000053
11	Rear Barrier Board Subassembly	1.00	12120300004552
13	Single Phase Asynchronous Motor	1.00	11002012010381
14	Front separating board subassembly	1.00	12220300004941
15	Cabinet	1.00	12220300003939
16	Rear volute shell	1.00	12820300000032
18	Centrifugal Fan	1.00	12100103000063
19	Foam, air outlet	1.00	12820300000075
20	Filter	1.00	12120300A23728
21	Installation plate of Electric heater subassembly	1.00	12220300001094
23	Electronic control box subassembly	1.00	17220300A24217
23.1	Capacitor of fan motor	1.00	17400101A00464
23.3	Linear Transformer	1.00	11203103002539
23.4	Bracket of Main Control Board	1.00	12120300003724
23.5	Main control board subassembly	1.00	17120300A05760
23.6	American standard power cord	1.00	17401202016267
23.7	Pipe Temperature Sensor	1.00	11201007003447
23.8	Room Temperature Sensor	1.00	11201007003440
23.10	Fasten board of Capacitor	1.00	12122000017361
23.11	Compressor Capacitor	1.00	17400103000090
24	Electronic Control Box Cover Subassembly	1.00	12220300001092
25	Foam	1.00	12820300000059
26	Chassis assembly	1.00	12220300003940
33	Display box subassembly	1.00	17220300A25269
35	Installation accessory	1.00	12020300A02884
35.1	Top shutter frame	2.00	12120300004665
35.3	Right shutter frame	2.00	12120300004664
35.4	Air inlet grille	1.00	12920300000001
35.5	Net	1.00	12120300001299
38	Wiring diagram	1.00	16020300003682

---

Due to ongoing product improvements, specifications and dimensions are subject to change and correction without notice or incurring obligations. Determining the application and suitability for use of any product is the responsibility of the installer. Additionally, the installer is responsible for verifying dimensional data on the actual product prior to beginning any installation preparations.

Incentive and rebate programs have precise requirements as to product performance and certification. All products meet applicable regulations in effect on date of manufacture; however, certifications are not necessarily granted for the life of a product. Therefore, it is the responsibility of the applicant to determine whether a specific model qualifies for these incentive/rebate programs.

*Comfort-Cire*®  **Century**®

1900 Wellworth Avenue • Jackson, MI 49203 • 517-787-2100