

FEATURES

- Available for cooling and heat pump applications
- All-aluminum tubes & fins
- Factory-sealed cabinet certified to achieve 2% or less leakage rate at 1.0 inch water column
- Multi-position Installation
- Horizontal and vertical condensate drain pans standard
- Blower and coil slide out for ease of maintenance
- Field Installed heater kits are optional: 5/7.5/10/15/20kW
- AHRI Listed & ETL Certified

MULTI-POSITION AIR HANDLER

PSC Motor

Cooling Capacity: 24 - 60 kBTU/h



MODEL NUMBER GUIDE

A	M	P	24	S	1	A
Air Handler	Multi-Position	PSC/Piston	Capacity BTUH x 1000	SE Series	Power 1 = 208/230-1-60	Revision Level

SPECIFICATIONS

	AMP24S1A	AMP36S1A	AMP48S1A	AMP60S1A
NOMINAL RATING				
Cooling (BTU/h)	24,000	36,000	48,000	60,000
ELECTRICAL DATA				
Voltage / Phase(60Hz)	208/230/1	208/230/1	208/230/1	208/230/1
Min. / Max. Voltage	187/253	187/253	187/253	187/253
Min. Circuit Amps	2.9	3.3	4.2	5.7
Max. Overcurrent Protection	15	15	15	15
FAN MOTOR				
Motor Type	PSC	PSC	PSC	PSC
Capacitor (uF)	10	10	20	20
Horsepower (HP)	1/4	1/2	1/2	3/4
Rated RPM	903	865	925	990
Full Load Amps (FLA)	2.3	2.6	3.3	4.5
FAN BLOWER				
Material	Metal	Metal	Metal	Metal
Type	Centrifugal	Centrifugal	Centrifugal	Centrifugal
Diameter(in.)	13	13	13	13
Height(in.)	10-5/8	10-5/8	10-5/8	10-5/8
EVAPORATOR COIL				
Type	Tube & Fin	Tube & Fin	Tube & Fin	Tube & Fin
Tube Material	Aluminum	Aluminum	Aluminum	Aluminum
Tube Size(in.)	9/32	9/32	9/32	9/32
REFRIGERANT CONNECTION SIZE				
Liquid Line Size (O.D.)	3/8	3/8	3/8	3/8
Suction Line Size (O.D.)	3/4	3/4	7/8	7/8

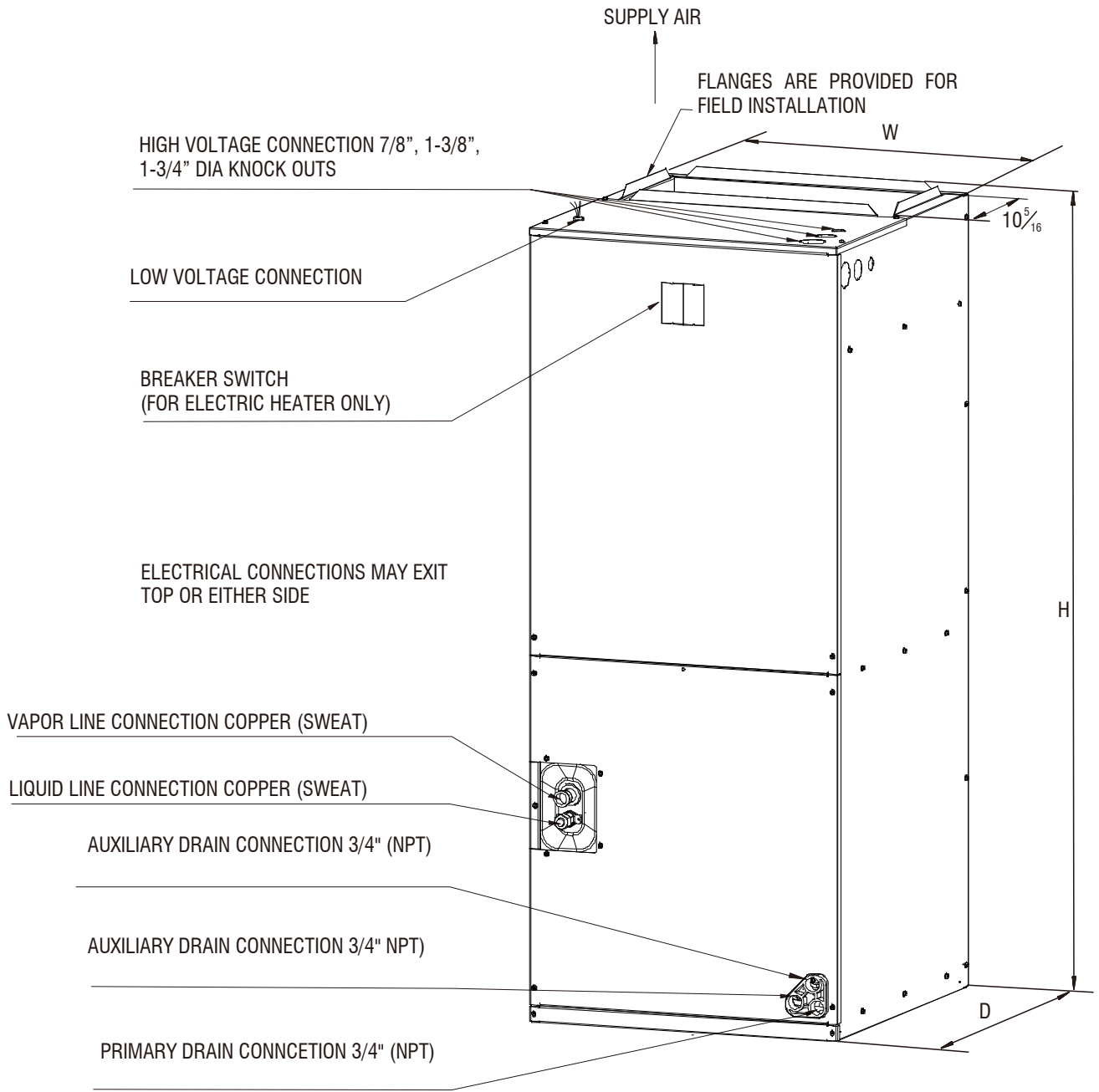
TXV KITS

	Part#	Description	Used On
TXV Kit	TR6-3TONNB	18-36K	MAA18(36,42)S1A, MAA3042S1A, MAA36(42,48,60)S1A, AMP36S1A, AMC24S1A, AMC36S1A, AMP48S1A
	TR6-4TON	42-48K	MAA(18,30)42S1A, MAA36(48,60)S1A, MAA4260S1A, AMP48S1A, AMC36S1A, AMC60S1A
	TR6-5TON	60K	MAA3660S1A, MAA4260S1A, AMP60S1A, AMC60S1A



Comfort-Cure®

NOTE: 25" CLEARANCE IS REQUIRED IN THE FRONT OF THE UNIT FOR FILTER AND COIL MAINTENANCE.



UPFLOW CONFIGURATIONS SHOWN;
MAY BE INSTALLED UPFLOW, DOWNFLOW,
HORIZONTAL RIGHT OR LEFT.

	AMP24S1A	AMP36S1A	AMP48S1A	AMP60S1A
DIMENSIONS AND WEIGHTS				
Height (in.)	46-1/2	46-1/2	54-1/2	54-1/2
Width (in.)	19-5/8	19-5/8	22	22
Depth (in.)	21-5/8	21-5/8	24	24
Weight (lbs.)	128	128	159	161

AIR FLOW DATA

Air Handler Model	Outdoor Unit Size(Tons)	Motor Speed		CFM Wet Coil without filter and Electric Heat								
				External Static Pressure-Inches W.C.[kPa]								
				0[0]	0.1[.025]	0.2[.050]	0.3[.075]	0.4[0.100]	0.5[0.125]	0.6[0.150]	0.7[0.175]	0.8[0.200]
AMP24S1A	2	Low	CFM	999	953	905	847	757	681	610	543	411
			Watts	316	310	306	302	288	279	270	256	240
			Current/A	1.38	1.36	1.34	1.32	1.28	1.24	1.21	1.16	1.1
		Medium	CFM	1176	1127	1086	1028	944	842	746	668	569
			Watts	342	336	334	326	315	303	292	281	266
			Current/A	1.49	1.47	1.45	1.42	1.38	1.33	1.29	1.25	1.19
		High	CFM	1409	1359	1306	1253	1192	1108	986	870	743
			Watts	456	446	438	429	419	404	384	368	348
			Current/A	2.01	1.96	1.93	1.9	1.86	1.8	1.73	1.67	1.61
AMP36S1A	2.5	Low	CFM	1028	985	930	859	781	712	649	571	468
			Watts	362	353	345	335	323	313	303	290	276
			Current/A	1.64	1.62	1.6	1.57	1.54	1.51	1.49	1.45	1.42
		Medium	CFM	1315	1266	1208	1146	1065	981	866	775	686
			Watts	406	399	392	385	372	361	344	331	320
			Current/A	1.82	1.8	1.78	1.75	1.72	1.69	1.65	1.62	1.59
		High	CFM	1532	1478	1421	1347	1284	1184	1082	932	805
			Watts	524	513	502	491	478	462	446	423	407
			Current/A	2.39	2.36	2.34	2.31	2.28	2.23	2.2	2.14	2.11
AMP36S1A	3	Low	CFM	1028	985	930	859	781	712	649	571	468
			Watts	362	353	345	335	323	313	303	290	276
			Current/A	1.64	1.62	1.6	1.57	1.54	1.51	1.49	1.45	1.42
		Medium	CFM	1315	1266	1208	1146	1065	981	866	775	686
			Watts	406	399	392	385	372	361	344	331	320
			Current/A	1.82	1.8	1.78	1.75	1.72	1.69	1.65	1.62	1.59
		High	CFM	1532	1478	1421	1347	1284	1184	1082	932	805
			Watts	524	513	502	491	478	462	446	423	407
			Current/A	2.39	2.36	2.34	2.31	2.28	2.23	2.2	2.14	2.11
AMP48S1A	3.5	Low	CFM	1336	1310	1282	1234	1182	1140	1049	925	833
			Watts	492	483	474	463	452	443	422	393	374
			Current/A	2.24	2.22	2.17	2.13	2.1	1.93	2.03	1.9	1.87
		Medium	CFM	1654	1610	1569	1510	1461	1394	1350	1265	1034
			Watts	550	537	526	512	503	489	475	458	416
			Current/A	2.4	2.38	2.35	2.32	2.3	2.18	2.16	2.08	2.04
		High	CFM	1918	1875	1817	1771	1715	1651	1584	1511	1395
			Watts	717	703	686	670	652	635	617	600	570
			Current/A	3.2	3.18	3.14	3.1	3.04	3	2.9	2.87	2.85

NOTE:

--- Shaded boxes represent airflow outside the required 300-450 cfm/ton, which are not recommended.

AIR FLOW DATA CONT.

Air Handler Model	Outdoor Unit Size(Tons)	Motor Speed		CFM Wet Coil without filter and Electric Heat								
				External Static Pressure-Inches W.C.[kPa]								
				0[0]	0.1[.025]	0.2[.050]	0.3[.075]	0.4[0.100]	0.5[0.125]	0.6[0.150]	0.7[0.175]	0.8[0.200]
AMP48S1A	4	Low	CFM	1336	1310	1282	1234	1182	1140	1049	925	833
			Watts	492	483	474	463	452	443	422	393	374
			Current/A	2.24	2.22	2.17	2.13	2.1	1.93	2.03	1.9	1.87
		Medium	CFM	1654	1610	1569	1510	1461	1394	1350	1265	1034
			Watts	550	537	526	512	503	489	475	458	416
			Current/A	2.4	2.38	2.35	2.32	2.3	2.18	2.16	2.08	2.04
		High	CFM	1918	1875	1817	1771	1715	1651	1584	1511	1395
			Watts	717	703	686	670	652	635	617	600	570
			Current/A	3.2	3.18	3.14	3.1	3.04	3	2.9	2.87	2.85
AMP60S1A	5	Low	CFM	1726	1693	1655	1637	1584	1500	1421	1328	1217
			Watts	678	658	639	619	602	576	553	526	495
			Current/A	2.95	2.87	2.78	2.69	2.62	2.52	2.42	2.31	2.18
		Medium	CFM	1983	1933	1879	1828	1760	1685	1597	1507	1403
			Watts	695	675	655	635	615	596	574	550	522
			Current/A	3.02	2.93	2.85	2.76	2.67	2.59	2.5	2.4	2.28
		High	CFM	2138	2086	2024	1952	1873	1797	1722	1646	1516
			Watts	793	773	751	726	702	679	658	638	604
			Current/A	3.45	3.7	3.27	3.17	3.06	2.97	2.88	2.79	2.65

NOTE:

--- Shaded boxes represent airflow outside the required 300-450 cfm/ton, which are not recommended.

ELECTRIC HEATER KITS

NO.	Kit	Description	Ref.Air Handler Use
1	EHK-05A(UL)	5kW Heat Strip	24/36/48/60
2	EHK-08A(UL)	7.5kW Heat Strip	24/36/48/60
3	EHK-10A(UL)	10kW Heat Strip	24/36/48/60
4	EHK-15B(UL)	15kW Heat Strip, double Breaker panel	36/48/60
5	EHK-20B(UL)	20kW Heat Strip, double Breaker panel	36/48/60



HEATER KITS

Model	Air Handler Capacity (kBTU/h)	Electric Heat(kW)	Min. Circuit Ampacity		Max. Fuse or Breaker (HACR) Ampacity		Blower Speed		
			240V	208V	240V	208V	1	2	3
AMP24S1A									
EHK-05A(UL)	24	5	29	25.5	30	30	x	•	•
EHK-08A(UL)		7.5	42	36.8	45	40	•	•	•
EHK-10A(UL)		10	55	48.1	60	50	x	•	•
AMP36S1A									
EHK-05A(UL)	36	5	29.4	25.9	30	30	•	•	•
EHK-08A(UL)		7.5	42.4	37.2	45	40	•	•	•
EHK-10A(UL)		10	55.4	48.5	60	50	•	•	•
EHK-15B(UL)		15	55.4/26.1	48.5/22.6	60/30	50/25	•	•	•
EHK-20B(UL)		20	55.4/52.1	48.5/45.2	60/60	60/50	•	•	•
AMP48S1A									
EHK-05A(UL)	48	5	30.3	26.8	35	30	x	x	•
EHK-08A(UL)		7.5	43.3	38.1	45	40	x	x	•
EHK-10A(UL)		10	56.3	49.4	60	50	x	x	•
EHK-15B(UL)		15	56.3/26.1	49.4/22.6	60/30	50/25	x	x	•
EHK-20B(UL)		20	56.3/52.1	49.4/45.2	60/60	50/50	x	x	•
AMP60S1A									
EHK-05A(UL)	60	5	31.8	28.3	35	30	•	•	•
EHK-08A(UL)		7.5	44.8	39.6	45	40	•	•	•
EHK-10A(UL)		10	57.8	50.9	60	60	•	•	•
EHK-15B(UL)		15	57.8/26.1	50.9/22.6	60/30	60/25	•	•	•
EHK-20B(UL)		20	57.8/52.1	50.9/45.2	60/60	60/50	•	•	•

NOTE: Heat kit suitable for AHU 4-way position installation.
Ampacities for MCA and Fuse/breaker including the blower motor.

Due to ongoing product improvements, specifications and dimensions are subject to change and correction without notice or incurring obligations. Determining the application and suitability for use of any product is the responsibility of the installer. Additionally, the installer is responsible for verifying dimensional data on the actual product prior to beginning any installation preparations.

Third party incentive and rebate programs have precise requirements as to product performance and certification. All products meet applicable regulations in effect on date of manufacture; however, certifications are not necessarily granted for the life of a product. Therefore, it is the responsibility of the applicant to determine whether a specific model qualifies for these incentive/rebate programs.

“This product complies with all California product labeling laws including, but not limited to, the Safe Drinking Water and Toxic Enforcement Act of 1986, more commonly known as Proposition 65.”