

HVAC EQUIPMENT GUIDE

*Electric Furnaces, 80% Gas Furnaces
95% Gas Furnaces, Coils and Accessories*



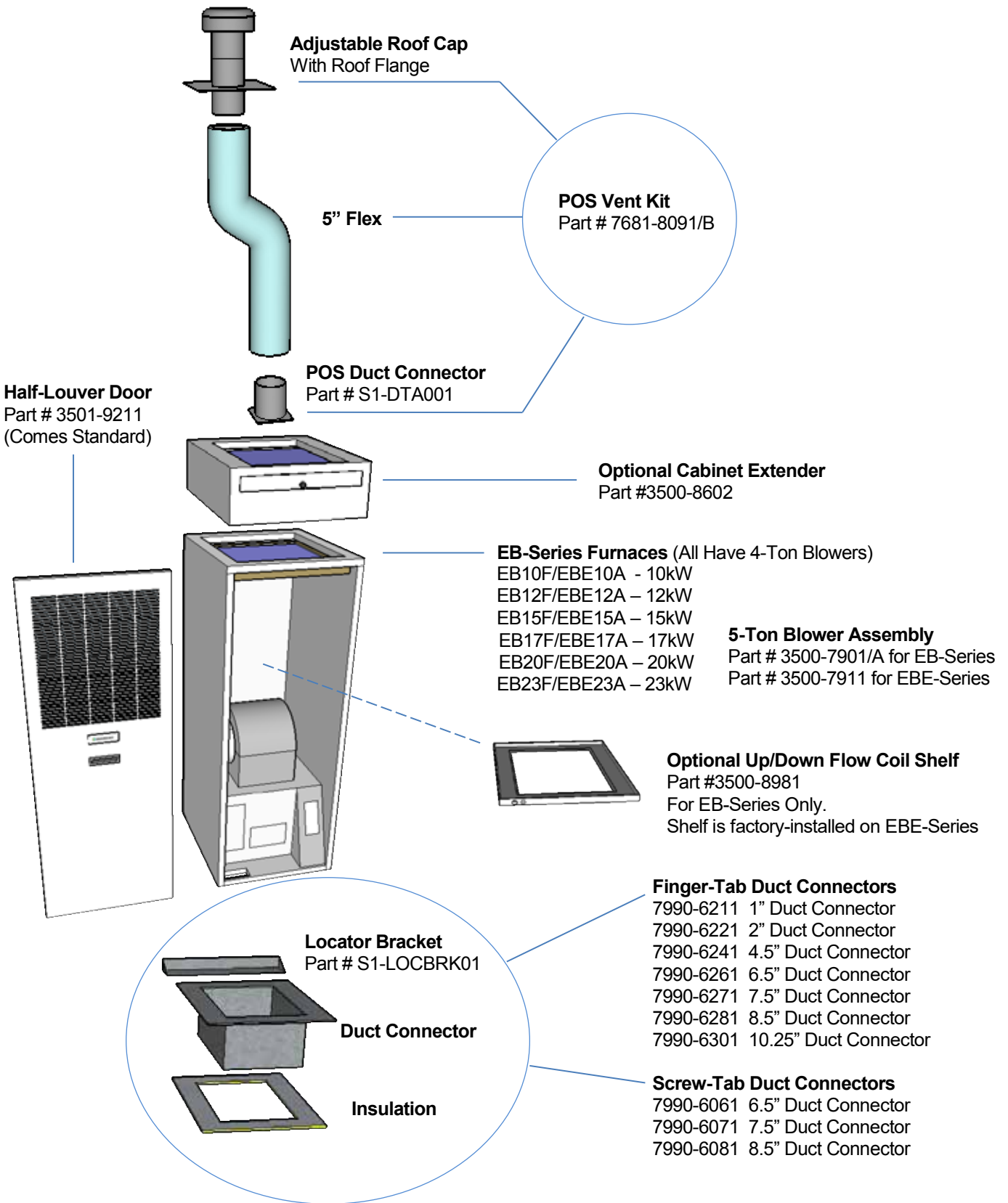
Comfort-Cire[®]

Manufactured Housing HVAC Equipment Guide

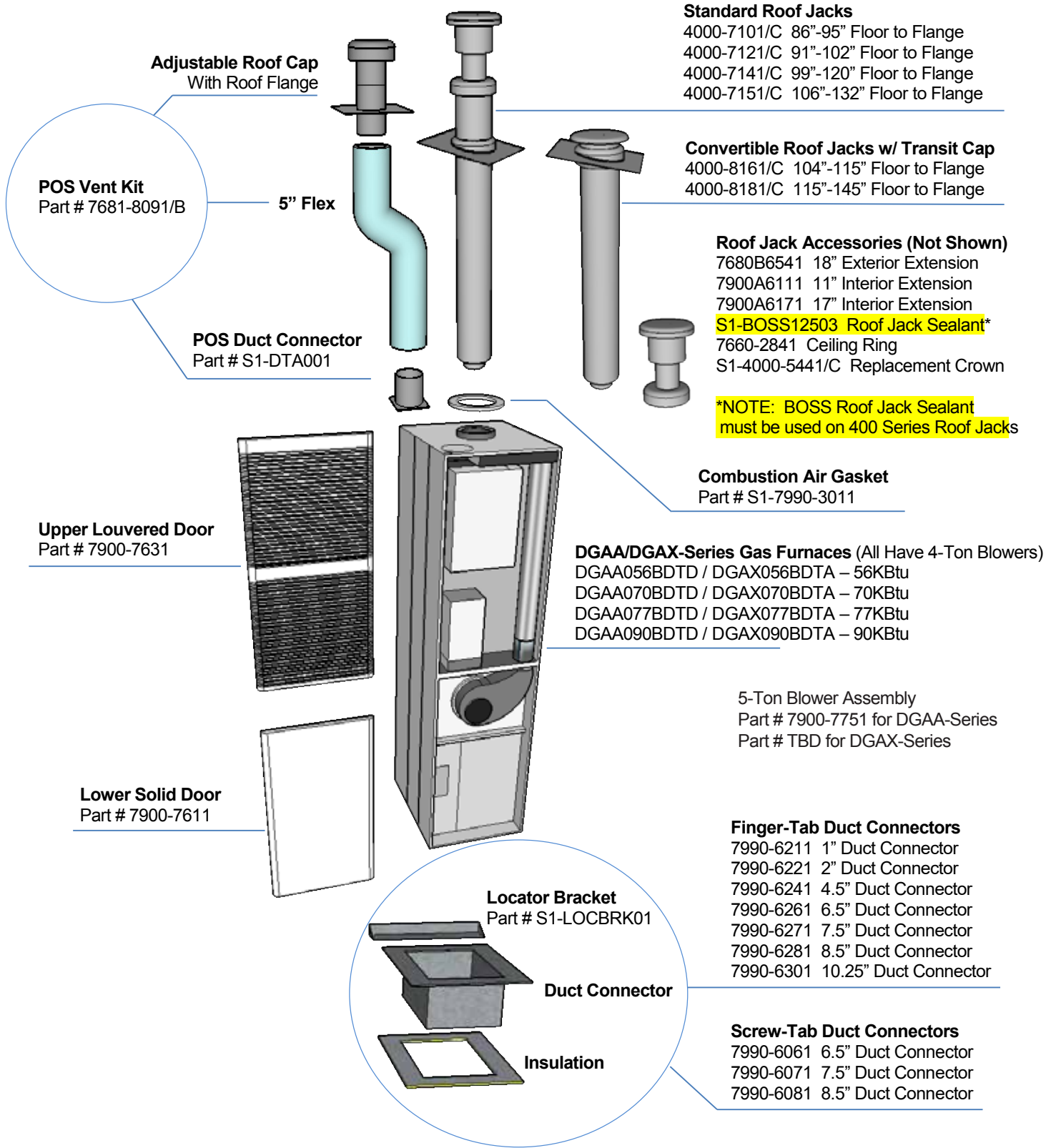
EB/EBE-Series Electric Furnace: Down-Flow Configuration.....	Pg. 2
DGAA/DGAX-Series Gas Furnace: Down-Flow Configuration.....	Pg. 3
MG9S/MM9E-Series Gas Furnace: Down-Flow Configuration.....	Pg. 4
MG9S/MM9E-Series Gas Furnace: Up-Flow on Fabricated Shelf.....	Pg. 5
MG9S/MM9E-Series Gas Furnace: Up-Flow with Side Return.....	Pg. 6
Duct Connector Installation Detail.....	Pg. 7
Duct Connector Dimensions EB/EBE and DGAA/DGAX-Series Furnaces.....	Pg. 8
Duct Connector Dimensions MG9S/MM9E-Series Furnaces.....	Pg. 9
Roof Jack Details.....	Pg. 10
Gas Furnace Orifice Details.....	Pg. 11
Manufactured Housing Coils.....	Pg. 12

Comfort-Cire®

EB/EBE-Series Electric Furnace in default *Down-Flow Configuration*



DGAA/DGAX-Series 80% Gas Furnace, **Down-Flow Only**



Adjustable Roof Cap
With Roof Flange

POS Vent Kit
Part # 7681-8091/B

5" Flex

POS Duct Connector
Part # S1-DTA001

Upper Louvered Door
Part # 7900-7631

Lower Solid Door
Part # 7900-7611

Locator Bracket
Part # S1-LOCBRK01

Duct Connector

Insulation

Standard Roof Jacks

- 4000-7101/C 86"-95" Floor to Flange
- 4000-7121/C 91"-102" Floor to Flange
- 4000-7141/C 99"-120" Floor to Flange
- 4000-7151/C 106"-132" Floor to Flange

Convertible Roof Jacks w/ Transit Cap

- 4000-8161/C 104"-115" Floor to Flange
- 4000-8181/C 115"-145" Floor to Flange

Roof Jack Accessories (Not Shown)

- 7680B6541 18" Exterior Extension
- 7900A6111 11" Interior Extension
- 7900A6171 17" Interior Extension
- S1-BOSS12503 Roof Jack Sealant***
- 7660-2841 Ceiling Ring
- S1-4000-5441/C Replacement Crown

***NOTE: BOSS Roof Jack Sealant must be used on 400 Series Roof Jacks**

Combustion Air Gasket
Part # S1-7990-3011

DGAA/DGAX-Series Gas Furnaces (All Have 4-Ton Blowers)

- DGAA056BDTD / DGAX056BDTA – 56KBtu
- DGAA070BDTD / DGAX070BDTA – 70KBtu
- DGAA077BDTD / DGAX077BDTA – 77KBtu
- DGAA090BDTD / DGAX090BDTA – 90KBtu

5-Ton Blower Assembly
Part # 7900-7751 for DGAA-Series
Part # TBD for DGAX-Series

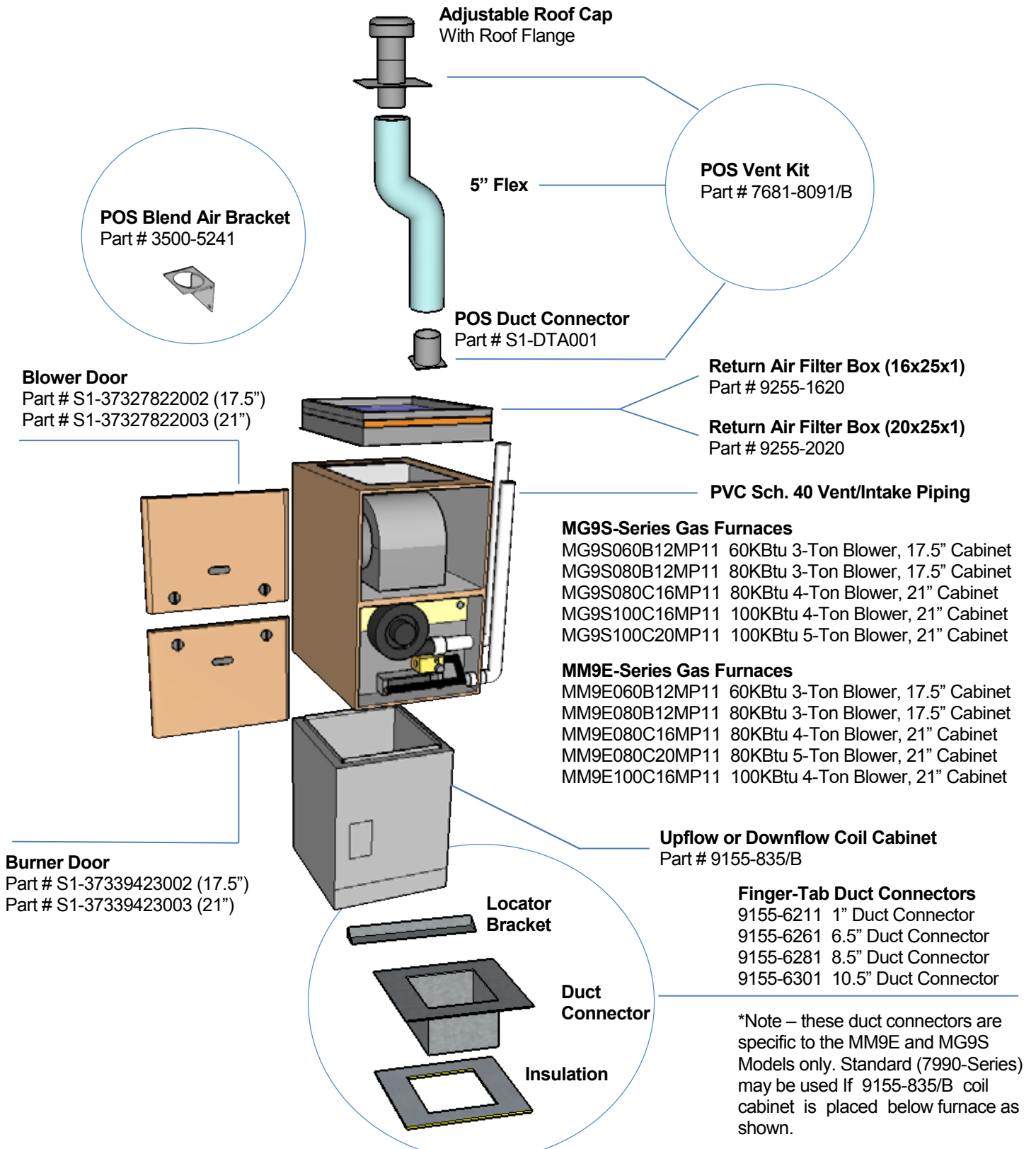
Finger-Tab Duct Connectors

- 7990-6211 1" Duct Connector
- 7990-6221 2" Duct Connector
- 7990-6241 4.5" Duct Connector
- 7990-6261 6.5" Duct Connector
- 7990-6271 7.5" Duct Connector
- 7990-6281 8.5" Duct Connector
- 7990-6301 10.25" Duct Connector

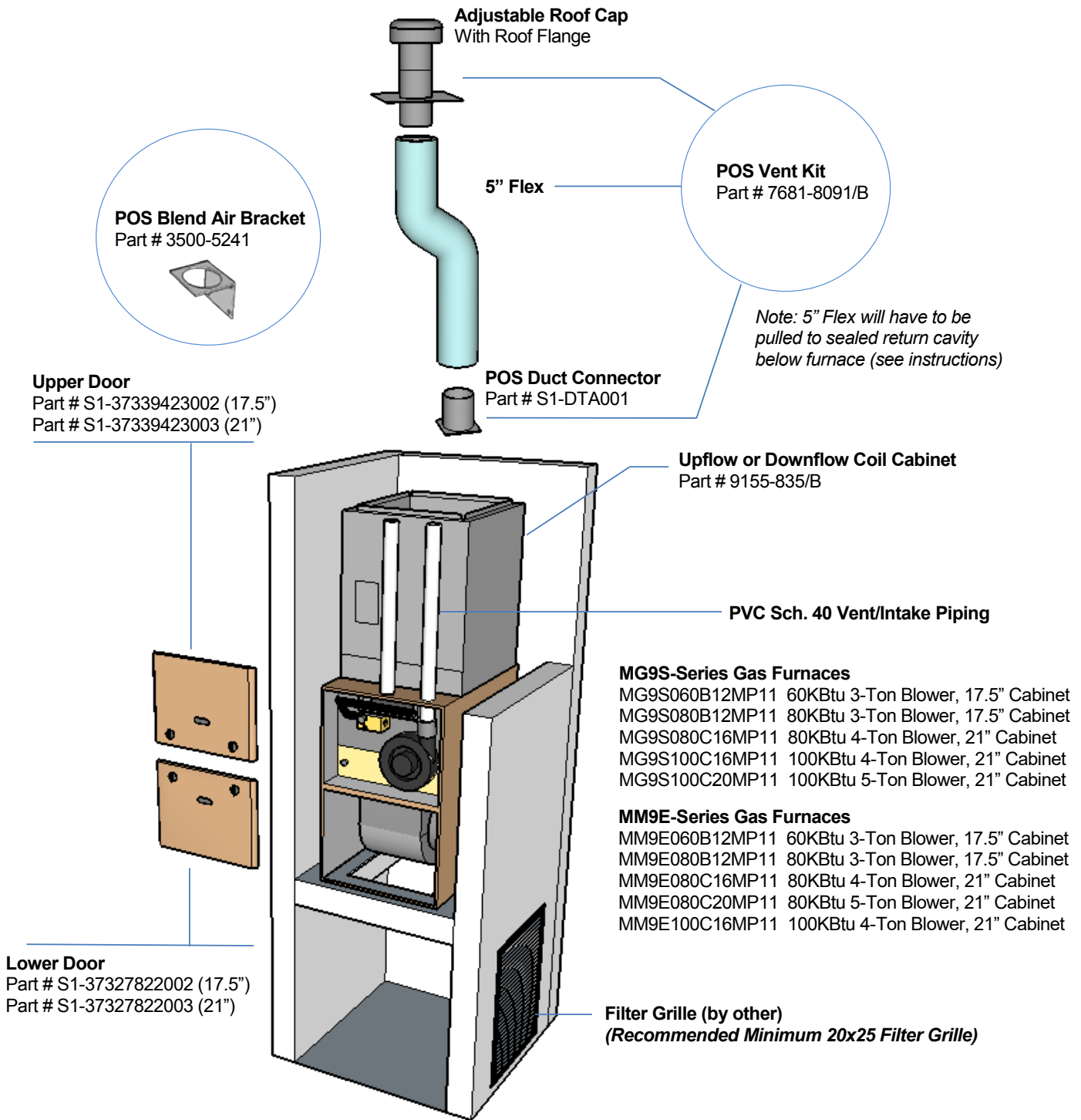
Screw-Tab Duct Connectors

- 7990-6061 6.5" Duct Connector
- 7990-6071 7.5" Duct Connector
- 7990-6081 8.5" Duct Connector

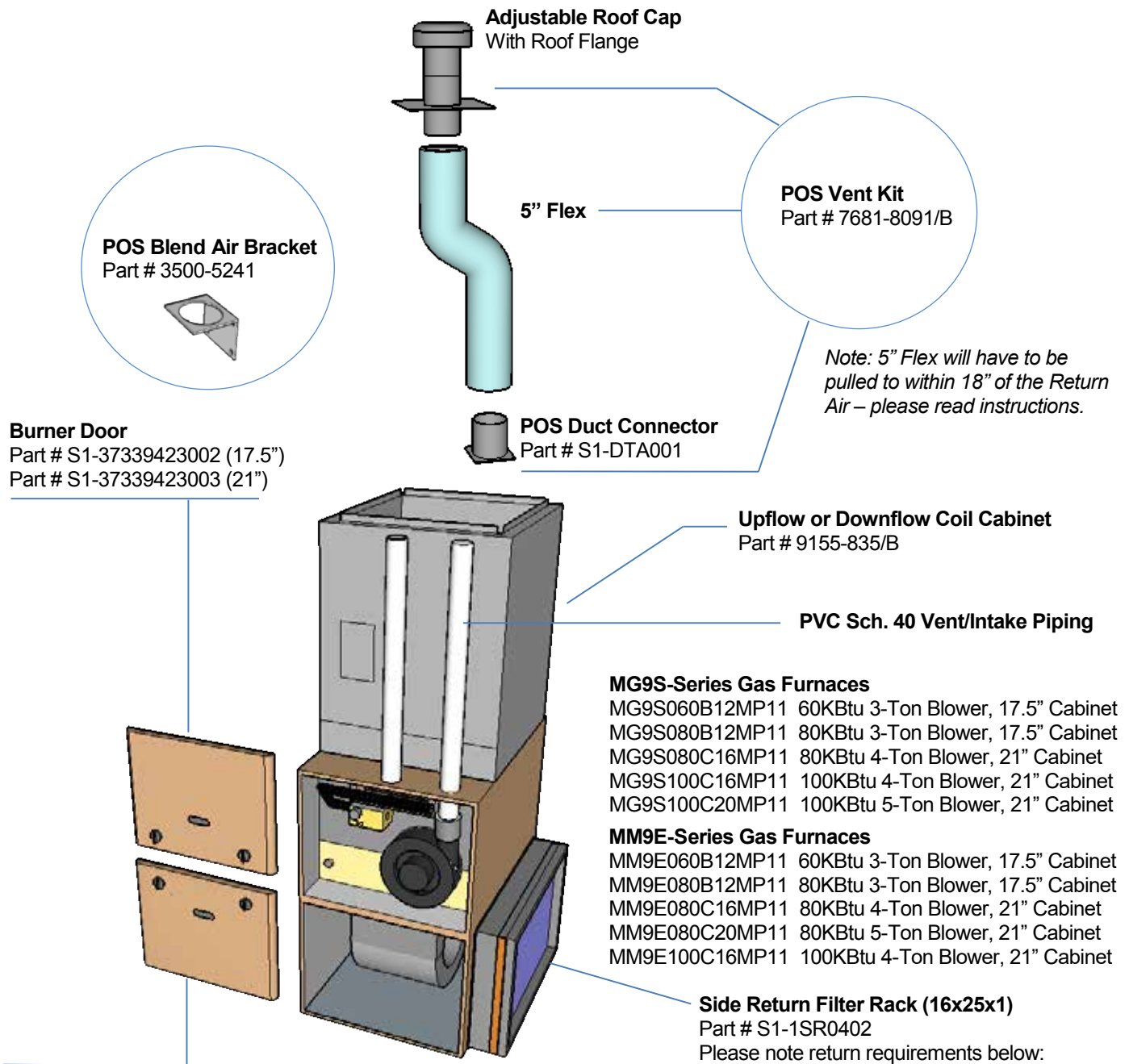
MG9S/MM9E-Series 95% Gas Furnace in default **Down-Flow Configuration**



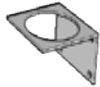
MG9S/MM9E-Series 95% Gas Furnace, converted to *Up-Flow on Fabricated Shelf*



MG9S-Series 95% Gas Furnace converted to *Up-Flow with Side Return*



POS Blend Air Bracket
Part # 3500-5241



Blower Door
Part # S1-37339423002 (17.5")
Part # S1-37339423003 (21")



Blower Door
Part # S1-37327822002 (17.5")
Part # S1-37327822003 (21")

MG9S-Series Gas Furnaces

- MG9S060B12MP11 60KBtu 3-Ton Blower, 17.5" Cabinet
- MG9S080B12MP11 80KBtu 3-Ton Blower, 17.5" Cabinet
- MG9S080C16MP11 80KBtu 4-Ton Blower, 21" Cabinet
- MG9S100C16MP11 100KBtu 4-Ton Blower, 21" Cabinet
- MG9S100C20MP11 100KBtu 5-Ton Blower, 21" Cabinet

MM9E-Series Gas Furnaces

- MM9E060B12MP11 60KBtu 3-Ton Blower, 17.5" Cabinet
- MM9E080B12MP11 80KBtu 3-Ton Blower, 17.5" Cabinet
- MM9E080C16MP11 80KBtu 4-Ton Blower, 21" Cabinet
- MM9E080C20MP11 80KBtu 5-Ton Blower, 21" Cabinet
- MM9E100C16MP11 100KBtu 4-Ton Blower, 21" Cabinet

Side Return Filter Rack (16x25x1)

Part # S1-1SR0402

Please note return requirements below:

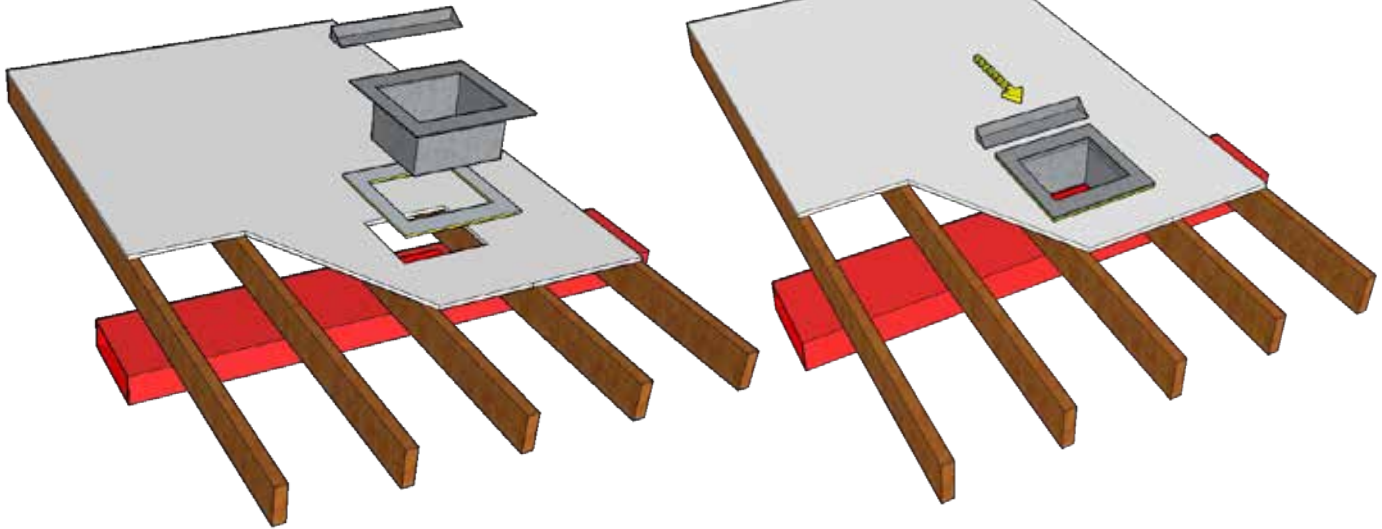
CFM	Cabinet Size	Side (in)	Bottom (in)
1200	B	16 x 25	16 x 25
1600	C	16 x 25	20 x 25
2000	C	(2) 16 x 25	20 x 25
2000	D	(2) 16 x 25	22 x 25

Typical Duct Connector Installation:

Step 1: Rectangular hole is cut in finished floor above existing supply duct. Select duct connector based on distance/depth from finished floor to supply duct. Duct connector is lowered into hole through insulation ring. Corresponding hole is cut in supply duct to match duct connector finger/screw tabs.

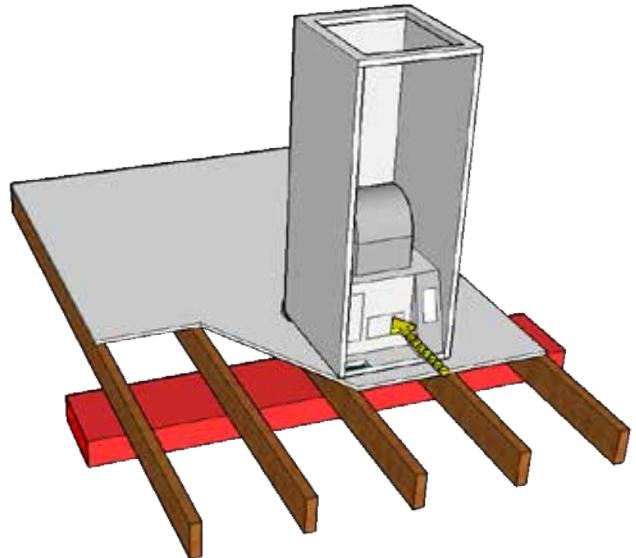
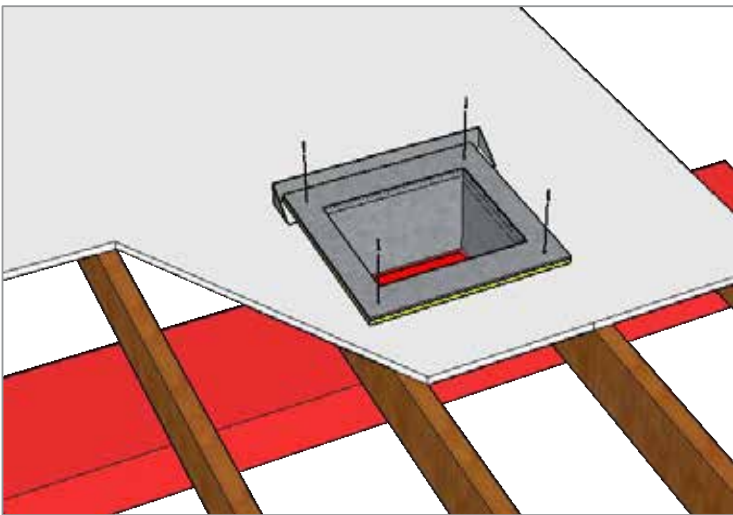
***Note:** Duct connector may be rotated in any direction to fit supply duct.

Step 2: Duct connector is then attached and sealed to supply duct using industry-approved methods. Locator plate is then slid underneath and centered side-to-side on the flange of duct connector to act as the backstop for the furnace.



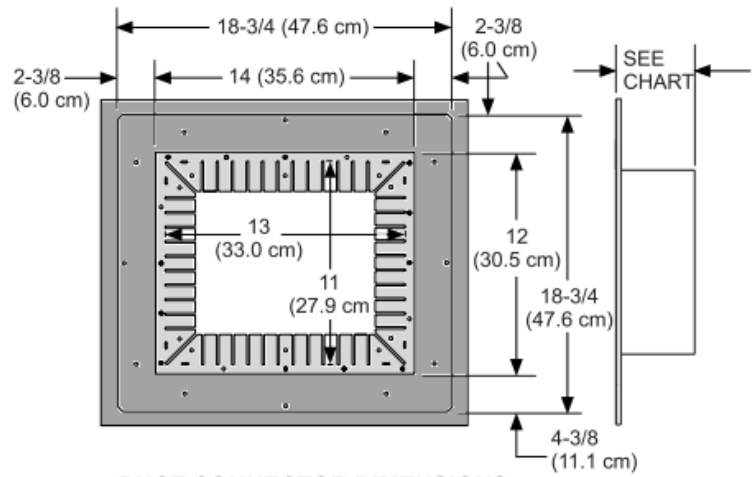
Step 3: Duct connector is then attached to the floor using appropriate screws, flat-head nails, or staples.

Step 4: Furnace is slid back to against locator plate and secured to floor using methods detailed in install manual.



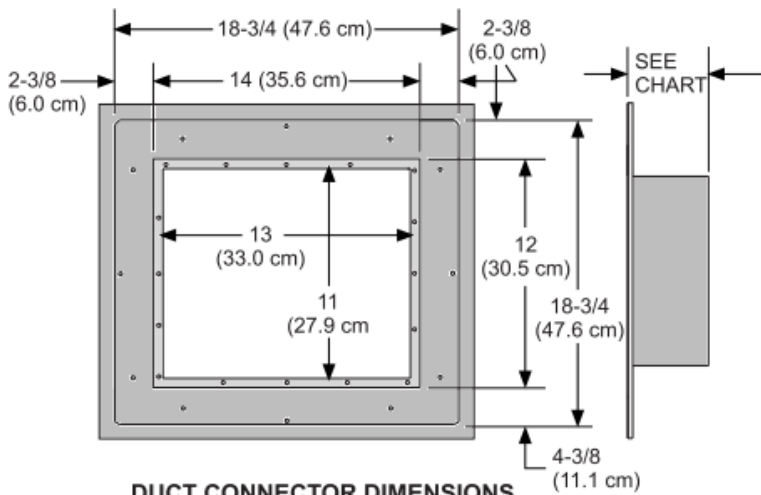
Duct Connector Dimensions for DGAA/DGAX-Series Gas Furnaces and EB/EBE-Series Electric Furnaces:

Finger-Tab Duct Connector



DUCT CONNECTOR DIMENSIONS

DUCT CONNECTOR PART NUMBER	DUCT CONNECTOR DEPTH
7990-6211	1" (2.5 cm)
7990-6221	2" (5.7 cm)
7990-6241	4-1/2" (11.4 cm)
7990-6261	6-1-2" (16.5 cm)
7990-6271	7-1/2" (19.0 cm)
7990-6281	8-1/2" (21.6 cm)
7990-6301	10-1/4" (26.0 cm)

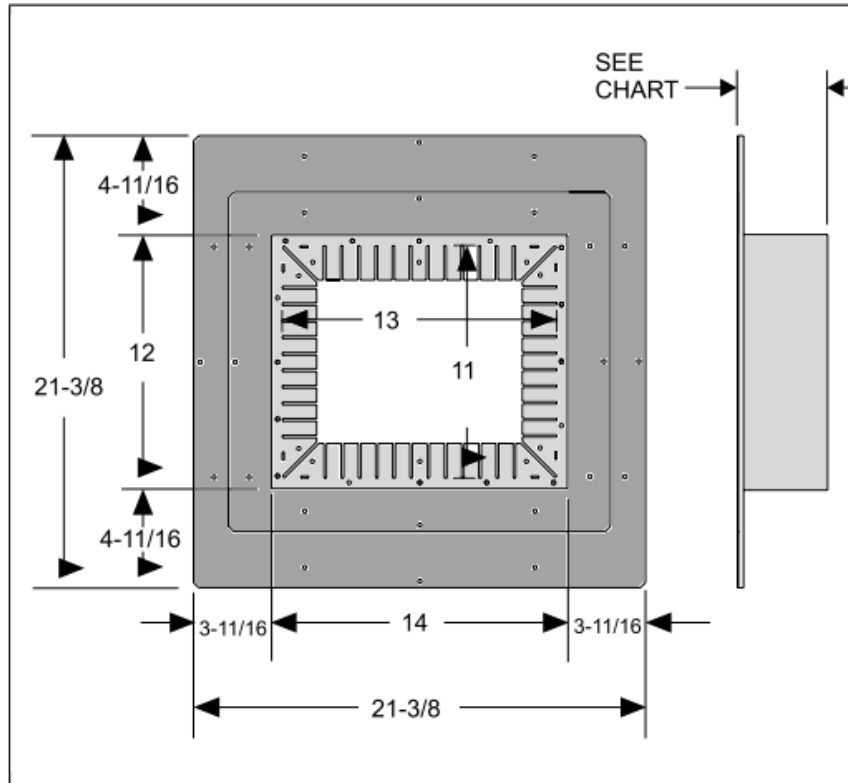


Screw-Tab Duct Connectors

DUCT CONNECTOR DIMENSIONS

DUCT CONNECTOR PART NUMBER	DUCT CONNECTOR DEPTH
7990-6061	6-1-2" (16.5 cm)
7990-6071	7-1/2" (19.0 cm)
7990-6081	8-1/2" (21.6 cm)

Duct Connector Dimensions for MG9S/MM9E-Series Gas Furnaces:

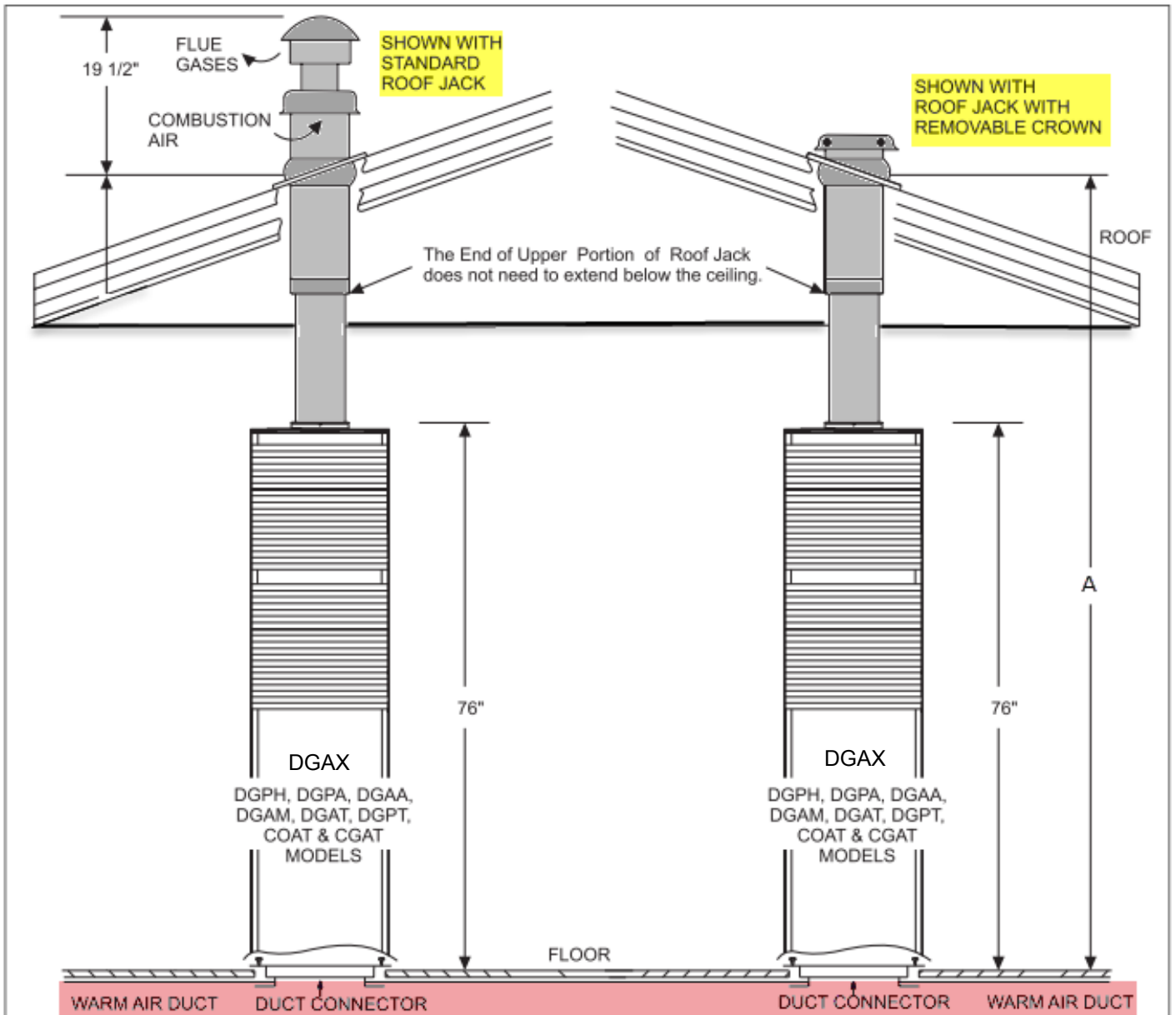


Finger-Tab Duct Connectors

DUCT CONNECTOR PART NUMBER	DUCT CONNECTOR DEPTH
9155-6211	1"
9155-6261	6-1/2"
9155-6281	8-1/2"
9155-6301	10-1/2"

Roof Jack Sizes and Styles:

SWIVEL FLASHING ADJUSTS FROM 0/12 TO 5/12 PITCH	INSTALLATION DIMENSIONS	
		"A" ADJUSTABLE HEIGHT 76" CASING
STANDARD ROOF JACK		
4000-7101/C		86" to 95"
4000-7121/C		91" to 102"
4000-7141/C		99" to 120"
4084-7141*		
4000-7151/C		106" to 132"
4084-7151*		
ROOF JACK WITH REMOVABLE CROWN		
4000-8161/C		101" to 117"
4000-8181/C		115" to 145"



DGAA/DGAX-Series Gas Furnace Orifice Information (one orifice per furnace):

NOTE: Part Numbers of orifices will always begin with an "S1-" prefix – for instance: **S1-9951-1361**

NATURAL GAS													
Elevation Feet	56,000 — Input				70,000 — Input			77,000 — Input			90,000 — Input		
	Meters	Orifice Dia.	Drill Size	Part #	Orifice Dia.	Drill Size	Part #	Orifice Dia.	Drill Size	Part #	Orifice Dia.	Drill Size	Part #
Sea Level		0.136	29	9951-1361	0.154	23	9951-1541	0.161	20	9951-1611	0.180	15	9951-1801
2,000	618	0.136	29	9951-1361	0.149	25	9951-1491	0.157	22	9951-1571	0.177	16	9951-1771
3,000	914	0.128	30	9951-1281	0.149	25	9951-1491	0.157	22	9951-1571	0.173	17	9951-1731
4,000	1219	0.128	30	9951-1281	0.147	26	9951-1471	0.154	23	9951-1541	0.173	17	9951-1731
5,000	1524	0.128	30	9951-1281	0.144	27	9951-1441	0.152	24	9951-1521	0.169	18	9951-1691
6,000	1829	0.128	30	9951-1281	0.144	27	9951-1441	0.149	25	9951-1491	0.166	19	9951-1661
7,000	2134	0.120	31	9951-1201	0.140	28	9951-1401	0.147	26	9951-1471	0.161	20	9951-1611
8,000	2438	0.120	31	9951-1201	0.136	29	9951-1361	0.144	27	9951-1441	0.161	20	9951-1611
9,000	2743	0.120	31	9951-1201	0.136	29	9951-1361	0.140	28	9951-1401	0.157	22	9951-1571
10,000	3048	0.116	32	9951-1161	0.128	30	9951-1281	0.136	29	9951-1361	0.152	24	9951-1521

PROPANE GAS													
Elevation Feet	56,000 — Input				70,000 — Input			77,000 — Input			90,000 — Input		
	Meters	Orifice Dia.	Drill Size	Part #	Orifice Dia.	Drill Size	Part #	Orifice Dia.	Drill Size	Part #	Orifice Dia.	Drill Size	Part #
Sea Level		0.082	45	9951-0821	0.093	42	9951-0931	0.098	40	9951-0981	0.106	36	9951-1061
2,000	618	0.081	46	9951-0811	0.093	42	9951-0931	0.096	41	9951-0961	0.104	37	9951-1041
3,000	914	0.078	47	9951-0781	0.089	43	9951-0891	0.093	42	9951-0931	0.101	38	9951-1011
4,000	1219	0.078	47	9951-0781	0.089	43	9951-0891	0.093	42	9951-0931	0.101	38	9951-1011
5,000	1524	0.078	47	9951-0781	0.089	43	9951-0891	0.093	42	9951-0931	0.099	39	9951-0991
6,000	1829	0.076	48	9951-0761	0.086	44	9951-0861	0.089	43	9951-0891	0.098	40	9951-0981
7,000	2134	0.076	48	9951-0761	0.086	44	9951-0861	0.089	43	9951-0891	0.096	41	9951-0961
8,000	2438	0.073	49	9951-0731	0.082	45	9951-0821	0.086	44	9951-0861	0.096	41	9951-0961
9,000	2743	0.073	49	9951-0731	0.081	46	9951-0811	0.086	44	9951-0861	0.093	42	9951-0931
10,000	3048	0.070	50	9951-0700	0.078	47	9951-0781	0.082	45	9951-0821	0.089	43	9951-0891

MG9S/MM9E-Series Gas Furnace Orifice Information (multiple orifices per furnace):

Natural Gas		
Furnace Model	# of Burners	Part Number
MG9S060B12MP11	3	S1-02921182245
MG9S080B12MP11	4	S1-02921182245
MG9S080C16MP11	4	S1-02921182245
MG9S100C16MP11	5	S1-02921182245
MG9S100C20MP11	5	S1-02921182245
MM9E060B12MP11	3	S1-02921182245
MM9E080B12MP11	4	S1-02921182245
MM9E080C16MP11	4	S1-02921182245
MM9E080C20MP11	5	S1-02921182245
MM9E100C16MP11	5	S1-02921182245

Propane Gas		
Furnace Model	# of Burners	Part Number
MG9S060B12MP11	3	S1-02921182255
MG9S080B12MP11	4	S1-02921182255
MG9S080C16MP11	4	S1-02921182255
MG9S100C16MP11	5	S1-02921182255
MG9S100C20MP11	5	S1-02921182255
MM9E060B12MP11	3	S1-02921182255
MM9E080B12MP11	4	S1-02921182255
MM9E080C16MP11	4	S1-02921182255
MM9E080C20MP11	5	S1-02921182255
MM9E100C16MP11	5	S1-02921182255

MG9S/MM9E-Series High-Altitude (above 5000' elevation) Pressure Switches:

MM9E060 = S1-1PS3306 MM9E080 = S1-1PS3307 MM9E100 = S1-1PS3302