



Owner's Manual & Installation Manual

Casements

CD-81R01
CD-101R01

IMPORTANT NOTE:



Before using your air conditioner, please read
this manual carefully and keep it for future reference.

CONTENTS

| | |
|----------------------------------|-------|
| Safety precautions | 3 |
| Installation instructions | |
| What is in the box | 6 |
| Before you get started | 7 |
| Installation overview | 7 |
| Installation operation | 7 |
| Operation instructions | |
| Get to know your AC | 21-22 |
| Care and cleaning | 23 |
| Troubleshooting | 23-24 |

Safety Precautions

Must read the warning message.

Inside you will find many helpful hints on how to use and maintain your air conditioner properly. Just a little preventive care on your part can save you a great deal of time and money over the life of your air conditioner. You'll find many answers to common problems in the chart of troubleshooting tips. If you review our chart of Troubleshooting Tips first, you may not need to call for service at all.

To prevent injury to the user or other people and property damage, the following instructions must be followed. Incorrect operation due to ignoring of instructions may cause harm or damage. The seriousness is classified by the following indications.

Explanation of Symbols



Warning

The signal word indicates a hazard with a medium level of risk which, if not avoided, may result in death or serious injury.



Caution

The signal word indicates a hazard with a low degree of risk which, if not avoided, may result in minor or moderate injury.



Never do this

This signal indicates the prompt operation is prohibited., if not avoided, may result in Product damaged or injury.



Always do this

This signal means that the operation can be performed.

WARNING

- Plug in power plug properly. Otherwise, it may cause electric shock or fire due to excess heat generation. Do not operate or stop the unit by inserting or pulling out the power plug. It may cause electric shock or fire due to heat generation. Do not damage or use an unspecified power cord. It may cause electric shock or fire. If the power cord is damaged, it must be replaced by the manufacturer or an authorised service centre or a similarly qualified person in order to avoid a hazard.
- Always install circuit breaker and a dedicated power circuit. Incorrect installation may cause fire and electric shock. Do not operate with wet hands or in damp environment. It may cause electric shock. Do not direct airflow at room occupants only. This could damage your health.
- Always ensure effective grounding. Incorrect grounding may cause electric shock. Do not allow water to run into electric parts. It may cause failure of machine or electric shock. Do not modify power cord length or share the outlet with other appliances. It may cause electric shock or fire due to heat generation.
- Unplug the unit if strange sounds, smell, or smoke comes from it. It may cause fire and electric shock. Do not use the socket if it is loose or damaged. It may cause fire and electric shock. Do not open the unit during operation. It may cause electric shock.
- Keep firearms away. It may cause fire. Do not use the power cord close to heating appliances. It may cause fire and electric shock. Do not use the power cord near flammable gas or combustibles, such as gasoline, benzene, thinner, etc. It may cause an explosion or fire.
- Ventilate room before operating air conditioner if there is a gas leakage from another appliance. It may cause explosion, fire and, burns. Do not disassemble or modify unit. It may cause failure and electric shock.

CAUTION

- When the air filter is to be removed, do not touch the metal parts of the unit. It may cause an injury. Ventilate the room well when used together with a stove, etc. An oxygen shortage may occur.
- Do not use strong detergent such as wax or thinner but use a soft cloth. Appearance may be deteriorated due to change of product color or scratching of its surface. Do not clean the air conditioner with water. Water may enter the unit and degrade the insulation. It may cause an electric shock. Do not use for special purposes. Do not use this air conditioner to preserve precision devices, food, pets, plants, and art objects. It may cause deterioration of quality, etc.
- Stop operation and close the window in storm or hurricane. Operation with windows opened may cause wetting of indoor and soaking of household furniture. When the unit is to be cleaned, switch off, and turn off the circuit breaker.
- Do not clean unit when power is on as it may cause fire and electric shock, it may cause an injury.
- Always insert the filters securely. It can be caused failure if operated without filters. Please clean filter once every two weeks.

⚠ CAUTION

- Hold the plug by the head of the power plug when taking it out. It may cause electric shock and damage. Turn off the main power switch when not using the unit for a long time. It may cause failure of product or fire.
 - Do not place obstacles around air-inlets or inside of air-outlet. It may cause failure of appliance or accident. Do not place heavy object on the power cord and ensure that the cord is not compressed. There is danger of fire or electric shock. Don't drink water drained from air conditioner. It contains contaminants and could make you sick.
 - Use caution when unpacking and installing. Sharp edges could cause injury.
 - If water enters the unit, turn the unit off at the power outlet and switch off the circuit breaker. Isolate supply by taking the power-plug out and contact a qualified service technician.
 - This appliance is not intended for use by persons(including children) with reduced physical ,sensory or mental capabilities or lack of experience and knowledge,
- unless they have been given super vision or instruction concerning use of the appliance by a person responsible for their safety.
 - Children should be supervised to ensure that they do not play with the appliance.
 - If the supply cord is damaged, it must be replaced by the manufacturer, its service agent or similarly qualified persons in order to avoid a hazard.
 - The appliance shall be installed in accordance with national wiring regulations.
 - Installation must be performed in accordance with the requirement of NEC and CEC by authorized personnel only.
 - Do not operate your air conditioner in a wet room such as a bathroom or laundry room.
 - The appliance with electric heater shall have at least 1 meter space to the combustible materials.
 - Contact the authorised service technician for repair or maintenance of this unit.
 - Contact the authorised installer for installation of this unit.

💡 NOTE

This air conditioner is designed to be operated under the following conditions:

| | | |
|-------------------|---------------|---|
| Cooling operation | Outdoor temp: | 18-43°C/64-109°F (18-52°C/64-125°F for special tropical models) |
| | Indoor temp: | 17-32°C/62-90°F |
| Heating operation | Outdoor temp: | -5-24°C/23-76°F |
| | Indoor temp: | 0-27°C/32-80°F |

Note:Performance may be reduced outside of these operating temperatures.

Operation of Current Device

The power supply cord contains a current device that senses damage to the power cord. To test your power supply cord do the following:

- Plug in the Air Conditioner.
- The power supply cord will have TWO buttons on the plug head. Press the TEST button, you will notice a click as the RESET button pops out.
- Press the RESET button again, you will notice a click as the button engages.
- The power supply cord is now supplying electricity to the unit. (On some products this is also indicated by a light on the plug head).

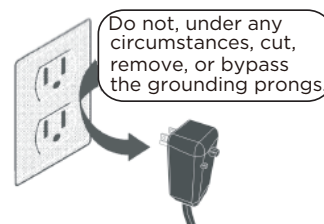
💡 NOTE

- The power supply cord with this air conditioner contains a current detection device designed to reduce the risk of fire.

In the event that the power cord is damaged, it cannot be repaired - it must be replaced with a cord from the product manufacturer.

- Do not use this device to turn the unit on or off.
- Always make sure the RESET button is pushed in for correct operation.
- The power supply cord must be replaced if it fails to reset when either the TEST button is pushed or if it cannot be reset. A new one can be obtained from the product manufacturer.

Grounding type wall receptacle



Power supply cord with 3-prong grounding plug and current detection device.

⚠ WARNING

Electrical Information

The complete electrical rating of your new room air conditioner is stated on the serial plate. Refer to the rating when checking the electrical requirements.

- Be sure the air conditioner is properly grounded. To minimize shock and fire hazards, proper grounding is important. The power cord is equipped with a three-prong grounding plug for protection against shock hazards.
- Your air conditioner must be used in a properly grounded wall receptacle. If the wall receptacle you intend to use is not adequately grounded or protected by a time delay fuse or circuit breaker, have a qualified electrician install the proper receptacle. Ensure the receptacle is accessible after the unit installation.
- Do not run air conditioner without side protective cover in place. This could result in mechanical damage within the air conditioner.
- Do not use an extension cord or an adapter plug.

Avoid fire hazard or electric shock. Do not use an extension cord or an adapter plug. Do not remove any prongs from the power cord.

For Your Safety

Do not store or use gasoline or other flammable vapors and liquids in the vicinity of this or any other appliance.

Prevent Accidents

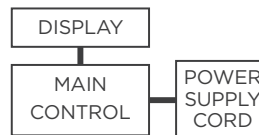
To reduce the risk of fire, electrical shock, or injury to persons when using your air conditioner, follow basic precautions, including the following:

- Be sure the electrical service is adequate for the model you have chosen. This information can be found on the serial plate, which is located on the side of the cabinet and behind the grille.
- If the air conditioner is to be installed in a window, you will probably want to clean both sides of the glass first. If the window is a triple-track type it has a screen panel included, remove the screen completely before installation.
- Be sure the air conditioner has been securely and correctly installed according to the installation instructions in this manual. Save this manual for possible future use in removing or installing this unit. When handling the air conditioner, be careful to avoid cuts from sharp metal fins on front and rear coils.

Electronic Work



WARNING:
BEFORE PERFORMING ANY ELECTRICAL OR WIRING WORK, TURN OFF THE MAIN POWER TO THE SYSTEM.



NOTE: The photographs are for explanation purpose only. Your machine may be slightly different. The actual shape shall prevail.

⚠ WARNING

Electrical Requirements

Electrical Shock and Personal Injury Hazard
Electrical ground is required on this appliance.

DO NOT ground to a gas line.

If cold water pipe is interrupted by plastic, non-metallic gaskets, or other insulating materials,

DO NOT use for grounding.

Check with a qualified electrician if you are in doubt as to whether the appliance is properly grounded.

DO NOT modify power supply cord plug. If it does not fit outlet, have a proper outlet installed by a qualified electrician.

DO NOT have a fuse in the neutral or grounding circuit. A fuse in the neutral, or grounding circuit could result in an electrical shock.

DO NOT use an extension cord with this appliance.

Failure to follow these instructions could result in electrical shock, serious injury, or death.

Observe all local governing codes and ordinances.

Do not, under any circumstances, remove the power supply cord grounding prong.

NOTE: If codes permit, and a separate grounding wire is used; it is recommended that a qualified electrician determine that the grounding path is adequate and not interrupted by plastic, nonmetallic gaskets, or other insulating materials.

Receptacle wiring

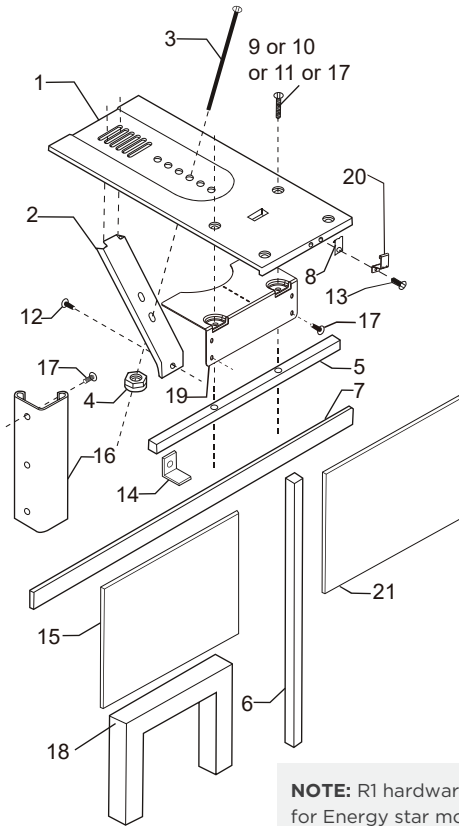
Receptacle wiring should be a minimum of 14 gauge. Use copper wire only. It is your responsibility to provide proper and adequate receptacle wiring, installed by a qualified electrician.

Electrical requirements

A time delay fuse or time delay circuit breaker is also required. A separate circuit, serving only this appliance, MUST be provided.

What is in the Box.

Package content



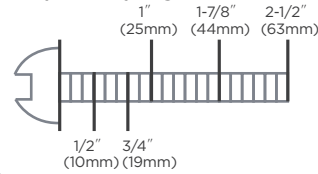
NOTE: R1 hardware is only for Energy star models.

Installation kit contents:

| No. | Hardware | Qty. |
|-----|------------------------------|------|
| 1 | Platform | 1 |
| 2 | Support brace | 1 |
| 3 | Adjustment bolt | 1 |
| 4 | Hex flange nut - 1/4 | 1 |
| 5 | Track seal | 1 |
| 6 | Side channel seal | 1 |
| 7 | Window sash seal | 1 |
| 8 | Safety bracket | 1 |
| 9 | Screw #10 x 2-1/2" flat-head | 2 |
| 10 | Screw #10 x 1-3/4" flat-head | 2 |
| 11 | Screw #10 x 1" pan-head | 2 |

| No. | Hardware | Qty. |
|-----|---|------|
| 12 | Screw #8 x 3/4" pan-head | 6 |
| 13 | Screw #8 x 3/4" self-threading | 7 |
| 14 | Window locking bracket | 1 |
| 15 | Plastic window panel | 1 |
| 16 | Side channel | 2 |
| 17 | Screw #8 x 3/8" truss head | 10 |
| 18 | Panel frame/seal assembly | 1 |
| 19 | Support bracket (For Vinyl-Clad windows) | 1 |
| 20 | Safety bracket (For Vinyl-Clad windows) | 1 |
| 21 | R1 hardware | 1 |

Identify Screws By Length



NOTE

Use scale below to measure length of your screws. The scale will come in handy when separating screws for installation.

Prepare the following tools



Gloves



Screwdriver



Pencil



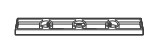
Scissors&Knife



Drill



Ruler or tape measure



Level

*Not Included

Before you get started.

Preparations before installation



The installation must be carried out in strict accordance with the instructions in this manual.



Installing your AC should take about 60 minutes.

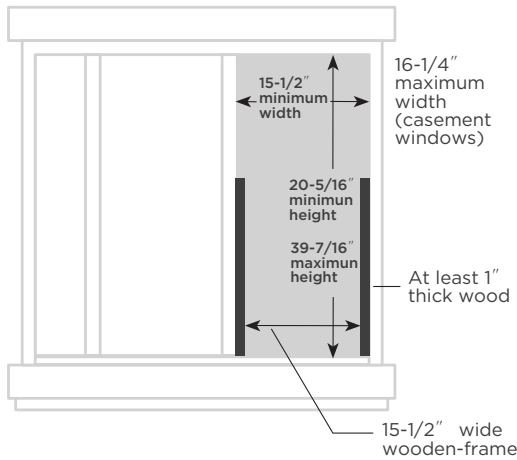


We recommend doing this with a helper.



We're here if you need us, please contact your local distributor for assistance.

INSTALLATION POSITION REQUIREMENTS



For wood-frame casement windows:

- 15-1/2 inches minimum width; 16-1/4" maximum width (for casement windows)
- 21-1/4" minimum height (with window panel retainer); 20-5/16 inches minimum height (window panel retainer removed); 39-7/16 inches maximum height
- It may be necessary to construct a frame, using at least 1" thick wood, with a 15-1/2" wide opening.

For brick or cement building construction:

- It may be necessary to put a wood stool strip under AC, for mounting purpose.

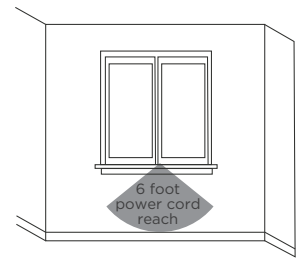
NOTE

Height measurement must be of a clear opening above mounting platform. In some cases, due to a variety of stop and track arrangements, the above dimensions may vary slightly. If necessary, installation can be made by alternating window jambs. (See Alternate Window Jamb Applications).

Choose the proper window location:

Choose a window that allows the cooled air to flow freely and directly into room(s) you wish to cool. Remember, it is difficult to move air around corners. Also, choose a window that is within 6 feet of an electrical outlet. (See Meeting Electrical Requirements / Receptacle wiring needs.)

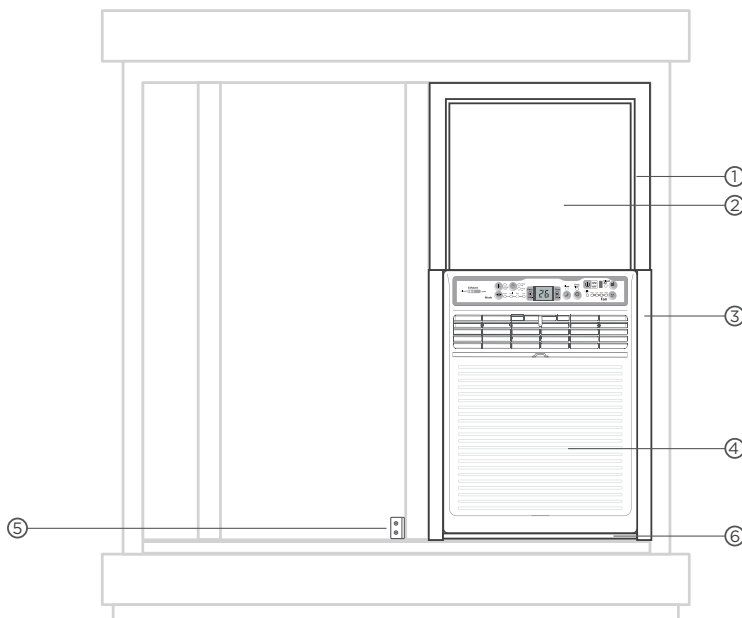
Do not use an extension cord.



Installation overview.

Installation Completion Display

Installing Unit in a Sliding Window.



- ① Panel frame/seal assembly x1
- ② Side channel x2
- ③ Side channel x2
- ④ Air Conditioner unit x1
- ⑤ Safety Lock x1
- ⑥ Window Sash Seal Foam x1

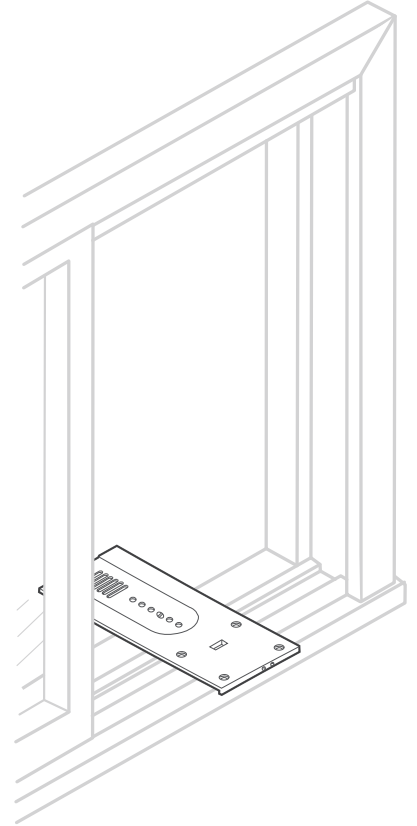
NOTE

Illustrations in this manual are for explanatory purposes. The actual shape of your indoor unit may be slightly different. The actual shape shall prevail.

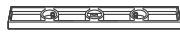
Step 1

Attach support brace.

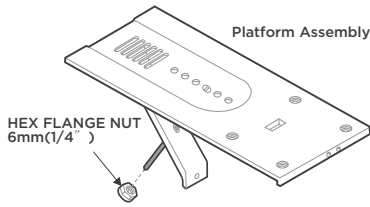
The sliding window



What you need.



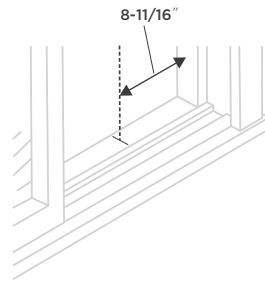
Attach support brace.



1

Attach support brace to platform.

Use adjustment bolt and hex flange nut to complete assembly. Choose slot and adjustment bolt hole locations that will create a 45 degree angle between platform and support brace. Try assembly in the window to determine if platform will rest properly, and allow proper slope(3/16" lower on outside).



2

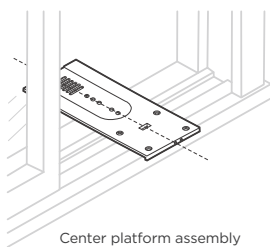
Measure, and mark the position of support brace.

Measure, and lightly mark a line 8-11/16" from window jamb.

NOTE

- If you are planning to use a siding-protection board (see Step 5) on the outside of your house, hold board in place when testing assembly in window.
- If any sash stop protrudes more than 1" from the side window jambs, the 8-11/16" measurement must be increased accordingly. Screen and storm window frames may also require adjustments to the measurement.

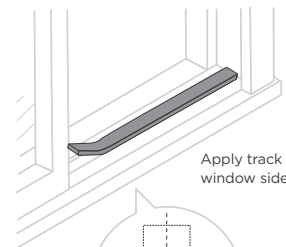
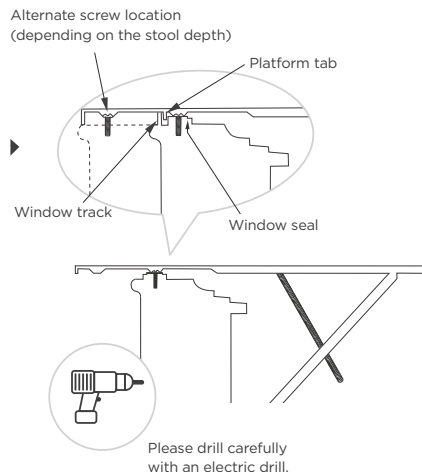
Attach support brace.



3

Center platform assembly on the window.

Center platform assembly on the line with inside platform tab pressed against inside edge of window track.



4

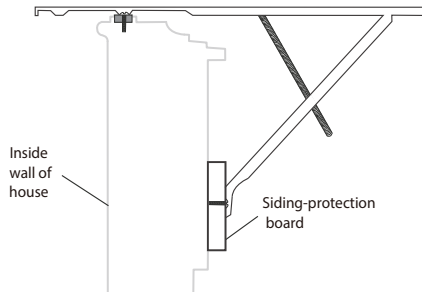
Apply seal to room side of window track seal.

Peel off protective backing from track seal. Apply seal to room side of window track seal. Center of seal strip should coincide with the line marked in Step 2. The two screw holes drilled in Step 3 should be directly above seal strip in the inner track.



CAUTION: Be sure wood stool or window track is securely attached to the building construction. Use longer screws in sub-framing if necessary.

Attach support brace.



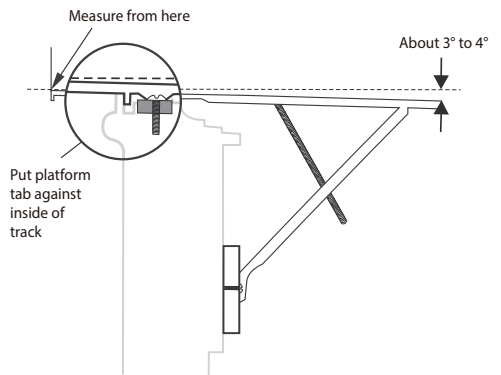
5

Securely attach a siding-protection board to the outdoor side of window.

Place platform assembly, with platform tab against inside of window track, and attach it to window jamb. Use appropriate length screws (Items 9-11 in Preparing For Installation).



NOTICE: Siding-protection board should be long enough to span 2 wall studs.



6

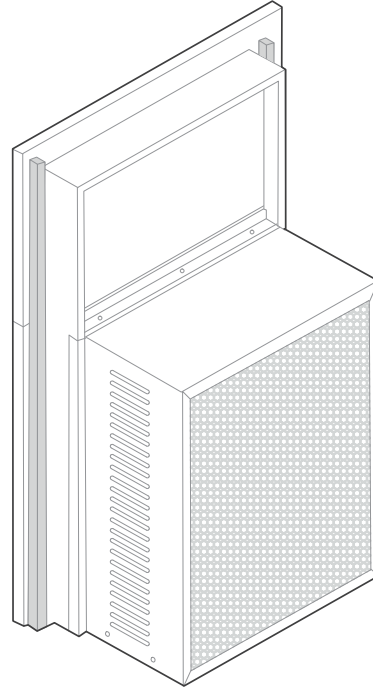
Adjust platform assembly.

Adjust the platform assembly so that the air conditioning Angle is about 3° to 4° lower than the horizontal Angle.

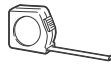
After proper installation, condensate should not drain from the overflow drain hole during normal use, correct the slope otherwise.

Step 2

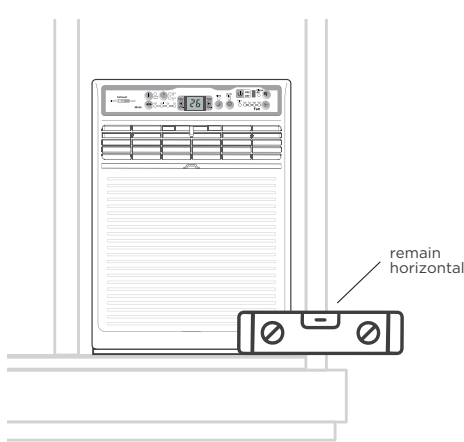
Install the panel frame and window panel.



What you need.



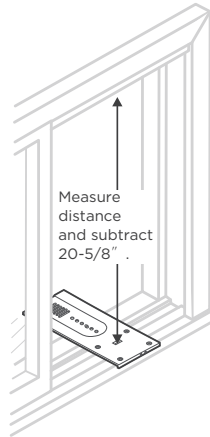
Install the panel frame and window panel.



1

Ensure your unit is level on the window.

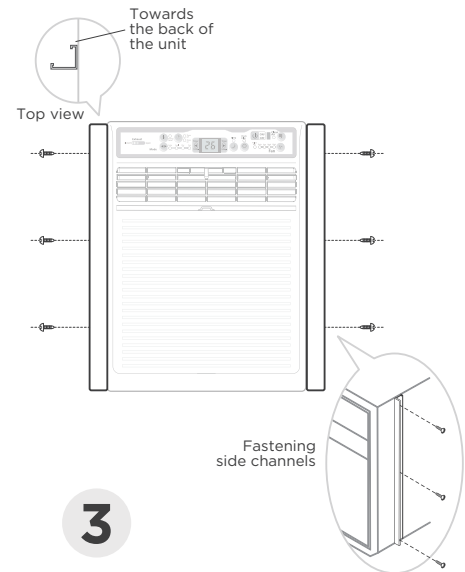
Level platform assembly from side-to-side. Also, make sure window track is level. Use leveling shims as necessary to ensure unit is level from side-to-side.



2

Measure height of window opening.

Measure height of window opening from top of platform assembly as shown right, Subtract 20-5/8 inches, Mark this measurement on plastic window panel, along the longer side.

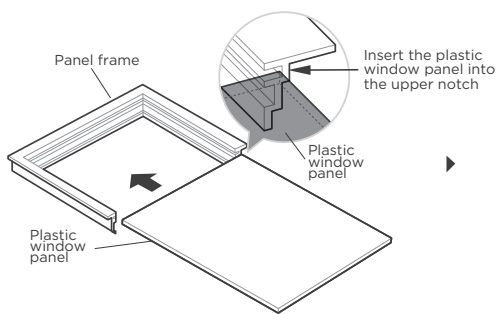


3

Fasten side channels.

Fasten side channels to the sides of the AC using 3 screws (Item 17) per channel. Start with first screw at top of channel. Make sure hook ends of channels face toward back of unit.

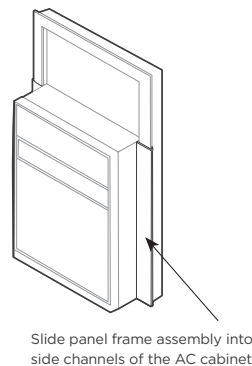
Install the panel frame and window panel.



4

Slide plastic window panel into panel frame.

Slide plastic window panel into panel frame, with the smooth side to the room. Slide panel frame assembly into side channels of the AC cabinet. Make sure plastic window panel is firmly enclosed on all sides by the retainer grooves.



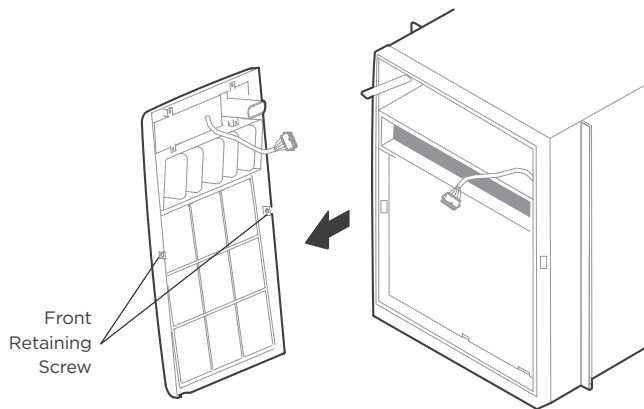
5

Paste channel seal on the back of the panel frame.

Cut side channel seal into 2 equal lengths. Remove protective backing and apply it to the rear side of cabinet side channels, starting just below panel frame assembly. Pinch off excess length so seal is even with the bottom of the cabinet side channel.

Apply weather seal to side channels just below edge of panel frame.

Install the panel frame and window panel.



6

To remove front(Prepare for the installation of Window).

1. Remove the two front retaining screws from the front frame.
2. Gently pull the front out and lift up to release it from the case.
3. Then release the coupler plugs.

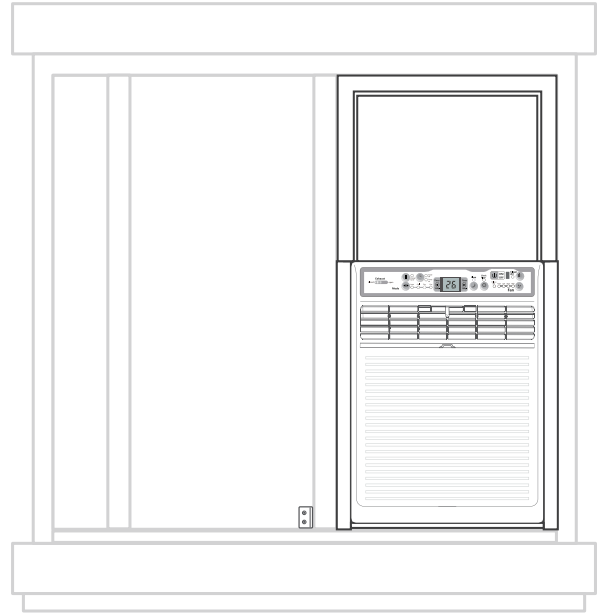
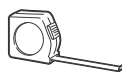


NOTICE:
DO NOT push or pull air direction louvers.

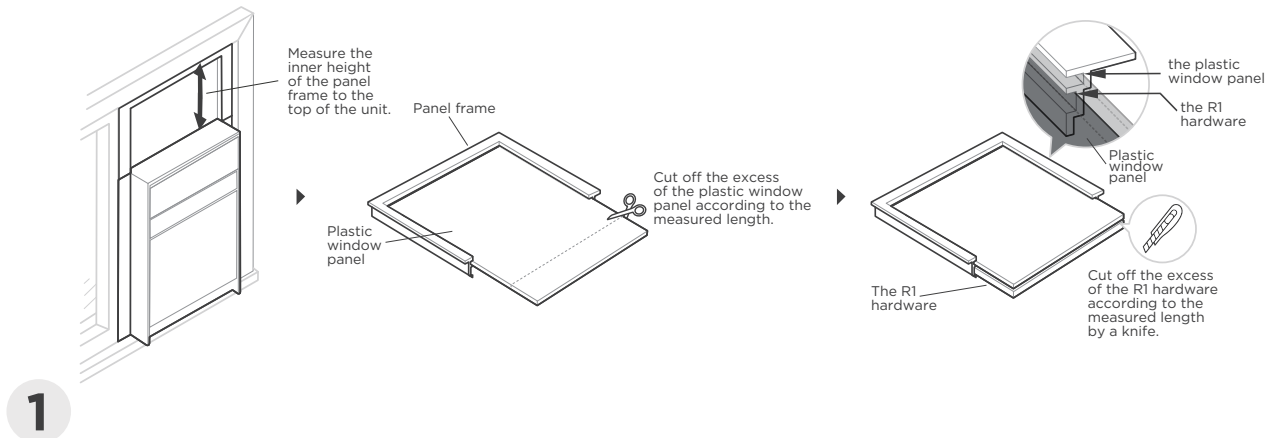
Step 3

Place AC in window opening.

What you need.

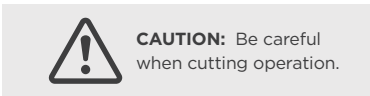


Place AC in window opening.



1

Install the panel and the R1 hardware to the panel frame.



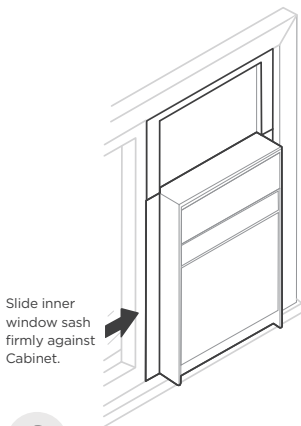
In order to minimize air leaks and ensure optimal insulation, it is necessary to install the included plastic window panel and R1 hardware (Only E-star model) to the panel frame. Follow the instructions above.

Step 1: After the unit is installed to the window, measure the inner height of the panel frame to the top of the unit.

Step 2: Remark a line on the provide R1 hardware according to the measured height in step 1, then cut the R1 insulation panel along the line.

Step 3: Remove the tape of the R1 hardware, then attach to the panel frame.

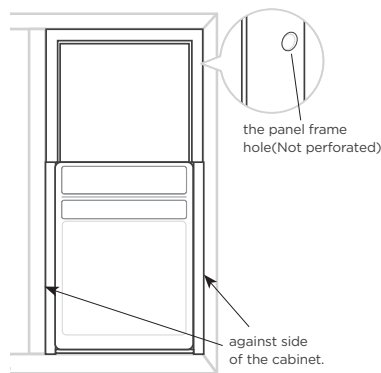
Place AC in window opening.



2

Put the AC on the window opening.

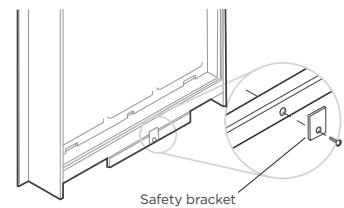
As shown above, it should sit on platform assembly so that window panel frame, and cabinet side channels are against top and side window jambs.



3

Slide inner window sash firmly.

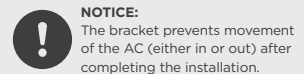
against side of the cabinet. Make sure not to peel the seal strips from the window track and cabinet side channels. If the panel frame does not fit snugly to the inner window sash, secure the panel frame to the sash with 3/4" screws, or 3/4" self-threading screws. Use the partially plugged holes in the panel frame. Drill 1/8" pilot holes for the screws.



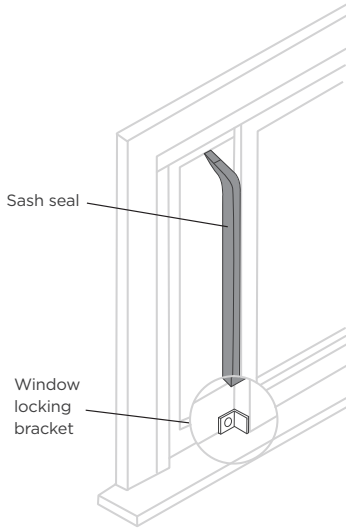
4

Install the safety bracket.

Hook the safety bracket over the base of the unit and fasten it to the front of the platform assembly. Use a 3/4" self-threading screw.



Place AC in window opening.



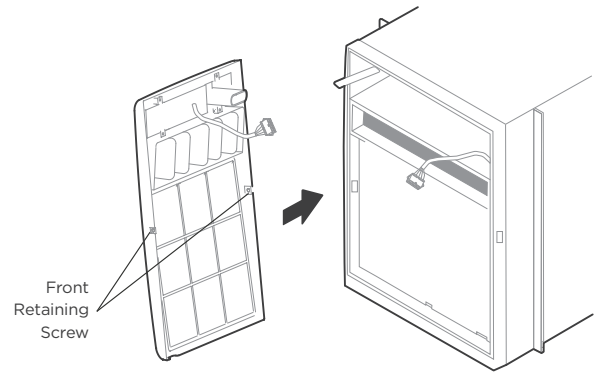
5

Stuff the foam seal strip/sash seal.

Stuff the foam seal strip/sash seal between the vertical sash and the window glass, as shown above.

Install the window locking bracket.

Use the window locking bracket to lock the inner window sash to the base of the outer window sash. Use one 3/4" screw, or 3/4" self-threading screw. (Drill 1/8" pilot hole).

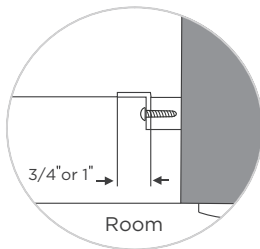


6

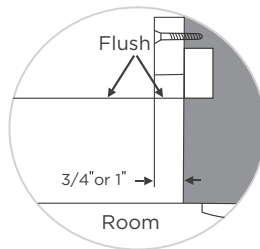
To replace the front.

First reconnect the coupler plugs, make the Exhaust control positioned through the front in the proper location. Then replace the retaining screws that hold the panel in place. Do not push or pull the front panel louvers.

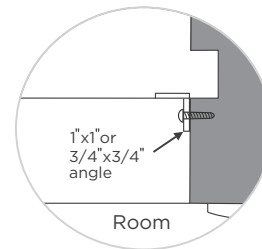
Precautions for installation of different window types.



A
Add angle to wood stop



B
Add wood as shown



C
Add 16- or 18-gauge angle

7

Alternate Window Jamb Applications

To install in windows having no flanges or wood stops on the top and side jambs, the channels and panel frame must fit against mating flange (or 1/16-inch max. thick angle) attached to the window jambs. Figure A shows this angle installed. Figures B & C show alternate treatments. On the sash side of the opening, the leading corner of the inner sash becomes the flange. You can purchase the angle strip locally.

Installation for different window types.

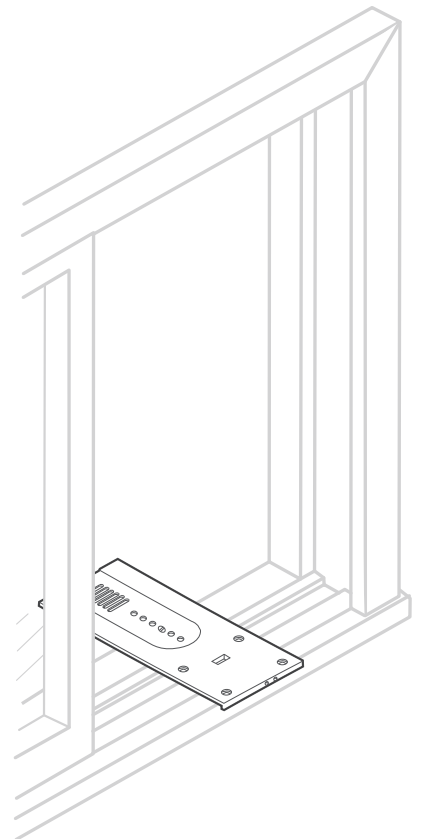
Vinyl-Clad window & casement window

NOTE

- Illustrations in this manual are for explanatory purposes. The actual shape of your indoor unit may be slightly different. The actual shape shall prevail.
- For casement window: to avoid crank handle and window clearance problems, the unit can be installed in a stationary sash section. However, the horizontal mullion and the 2 glass panels must be removed before installation.

Vinyl-Clad window

Attach support brace.

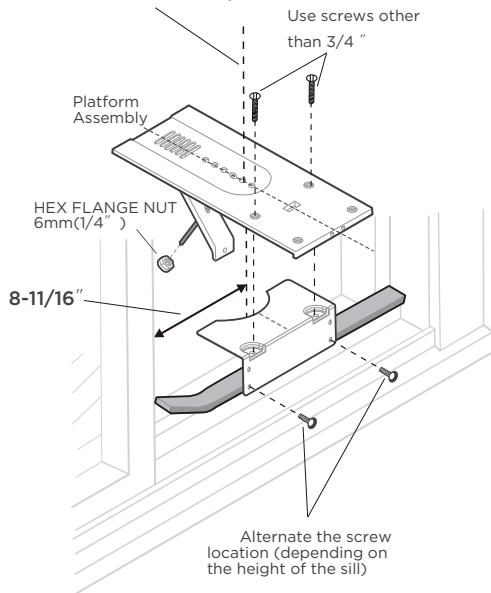


What you need.



Attach support brace(For vinyl-clad window).

Platform support bracket, support bracket and track seal must be centered with the centerline of the 8-11/16" marked window jamb.



1 Attach support brace to platform.

As shown on the side. Use adjustment bolt and hex flange nut to complete assembly. Choose slot and adjustment bolt hole locations that will create a 45 degree angle between platform and support brace. Try assembly in the window to determine if platform will rest properly, and allow proper slope (about 3° to 4° lower than the horizontal Angle).

2 Measure, and lightly mark a line 8-11/16" from window jamb.

3 Install the support bracket on the window track before you install the platform.

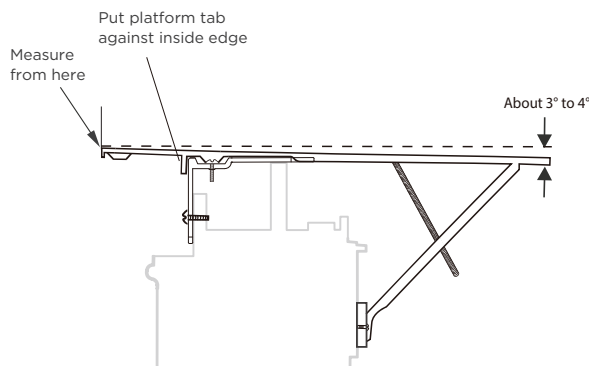
You need to install the support bracket on the window track before you install the platform. Follow the instructions below to do that.

1. Place the support bracket on the window sill as shown. Using the holes in the support bracket as a guide, mark and drill two 1/8" diameter holes.
2. Apply the track seal on the room side of window track.
3. After apply the track seal, use two 3/8" screw (item 17) to fixing the support bracket. Make sure the support bracket is level from side to side. Keep going after you finish fixing the support bracket.

4 Peel off protective backing from track seal.

Apply seal to room side of window track. Center of seal strip should coincide with the line marked in Step 2. The two screw holes drilled in Step 3 should be directly above seal strip in the inner track.

Attach support brace(For vinyl-clad window).



5 Securely attach a siding-protection board.

Securely attach a siding-protection board to side of house. **NOTICE:** Siding-protection board should be long enough to span 2 wall studs.

6 place platform assembly.

place platform assembly, with platform tab against inside edge of the support bracket, and use two 3/8" screw (item 17) to attach it to support bracket as shown above.

7 Adjust platform assembly.

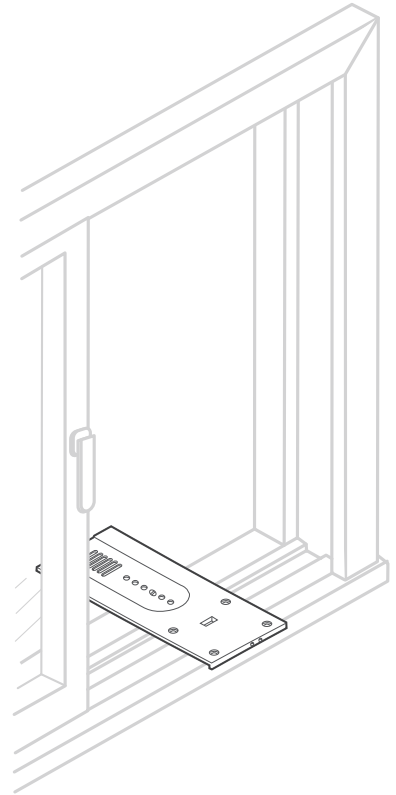
Adjust the platform assembly so that the air conditioning Angle is about 3° to 4° lower than the horizontal Angle. After proper installation, condensate should not drain from the overflow drain hole during normal use, correct the slope otherwise.

NOTE

- If you are planning to use a siding-protection board on the outside of your house, hold board in place when testing assembly in window.
- If any sash stop protrudes more than 1" from the side window jambs, the 8-11/16" measurement must be increased accordingly. Screen and storm window frames may also require adjustments to the measurement.

Casement window

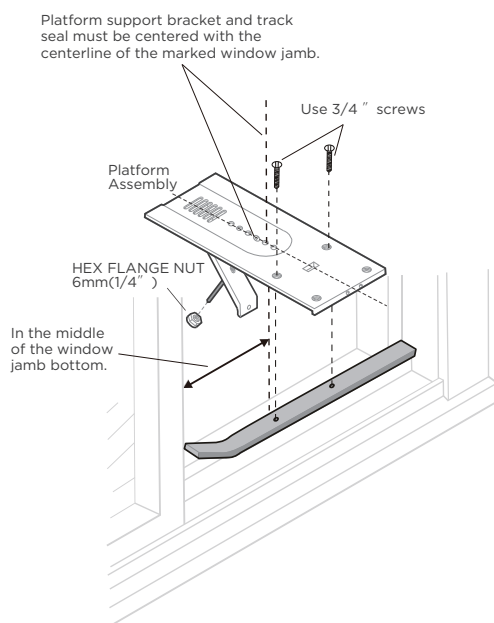
Attach support brace.



What you need.



Attach support brace (For casement window).



1 Attach support brace to platform.

Use the adjustment bolt and hex flange nut to complete the assembly. Choose the slot and adjustment bolt hole locations that will create a 45 degree angle between the platform and the support brace. Try the assembly in the window to determine if the platform will rest properly, and allow the proper slope (about 3° to 4° lower than the horizontal Angle).

2 Drill a 9/64" diameter pilot hole.

Drill a 9/64" diameter pilot hole in the window jamb an equal distance from each side of the jamb, and 3/16" up from the window sill. If the hole coincides with the window lever slot in the jamb bottom, an additional hole will have to be drilled through the platform edge and the window jamb to miss this slot.

3 Apply seal to room side of window track seal.

Peel off the protective backing from the track seal, and stick the seal to the window sill on the outside of the bottom jamb.

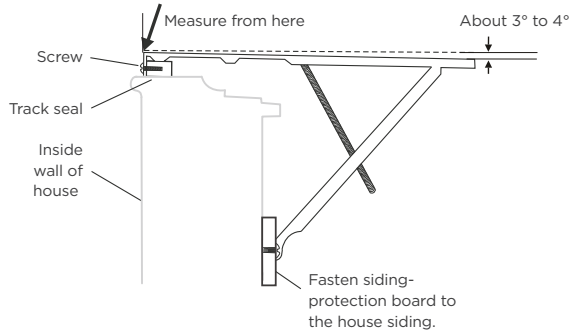
NOTE

Open the window the maximum amount to allow for clearance of the cabinet. The crank handle should be removed to allow the platform to be fastened to the jamb.

If the window cannot open far enough (more than 15-1/2 inches) for the cabinet to clear the window, remove the window entirely by drilling out the rivets. Bolts can serve as the pivots in the future.

If you are planning to use a siding-protection board (see Step 6) on the outside of your house, hold the board in place when testing the assembly in the window.

Attach support brace (For casement window).



4 Center platform assembly on the window.

Screw the platform assembly to the window jamb through the pilot hole you drilled in Step 2. Use a 3/4" self-threading screw.

5 Adjust platform assembly.

Adjust the platform assembly so that the air conditioning Angle is about 3° to 4° lower than the horizontal Angle. After proper installation, condensate should not drain from the overflow drain hole during normal use, correct the slope otherwise.

6 Securely attach a siding-protection board to the outdoor side of window.

Securely attach a siding-protection board to the side of the house where the platform assembly hit the house. The siding-protection board should be long enough to span 2 wall studs.



NOTICE:

For the following installation steps, please refer to the sliding window installation method for operation. Start from Step 2-Install the panel frame and window panel.

One more thing

Additional Notes

1

Your AC may look a little different.

All the illustrations in this manual are for explanation purpose only. Your air conditioner may be slightly different. The actual shape shall prevail.

2

Normal Sounds / Sound Performance

High Pitched Chatter

High efficiency compressors may have a high pitched chatter during the cooling cycle.

Sound of Rushing Air

At the front of the unit, you may hear the sound of rushing air being moved by the fan.

Gurgle/Hiss

"Gurgling or hissing" noise may be heard due to refrigerant passing through evaporator during normal operation.

Vibration

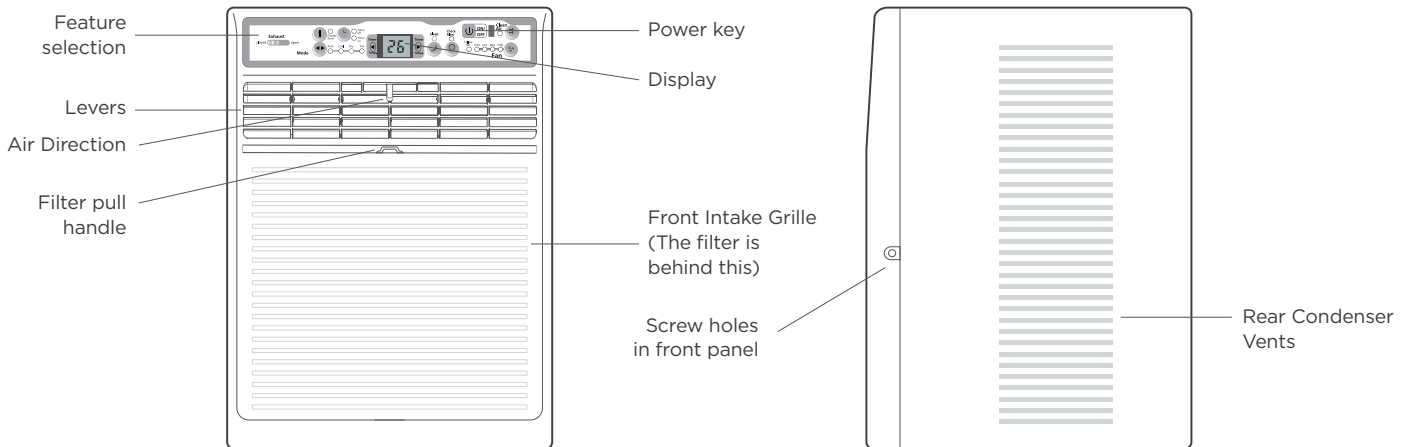
Unit may vibrate and make noise because of poor wall or window construction or incorrect installation.

Pinging or Switching

Droplets of water hitting condenser during normal operation may cause "pinging or switching" sounds.

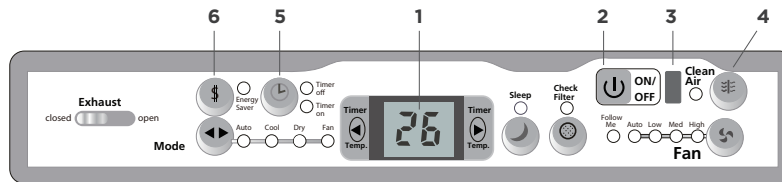
Get to know your AC.

AC unit overview



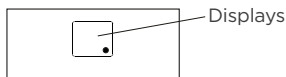
Get to know your AC.

Electronic control operating instructions



1. Display

Shows the set temperature in "°C" or "°F" and the Auto-timer settings. While on Fan only mode, it shows the room temperature. If the room temperature is too high or low, it will display "HI" or "LO".



Error codes:

AS-Room temperature sensor error-Unplug the unit and plug it back in .If error repeats, call for service.

ES or **•** -Evaporator temperature sensor error-Unplug the unit and plug it back in. If error repeats, call for service.

HS-Electric heating sensor error-Unplug the unit and plug it back in. If error repeats, call for service.

2. To turn unit ON or OFF

Press POWER button to turn unit on or off.

NOTE: The unit will initiate automatically the Energy Saver function under Cool, Dry, Auto (only Auto-Cooling and Auto-Fan) modes.

3. Remote Signal Receptor

Give signal feedback on your actions.

4. Clean Air Feature

Press Clean Air button,the ion generator is energized and will help to remove pollen and impurities from the air, and trap them in the filter.

5. Timer: auto start / stop feature

When the unit is on or off, first press Timer button, the TIMER ON indicator light illuminates. It indicates the Auto Start program is initiated.

When the time of TIMER ON is displayed, press the Timer button again, the TIMER OFF indicator light illuminates. It indicates the Auto Stop program is initiated.

Press or hold the UP or DOWN button to change the Auto time by 0.5 hour increments, up to 10 hours, then at 1 hour increments up to 24 hours. The control will count down the time remaining until start.

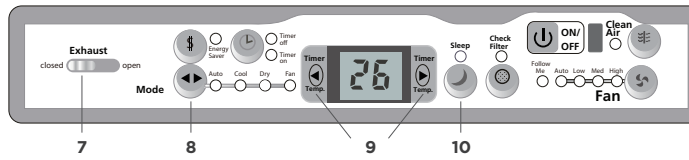
The selected time will register in 5 seconds, and the system will automatically revert back to display the previous temperature setting or room temperature when the unit is on. (when the unit is off, there is no display). Turning the unit ON or OFF at any time or adjusting the timer setting to 0.0 will cancel the Auto Start / Stop timed program.

6. Energy saver feature

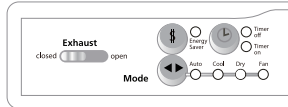
Press Energy saver button to initiate this function. This function is available on COOL, DRY, AUTO (only AUTO-COOLING and AUTO-FAN) modes. The fan will continue to run for 3 minutes after the compressor shuts off. The fan then cycles on for 2 minutes at 10 minute intervals until the room temperature is above the set temperature, at which time the compressor turns back on and Cooling Starts.

Get to know your AC.

Electronic control operating instructions



7. Exhaust control



This Exhaust Control allows the air conditioner to either circulate inside air (Closed) or exhaust air to the outside (Open).

The Closed position is used when maximum cooling is desired. It may also be used for air recirculation without cooling when the air conditioner is set in any FAN position.

The Open position removes stale air from the room and exhausts it to the outside. Fresh air is drawn in through normal passages in the home.

8. To select the operating mode

To choose operating mode, press Mode button. Each time you press the button, a mode is selected in a sequence that goes from Auto, Cool, Dry and Fan.

The indicator light beside will be illuminated and remained on once the mode is selected.

The unit will initiate automatically the Energy Saver function under Cool, Dry, Auto (only Auto-Cooling and Auto-Fan) modes.

To operate on Auto feature:

- When you set the air conditioner in AUTO mode, it will automatically select cooling, heating (cooling only models without), or fan only operation depending on what temperature you have selected and the room temperature.
- The air conditioner will control room temperature automatically round the temperature point set by you.
- In this mode, the fan speed cannot be adjusted, it starts automatically at a speed according to the room temperature.

To operate on Fan Only:

- Use this function only when cooling is not desired, such as for room air circulation or to exhaust stale air (on some models). Remember to open the vent during this function, but keep it closed during cooling for maximum cooling efficiency. You can choose any fan speed you prefer.

- During this function, the display will show the actual room temperature, not the set temperature as in the cooling mode.

- In Fan only mode, the temperature is not adjusted.

To operate on Dry mode:

- In this mode, the air conditioner will generally operate in the form of a dehumidifier. Since the conditioned space is a closed or sealed area, some degree of cooling will continue.

9. To change temperature setting

Press \uparrow/\downarrow UP/DOWN button to change temperature setting.

NOTE: Press or hold either UP or DOWN button until the desired temperature is seen on the display. This temperature will be automatically maintained anywhere between 62° F(17°C) and 86 °F(30°C).

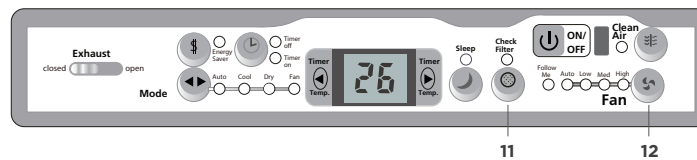
If you want the display to read the actual room temperature, see "To Operate on Fan Only" section.

10. Sleep feature

Press Sleep button to initiate the sleep mode. In this mode the selected temperature will increase by 2°F/1(or 2) °C 30 minutes after the mode is selected. The temperature will then increase by another 2°F/1 (or 2)°C after an additional 30minutes. This new temperature will be maintained for 6 hours before it returns to the originally selected temperature.

Get to know your AC.

Electronic control operating instructions & Air directional louvers operation



This ends the Sleep mode and the unit will continue to operate as originally programmed. The Sleep mode program can be cancelled at any time during operation by pressing the Sleep button again.

11. Check filter feature

Press Check filter button to initiate this feature. This feature is a reminder to clean the Air Filter for more efficient operation. The LED (light) will illuminate after 250 hours of operation. To reset after cleaning the filter, press the Check Filter button and the light will go off.

12. To adjust fan speeds

Press to select the Fan Speed in four steps-Auto, Low, Med or High. Each time the button is pressed, the fan speed mode is shifted.

13. Follow me feature



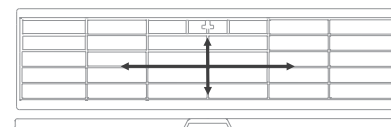
This feature can be activated from the remote control ONLY. The remote control serves as a remote thermostat allowing for the precise temperature control at its location.

To activate the Follow Me feature, point the remote control towards the unit and press the Follow Me button. The remote display is actual temperature at its location. The remote control will send this signal to the air conditioner every 3 minutes interval until press the Follow Me button again. If the unit does not receive the Follow Me signal during any 7 minutes interval, the unit will beep to indicate the Follow Me mode has ended.



NOTICE:

This control panel is based on the typical model. Not all the functions describing in this manual are available for all the models. The machine you purchased may be slightly different.



Air directional louvers

The 4-Way air directional louvers allow you to direct air flow up or horizontal, left or right throughout the room as needed. To adjust the air directional louvers side-to-side, use the center handle as you move it side-to-side.

Additional Things you should know

Now that you have mastered the operating procedure, here are more features in your control that you should become familiar with.

- The Cool circuit has an automatic 3 minute time delayed start if the unit is turned off and on quickly. This prevents overheating of the compressor and possible circuit breaker tripping. The fan will continue to run during this time.
- The control is capable of displaying temperature in degrees Fahrenheit or degrees Celsius. To convert from one to the other, press and hold the Left and Right Temp/Timer buttons at the same time, for 3 seconds.

Cleaning & maintenance

How to clean & maintenance your AC.

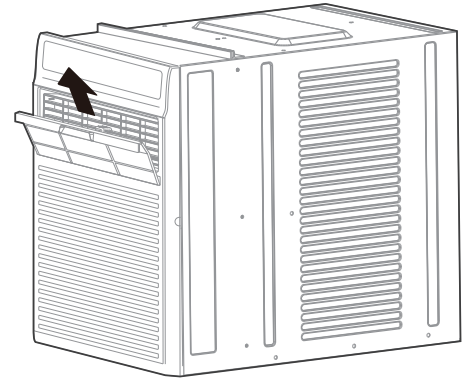
Air Filter & Cabinet Cleaning

The air filter should be checked at least once a month to see if cleaning is necessary. Trapped particles in the filter can build up and cause an accumulation of frost on the cooling coils.

- Take the filter by the center and pull up and out. Wash the filter using liquid dishwashing detergent and warm water. Rinse filter thoroughly.
- Gently shake excess water from the filter. Be sure the filter is thoroughly dry before replacing. Or, instead of washing you may vacuum the filter clean.

Note: Never use hot water over 40°C(104°F) to clean the air filter. Never attempt to operate the unit without the air filter. To prevent rust or electrical connections from being damaged, store air conditioner in an upright position and in a dry place.

- Be sure to unplug the air conditioner to prevent shock or fire hazard. The cabinet and front may be dusted with an oil-free cloth or washed with a cloth dampened in a solution of warm water and mild liquid dishwashing detergent. Rinse thoroughly and wipe dry.
- Never use harsh cleaners, wax or polish on the cabinet front.
- Be sure to wring excess water from the cloth before wiping around the controls. Excess water in or around the controls may cause damage to the air conditioner.
- Plug in air conditioner.
- Save Carton and these Installation Instructions for future reference. The carton is the best way to store unit during winter, or when not in use. When handling unit, be careful to avoid cuts from sharp metal edges and aluminum fins on front and rear coils.



CAUTION: Clean your air conditioner occasionally to keep it looking new. **Be sure to unplug the unit before cleaning to prevent shock or fire hazards.**

CAUTION: If you plan to store the air conditioner during the winter, remove it carefully from the window according to the installation instructions. Cover it with plastic or return it to the original carton.

TROUBLESHOOTING

Problem Solving

Before calling for service, review this list. It may save your time and expense. This list includes common occurrences that are not the result of defective workman-ship or materials in this appliance.

| Problem | Solution |
|--|---|
| Air conditioner does not start. | Wall plug disconnected. Push plug firmly into wall outlet. |
| | House fuse blown or circuit breaker tripped. Replace fuse with time delay type or reset circuit breaker. |
| | Plug Current Device Tripped. Press the RESET button. |
| | Power is OFF. Turn power ON. |
| Air from unit does not feel cold enough. | Room temperature below 62°F(17°C). Cooling may not occur until room temperature rises above 62°F(17°C). |
| | Temperature sensing behind air filter element touching cold coil. Keep it from the cold coil. |
| | Set to a Lower temperature. |
| | Compressor stopped when changing modes. Wait for 3 minutes after set to the COOL mode. |
| Air conditioner cooling, but room is too warm- ice forming on cooling coil behind decorative front. | Outdoor temperature below 64°F(18°C). To defrost the coil, set FAN ONLY mode. |
| | Air filter may be dirty. Clean filter. Refer to Care and Cleaning section. To defrost, set to FAN ONLY mode. |
| | Thermostat set too cold for night-time cooling. To defrost the coil, set to FAN ONLY mode. Then, set temperature to a Higher setting. |

| Problem | Solution |
|---|--|
| Air conditioner cooling, but room is too warm- NO ice forming on cooling coil behind decorative front. | Dirty air filter- air restricted. Clean air filter. Refer to Care and Cleaning section. |
| | Temperature is set too High, set temperature to a Lower setting. |
| | Air directional louvers positioned improperly. Position louvers for better air distribution. |
| | Front of units is blocked by drapes, blinds, furniture, etc. - restricts air distribution. Clear blockage in front of unit. |
| | Doors, windows, registers, etc. Open- cold air escapes. Close doors, windows, registers. |
| | Unit recently turned on in hot room. Allow additional time to remove Stored heat from walls, ceiling, floor and furniture. |
| Air conditioner turns on and off rapidly | Dirty air filter- air restricted. Clean air filter. |
| | Outside temperature extremely hot. Set FAN speed to a Higher setting to bring air past cooling coils more frequently. |
| Noise when unit is cooling | Air movement sound. This is normal . If too loud, set to a slower FAN setting. |
| | Window vibration - poor installation. Refer to installation instructions or check with installer. |
| Water dripping OUTSIDE when unit is cooling. | Unit removing large quantity of moisture from humid room. This is normal during excessively humid days. |
| Remote Sensing Deactivating Prematurely (Only remote models) | Remote control not located within range. Place remote control within 20 feet and pointed in the general direction of the air conditioner unit. |
| | Remote control signal obstructed. Remove obstruction. |
| Room too cold | Set temperature too low. Increase set temperatur. |

The design and specifications are subject to change without prior notice for product improvement. Consult with the sales agency or manufacturer for details. Any updates to the manual will be uploaded to the service website, please check for the latest version.

LIMITED EXPRESS WARRANTY

Congratulations on purchasing your new HVAC equipment. It's been designed for long life and reliable service, and is backed by one of the strongest warranties in the industry. Your unit automatically qualifies for the warranty coverage listed below, providing you keep your proof of purchase (receipt) for the equipment and meet the warranty conditions.

LIMITED ONE (1) YEAR EXPRESS WARRANTY

Comfort-Aire warrants this Room Air Conditioner to be free from defects in workmanship and materials for normal use and maintenance for one (1) year from the date of purchase by the original consumer. This Express Limited Warranty applies only when the Room Air Conditioner is installed and operated per Comfort-Aire installation and operating instructions for normal use.

EXCEPTIONS

The Limited Express Warranty does not cover normal maintenance. Comfort-Aire recommends that regular inspection/maintenance be performed at least once a season. Additionally, labor charges, diagnostic charges, transportation charges for replacement of refrigerant or filters, and any other service calls/repairs are not covered by this Limited Warranty. It also does not cover any portion or component of the system that is not supplied by Comfort-Aire, regardless of the cause of failure of such portion or component.

CONDITIONS FOR WARRANTY COVERAGE

Unit must be operated according to Comfort-Aire operating instructions included with the unit and cannot have been subjected to accident, alteration, improper repair, neglect or misuse, or an act of God (such as a flood)

- Serial numbers and/or rating plate have not been altered or removed
- Performance cannot be impaired by use of any product not authorized by Comfort-Aire, or by any adjustments or adaptations to components
- Damage has not been a result of inadequate wiring or voltage conditions, use during brown-out conditions, or circuit interruptions
- Air flow around any section of the unit has not been restricted
- Unit remains in the original installation

DURATION OF WARRANTY & REGISTRATION

The warranty begins on the date of purchase by the original consumer. The consumer must retain a receipted bill of sale as proof of warranty period. Without this proof, the express warranty begins on the date of shipment from the factory.

REMEDY PROVIDED BY THE LIMITED EXPRESS WARRANTY

The sole remedy under the Limited Warranty is replacement of the defective unit. Labor to diagnose and replace the defective unit is not covered by this Limited Express Warranty. If for any reason the replacement product is no longer available during the warranty period, Comfort-Aire shall have the right to allow a credit in the amount of the current suggested retail price of the product instead of providing replacement.

LIMITATION OF LIABILITY

1. There are no other express or implied warranties. Comfort-Aire makes no warranty of merchantability. We do not warrant that the unit is suitable for any particular purpose or can be used in buildings or rooms of any particular size or condition except as specifically provided in this document. There are no other warranties, express or implied, which extend beyond the description in this document.
2. All warranties implied by law are limited in duration to the one-term of the warranty. **We will not be liable for any consequential or incidental damages caused by any defect in this unit.**
3. This warranty gives you specific legal rights and you may also have other rights which vary from state to state. Some states do not allow limitation on how long an implied warranty lasts or do not allow the exclusion or limitation of incidental or consequential damages, so the above limitations or exclusions may not apply to you.
4. No warranties are made for units sold outside the continental United States and Canada. Your distributor or final seller may provide a warranty on units sold outside these areas.
5. Comfort-Aire will not be liable for damages if our performance regarding warranty resolution is delayed by events beyond our control including accident, alteration, abuse, war, government restrictions, strikes, fire, flood, or other acts of God.

HOW TO SUBMIT A WARRANTY CLAIM

If you have a warranty claim, notify your installer or dealer promptly.



Please visit
www.heatcontroller.com
to register your new product

KEEP THIS INFORMATION AS A RECORD OF YOUR PURCHASE

PRODUCT IDENTIFICATION

Model Number

Serial Number

Date of Purchase

INSTALLATION

Installer Name (if used)

Phone Number/Contact Information

Date Installation Completed

Remember to retain your bill of sale as proof of warranty period.

This Page Left Intentionally Blank

This Page Left Intentionally Blank

Due to ongoing product improvements, specifications and dimensions are subject to change and correction without notice or incurring obligations. Determining the application and suitability for use of any product is the responsibility of the installer. Additionally, the installer is responsible for verifying dimensional data on the actual product prior to beginning any installation preparations.

Incentive and rebate programs have precise requirements as to product performance and certification. All products meet applicable regulations in effect on date of manufacture; however, certifications are not necessarily granted for the life of a product. Therefore, it is the responsibility of the applicant to determine whether a specific model qualifies for these incentive/rebate programs.



1900 Wellworth Avenue • Jackson, MI 49203 • 517-787-2100