
Comfort-Cire®

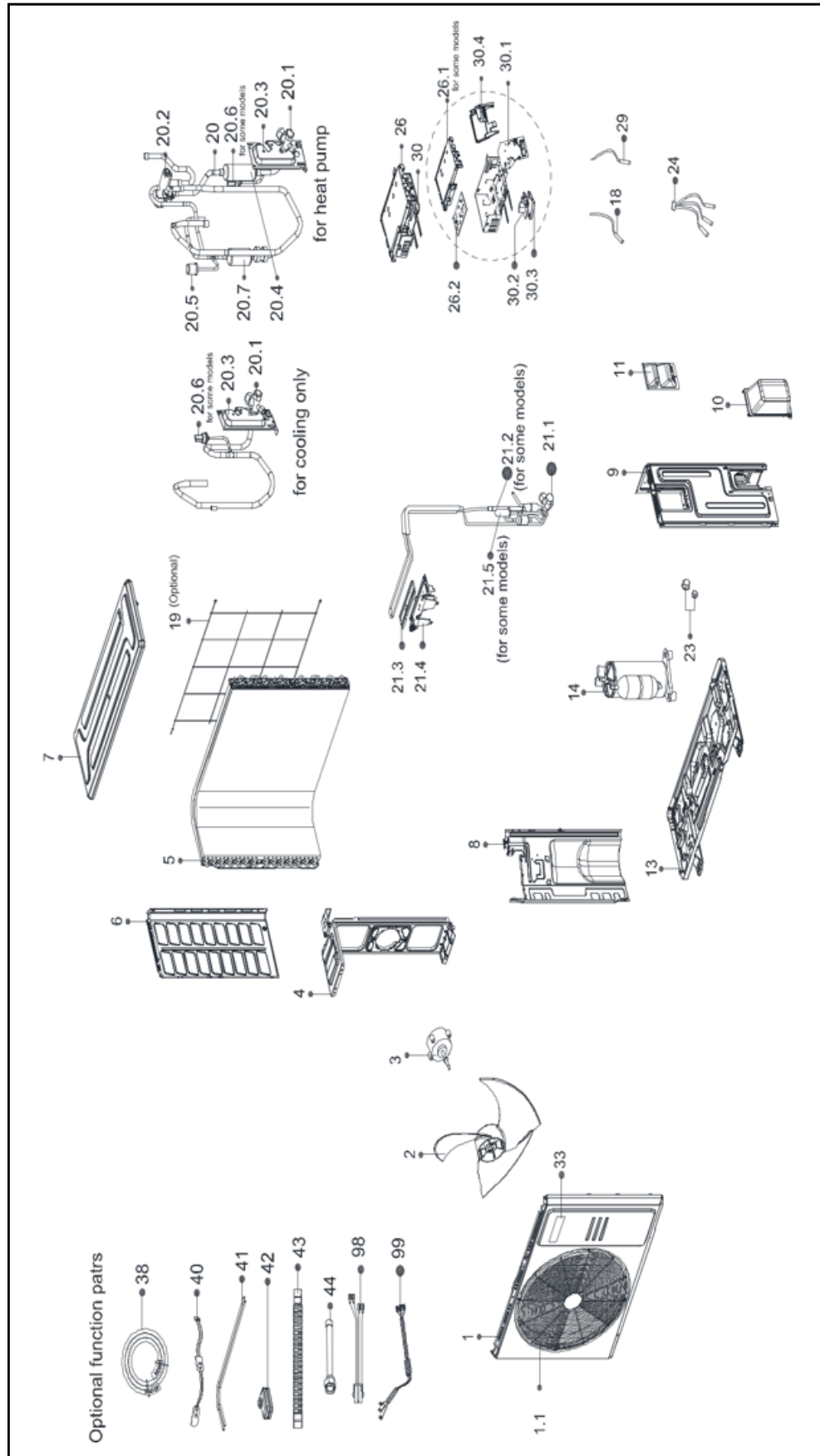
Century®

PARTS LIST

**Horizontal/Side Discharge
Condensing Units**

CMA1512SA

EXPLODED VIEW



REPLACEMENT PARTS

Location	Part Name	Quantity	Part No.
1	Front panel	1	12222000013468
1.1	Air outlet grille	1	12222000013469
2	Axial Flow Fan	1	12100105000841
3	Brushless DC Motor	1	11002015000366
4	Motor Bracket	1	12222000012371
5	Condenser Assembly	1	15822000012226
6	Left supporter	1	12222000013472
7	Top cover assembly	1	12222000013465
8	Partition Board Assembly	1	12222000013245
9	Right clapboard assembly	1	12222000013466
10	Water Collector	1	12122000007150
11	Big Handle Assembly	1	12222000010966
13	Chassis assembly	1	12222000014505
14	DC Inverter Rotary Compressor	1	11103020003919
18	Pipe Temperature Sensor	1	11201007000124
19	Rear Net	1	12222000013085
20	Gas valve assembly	1	15422000024278
20.1	Gas Valve	1	15500204000502
20.3	Valve Plate	1	12222200005738
20.6	Pressure sensor	1	11201008000773
21	Liquid valve assembly	1	15422000024295
21.1	Gas Valve	1	15500204000021
21.3	Radiator	1	11203803001176
21.4	U-Typed Support with Copper Pipe	1	12122000011478
23	Flare Nut	1	15500406000010
23	Flare Nut	1	15500406000003
24	Combination Sensor	1	11201011000188
26	Electronic control box subassembly	1	17222000041734
26.2	Outdoor main control board subassembly	1	17122000060280
29	Pipe Temperature Sensor	1	11201007003445
30	Inverter module electronic control box subassembly	1	17222000041735
30.1	Terminal Board Subassembly	1	17222000031639
30.2	Inverter module subassembly	1	17122000062633
30.3	Electronic installing box	1	12122000029482
30.4	Cover of electronic control box subassembly	1	12122000029483
32	Discharge pipe assembly	1	15122000032760
32.1	Pressure Controller	1	17400516000849
33	Trademark	1	16000201001228
38	Connecting flexible hose assembly	1	15111600A00285
40	Crankcase Electric Heating Strip	1	17402001000603
44	Evaporator connecting pipe subassembly	1	15123000013007
44	Evaporator connecting pipe subassembly	1	15123000012948
99	Compressor Wires Subassembly	1	17401203012697

Due to ongoing product improvements, specifications and dimensions are subject to change and correction without notice or incurring obligations. Determining the application and suitability for use of any product is the responsibility of the installer. Additionally, the installer is responsible for verifying dimensional data on the actual product prior to beginning any installation preparations.

Incentive and rebate programs have precise requirements as to product performance and certification. All products meet applicable regulations in effect on date of manufacture; however, certifications are not necessarily granted for the life of a product. Therefore, it is the responsibility of the applicant to determine whether a specific model qualifies for these incentive/rebate programs.

Comfort-Cire®  **Century**®

1900 Wellworth Avenue • Jackson, MI 49203 • 517-787-2100