

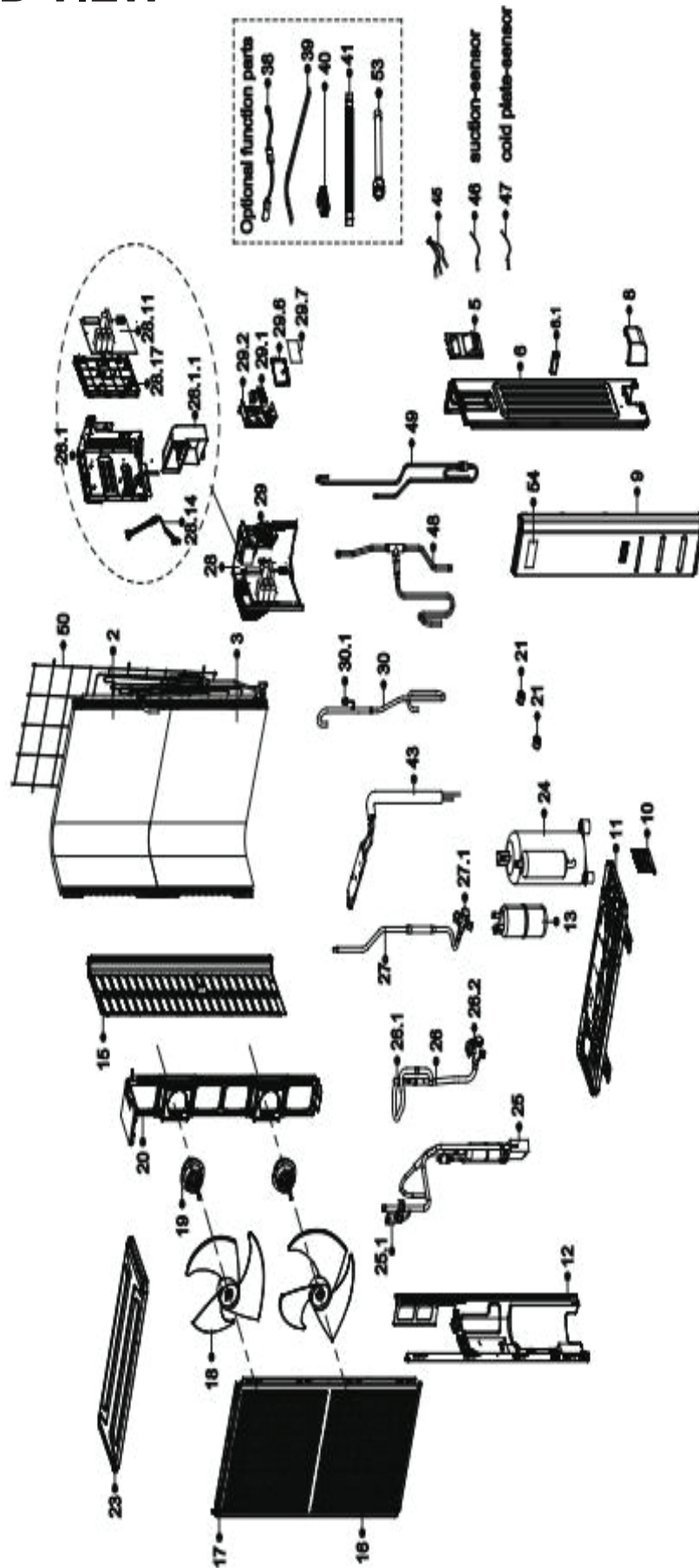


REPLACEMENT PARTS LIST

**Horizontal Discharge Condenser**

CXP1560SA-1

# EXPLODED VIEW



# REPLACEMENT PARTS

| Location | Part Name                                      | Quantity | Part No.       |
|----------|--|----------|----------------|
| 2        | Condenser assembly                             | 1.0      | 15822000011216 |
| 3        | Condenser assembly                             | 1.0      | 15822000014430 |
| 5        | Handle assembly                                | 1.0      | 12222000018396 |
| 6        | rear right side plate assembly                 | 1.0      | 12222000019916 |
| 6.1      | Handle   | 1.0      | 12100702000038 |
| 8        | Water collector                                | 1.0      | 12122000014023 |
| 9        | Front clapboard assembly                       | 1.0      | 12222000020285 |
| 10       | Valve plate                                    | 1.0      | 12222200002361 |
| 11       | Fixing plate on chassis                        | 1.0      | 12222000006290 |
| 12       | Partition board subassembly                    | 1.0      | 12222000005733 |
| 13       | accumulator cylinder                           | 1.0      | 15500508000009 |
| 15       | Left supporter                                 | 1.0      | 12222200002363 |
| 16       | Air outlet grille                              | 2.0      | 12222000014845 |
| 17       | Front panel                                    | 1.0      | 12222000007564 |
| 18       | axial flow fan                                 | 2.0      | 12100105000022 |
| 19       | Outdoor fan motor                              | 2.0      | 11002015009825 |
| 20       | Motor bracket assembly                         | 1.0      | 12222000006288 |
| 21       | Copper nut                                     | 1.0      | 15500406000010 |
| 21       | Copper nut                                     | 1.0      | 15500406000008 |
| 23       | Top cover assembly                             | 1.0      | 12222200008695 |
| 24       | compressor                                     | 1.0      | 11103020002859 |
| 25       | compressor discharge pipe subassembly          | 1.0      | 15122000037642 |
| 25.1     | Pressure switch                                | 1.0      | 17400516000851 |
| 26       | 4-ways valve or Gas valve assembly             | 1.0      | 15422000028642 |
| 26.1     | Pressure switch                                | 1.0      | 11201008000773 |
| 26.2     | Gas valve                                      | 1.0      | 15500204000662 |
| 27       | High pressure valve subassembly                | 1.0      | 15422000028643 |
| 27.1     | High pressure valve                            | 1.0      | 15500204000665 |
| 28       | Electronic control box subassembly             | 1.0      | 17222000047812 |
| 28.1     | Electrical installation plate assembly         | 1.0      | 12222000019348 |
| 28.1.1   | Air Duct                                       | 2.0      | 12122000020942 |
| 28.11    | Outdoor main control board subassembly         | 1.0      | 17122000068870 |
| 28.14    | compressor connection cable                    | 1.0      | 17401203000936 |
| 28.17    | Electronic installing box                      | 1.0      | 12122000032939 |
| 29       | Electronic control box terminal board assembly | 1.0      | 17222000047829 |
| 29.1     | Terminal block                                 | 1.0      | 17400401006516 |
| 29.2     | Terminal board assembly                        | 1.0      | 12222000019625 |
| 29.6     | Electronic installing box                      | 1.0      | 12122000035062 |
| 29.7     | Data Conversion Module Subassembly(□24V)       | 1.0      | 17122000068872 |
| 30       | compressor suction pipe subassembly            | 1.0      | 15122000037621 |
| 30.1     | Pressure switch                                | 1.0      | 17400516000850 |
| 38       | compressor electric heater                     | 1.0      | 17402001000979 |
| 43       | Radiator                                       | 1.0      | 15122000037630 |
| 45       | combination sensor                             | 1.0      | 11201011001207 |
| 46       | Outdoor pipe temperature sensor                | 1.0      | 11201007000136 |
| 47       | Outdoor pipe temperature sensor                | 1.0      | 11201007003445 |
| 48       | Distributor subassembly                        | 1.0      | 15122000029137 |
| 49       | Strainer subassembly                           | 1.0      | 15122000025003 |
| 50       | Rear Grille                                    | 1.0      | 12222000007944 |
| 53       | evaporator connecting pipe subassembly         | 1.0      | 15123000012968 |
| 53       | evaporator connecting pipe subassembly         | 1.0      | 15123000012948 |
| 54       | Outdoor unit trademark                         | 1.0      | 16000201001228 |

---

Due to ongoing product improvements, specifications and dimensions are subject to change and correction without notice or incurring obligations. Determining the application and suitability for use of any product is the responsibility of the installer. Additionally, the installer is responsible for verifying dimensional data on the actual product prior to beginning any installation preparations.

Incentive and rebate programs have precise requirements as to product performance and certification. All products meet applicable regulations in effect on date of manufacture; however, certifications are not necessarily granted for the life of a product. Therefore, it is the responsibility of the applicant to determine whether a specific model qualifies for these incentive/rebate programs.



1900 Wellworth Avenue • Jackson, MI 49203 • 517-787-2100