

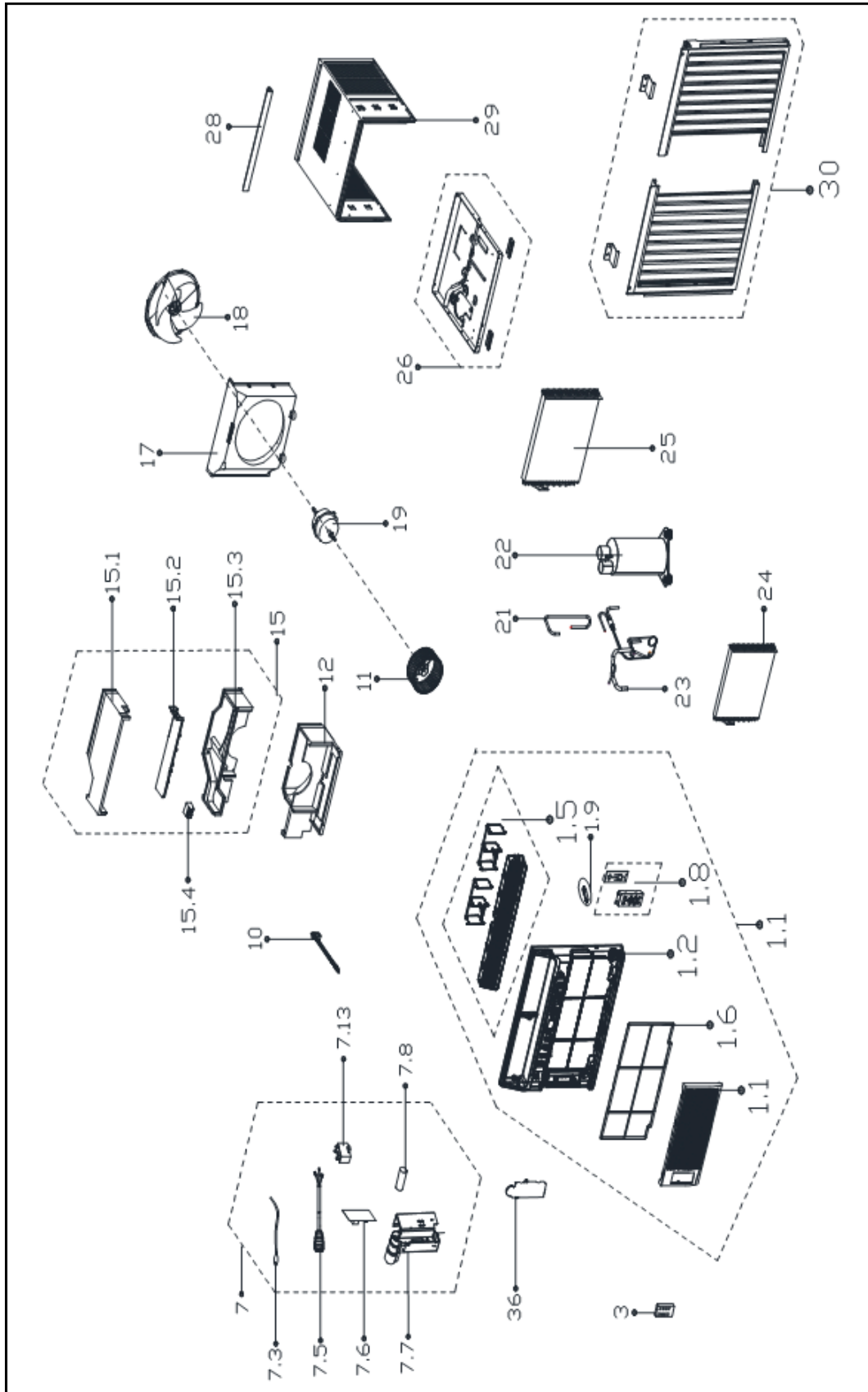


PARTS LIST

Room Air Conditioner

RADS-151R01

EXPLODED VIEW



REPLACEMENT PARTS

Location	Part Name	Quantity	Part No.
1	Front panel assembly	1	12120300A28990
1.1	Panel	1.0	12120300A21690
1.2	Panel frame assembly	1.0	12120300A21711
1.5	Air outlet assembly	1.0	12120300A25008
1.6	Air filter	1.0	12100204A00044
1.8	Display box subassembly	1.0	17220300A21167
1.9	WIFI module subassembly	1.0	17310900003164
3	Remote controller	1	17317000A59605
7	Electronic control box subassembly	1	17220300005170
7.3	Room Temperature Sensor	1.0	11201007003446
7.5	Power cord subassembly	1.0	17401202000109
7.6	Main control board subassembly	1.0	17120300003871
7.7	Electronic control box	1.0	12220300004518
7.8	Combination Capacitor	1.0	17400104000795
7.13	Combination Capacitor	1.0	17400104000795
10	Connecting rod of fresh air door	1	12120300004387
11	centrifuge fan	1	12100103000052
12	Volute shell subassembly(above)	1	12820300000399
15	Volute shell subassembly(above)	1	12820300A00155
15.1	Volute shell (above)	1.0	12820300000459
15.2	Wind baffle board	1.0	12120300A19607
15.3	Volute shell (middle)	1.0	12820300000499
15.4	Bracket of fresh air door	1.0	12120300003165
17	Rear barrier board subassembly	1	12120300004268
18	Axial flow fan	1	12100105000032
19	Single phase asynchronous motor	1	11002012010280
21	Suction pipe assembly	1	15120300006623
22	Fixed speed rotary compressor	1	11103010019595
23	Discharge pipe assembly	1	15120300003984
24	Evaporator Assembly	1	15820300003347
25	Condenser Assembly	1	15820300001467
26	Chassis assembly	1	12220300A01403
28	Top shutter frame subassembly	1	12220300003501
29	Cabinet assembly	1	12220300A01414
30	Installation Accessory	1	12020300000787
36	Cover of electronic control box	1	12220300001758

Due to ongoing product improvements, specifications and dimensions are subject to change and correction without notice or incurring obligations. Determining the application and suitability for use of any product is the responsibility of the installer. Additionally, the installer is responsible for verifying dimensional data on the actual product prior to beginning any installation preparations.

Incentive and rebate programs have precise requirements as to product performance and certification. All products meet applicable regulations in effect on date of manufacture; however, certifications are not necessarily granted for the life of a product. Therefore, it is the responsibility of the applicant to determine whether a specific model qualifies for these incentive/rebate programs.

Comfort-Aire®