

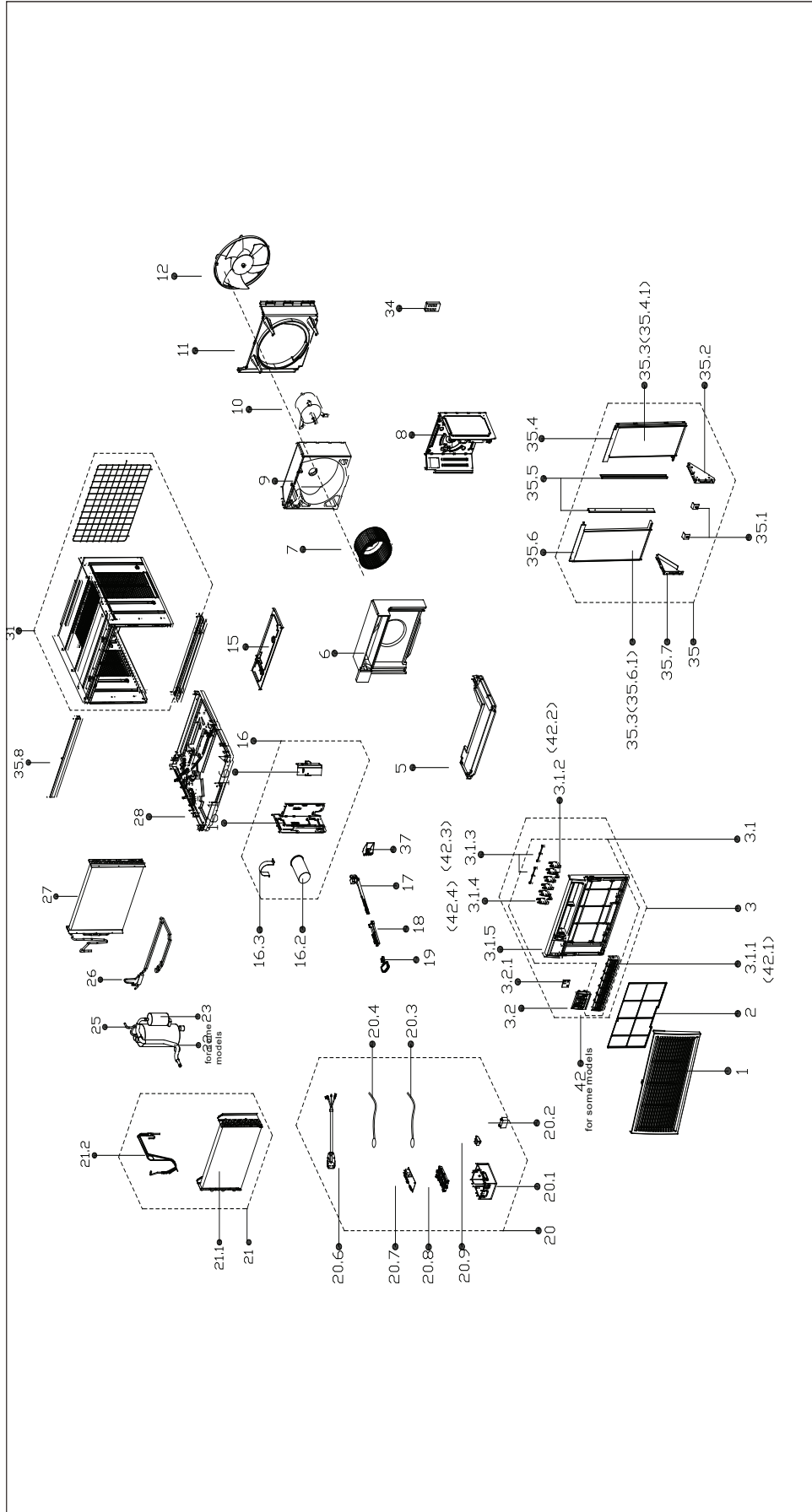


REPLACEMENT PARTS LIST

Room Air Conditioner

RADS-183S

EXPLODED VIEW



REPLACEMENT PARTS

Location	Part Name	Quantity	Part No.
1	Panel	1	12120300A22118
2	Air filter	1	12120300005605
3	Panel frame assembly	1	12120300A26370
3.1	Panel frame assembly	1	12120300A21969
3.1.5	Panel frame	1	12120300A21966
3.2	Display box subassembly	1	17220300A19009
3.2.1	Display board subassembly	1	17120300A04146
5	Condenser water tray	1	12820300000025
6	Foam, air outlet	1	12820300000136
7	centrifuge fan	1	12100103000010
8	Front barrier board	1	12220300000575
9	Rear volute shell	1	12820300000033
10	Single phase asynchronous motor	1	11002012010342
11	Rear barrier board subassembly	1	12120300005370
12	Axial flow fan	1	12100105000076
15	Front cover	1	12220300A01843
16	Front left barrier board subassembly	1	12220300004499
16.1	Front left barrier board subassembly	1	12220300001114
16.2	Capacitor of compressor	1	17400103000010
16.3	Capacitor clip	1	12200203000017
16.4	Electronic heater box	1	12220300000459
17	Connecting rod of fresh air door	1	12120300004304
18	Bracket of fresh air door	1	12120300005379
19	Connecting rod of fresh air door	1	12120300004305
20	Electronic control box subassembly	1	17220300A19089
20.1	Electronic control box	1	12220300002959
20.2	Fan motor capacitor	1	17400101A00486
20.3	Pipe Temperature Sensor	1	11201007003445
20.4	Room Temperature Sensor	1	11201007003446
20.6	Power cord subassembly of LCDI	1	17401202007327
20.7	Main control board subassembly	1	17120300A04244
20.8	Bracket of main control board	1	12120300003724
20.9	Linear Transformer	1	11203103000035
21	Evaporator assembly	1	15820300003322
21.1	Evaporator	1	15820300003283
21.2	Capillary subassembly	1	15120300006504
23	Fixed speed rotary compressor	1	11103010019555
25	Discharge pipe assembly	1	15120300006502
26	Cooling coil assembly	1	15120300001137
27	Condenser Assembly	1	15820300000561

Location	Part Name	Quantity	Part No.
28	Chassis assembly	1	12220300003549
31	Cabinet assembly	1	12220300003544
34	Remote controller	1	17317000A59734
35	Installation accessory	1	12020300000607
35.1	Installation Located Block	2	12220300000536
35.2	Right bracket	1	12220300003600
35.4	Window accordian subassembly	1	12120300004325
35.4.1	Shutter	1	12120300005204
35.5	Connecting bar of cabinet	2	12120300004326
35.6	Window accordian subassembly	1	12120300004327
35.6.1	Shutter	1	12120300005206
35.7	Left bracket	1	12220300003599
35.8	Top shutter frame	1	12220300003598
37	Bracket of fresh air door	1	12120300005367
42	Air outlet assembly	1	12120300A22112
43	WIFI module subassembly	1	17310900001961

Due to ongoing product improvements, specifications and dimensions are subject to change and correction without notice or incurring obligations. Determining the application and suitability for use of any product is the responsibility of the installer. Additionally, the installer is responsible for verifying dimensional data on the actual product prior to beginning any installation preparations.

Incentive and rebate programs have precise requirements as to product performance and certification. All products meet applicable regulations in effect on date of manufacture; however, certifications are not necessarily granted for the life of a product. Therefore, it is the responsibility of the applicant to determine whether a specific model qualifies for these incentive/rebate programs.

Comfort-Cire[®]