

---

*Comfort-Aire*®

**Century**®

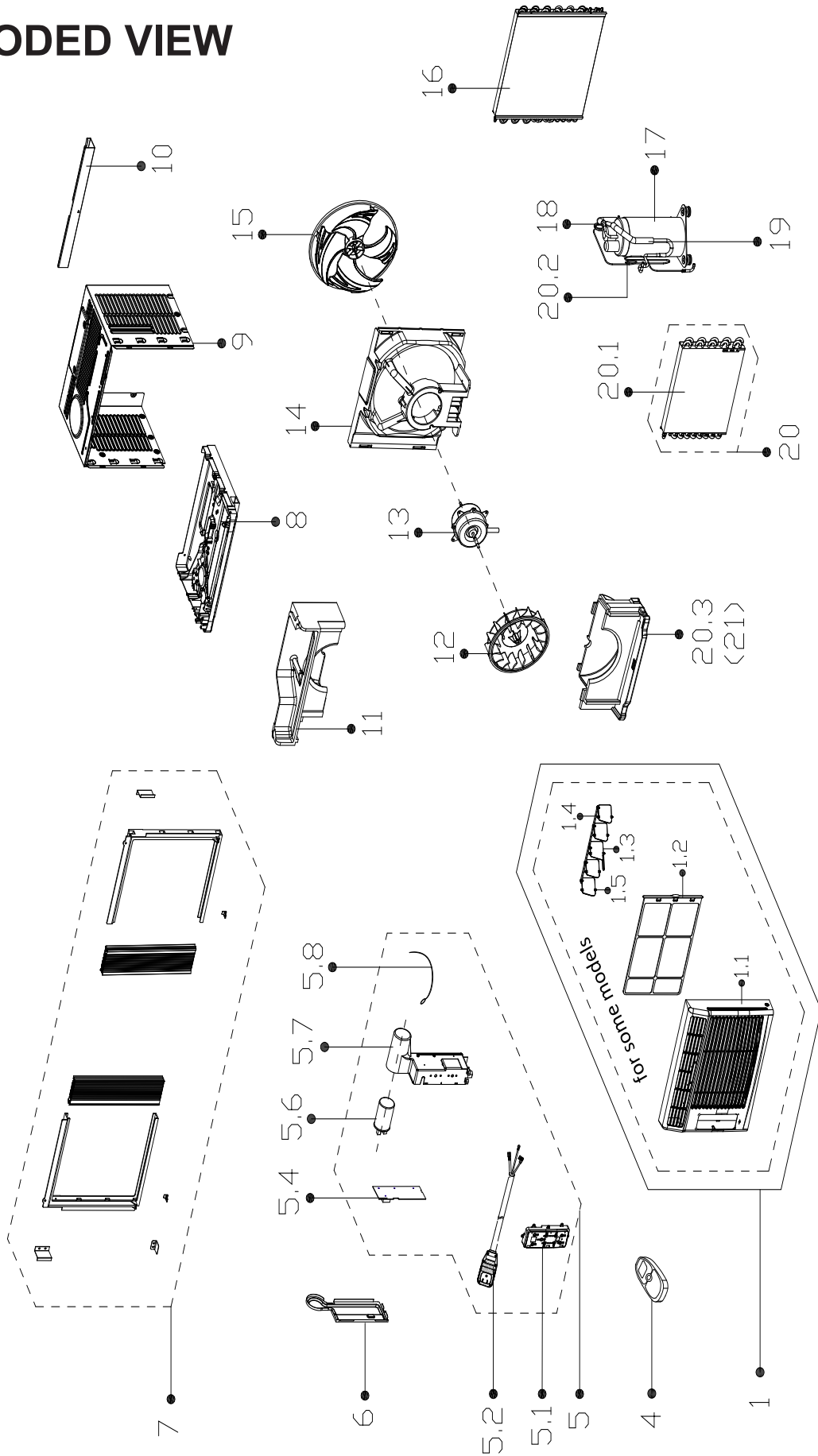
---

REPLACEMENT PARTS LIST

**Room Air Conditioner**

RADS-51Q

# EXPLODED VIEW



## REPLACEMENT PARTS

Location	Part Name	Quantity	Part No.
1	Front panel assembly	1	12120300A22115
1.1	Panel subassembly	1	12120300A21636
4	Remote controller	1	17317000A01189
5	Electronic control box subassembly	1	17220300A15411
5.1	Display box subassembly	1	17220300A15410
5.2	Power cord subassembly	1	17401202000230
5.4	Main control board subassembly	1	17120300003509
5.6	Capacitor of compressor	1	17400104000015
5.7	Electronic control box subassembly	1	12220300003558
5.8	Room temperature sensor	1	11201007003446
6	Cover of electronic control box	1	12220300000485
7	Installation accessory	1	12020300000507
8	Chassis assembly	1	12220300003460
9	Cabinet assembly	1	12220300003458
10	Top shutter frame subassembly	1	12220300003459
11	Volute shell subassembly (above)	1	12820300000540
12	Centrifugal fan	1	12100103000884
13	Single phase asynchronous motor	1	11002012032135
14	Fan housing	1	12120300004244
15	Axial flow fan	1	12100105000781
16	Condenser assembly	1	15820300002673
17	Fixed Speed Rotary Compressor	1	11103010015533
18	Discharge pipe assembly	1	15120300005851
19	Suction pipe	1	15120300004782
20	Evaporator assembly	1	15820300002675
20.1	Evaporator	1	15820300002722
20.2	Capillary subassembly	1	15120300005663
20.3	Volute shell subassembly (above)	1	12820300000539

---

Due to ongoing product improvements, specifications and dimensions are subject to change and correction without notice or incurring obligations. Determining the application and suitability for use of any product is the responsibility of the installer. Additionally, the installer is responsible for verifying dimensional data on the actual product prior to beginning any installation preparations.

Incentive and rebate programs have precise requirements as to product performance and certification. All products meet applicable regulations in effect on date of manufacture; however, certifications are not necessarily granted for the life of a product. Therefore, it is the responsibility of the applicant to determine whether a specific model qualifies for these incentive/rebate programs.

*Comfort-Cire*®  **Century**®