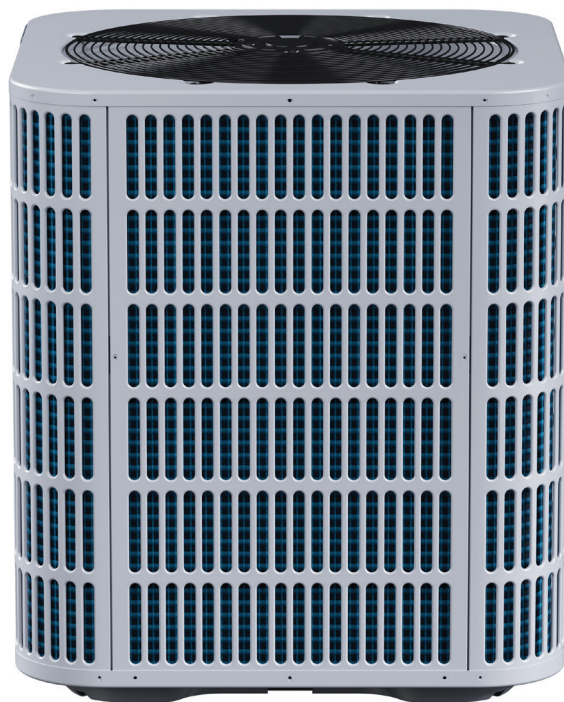

Comfort-Care® **Century**®

SE Series

Split System Air Conditioner

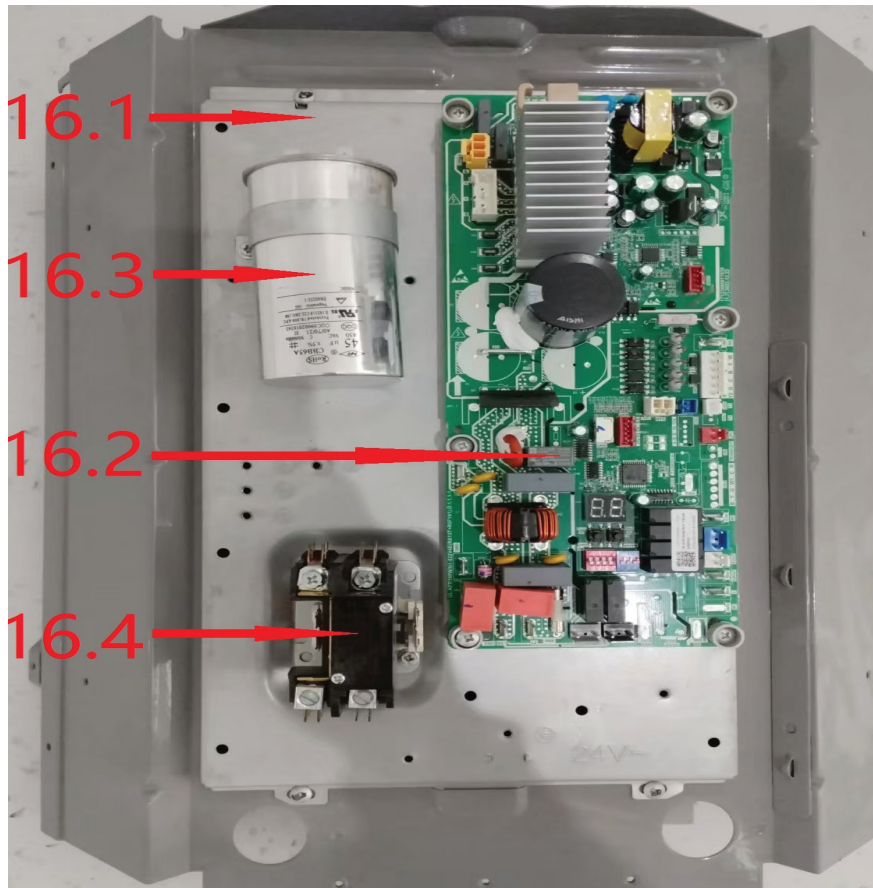
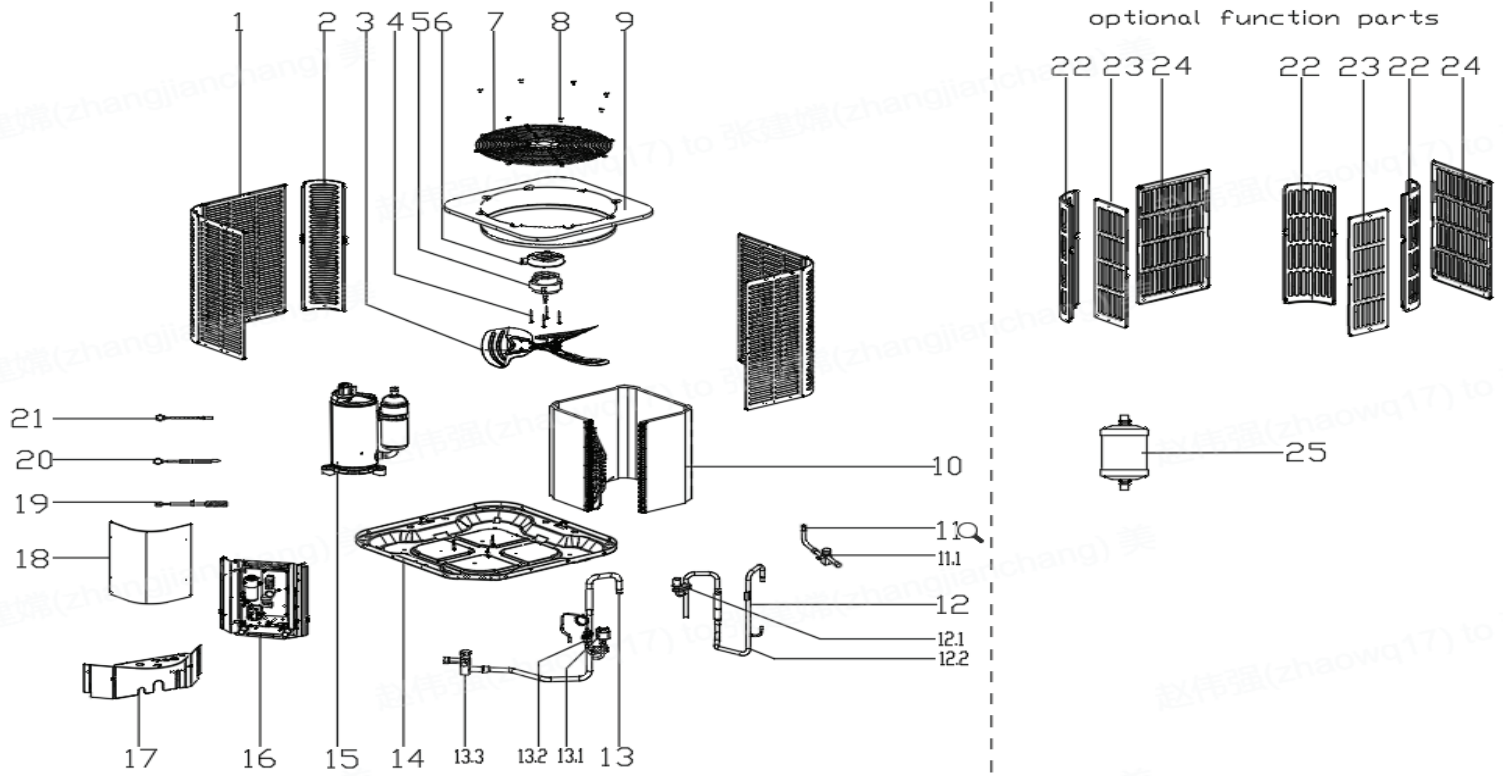
SAC1436S1A

Parts List



SAC1436S1A Parts List

Split System Air Conditioner



EX_ID	Spare Parts Code	Part Name(EN)	Qty.
1	12223000A02469	Side panel assembly	2
1	12223000A02470	Side panel assembly	2
2	12223000A02329	Support Plate	3
3	12200104000038	Axial Flow Fan	1
4	11301805000012	Motor Mounting Bolt	4
5	11002015020572	Brushless DC Motor	1
6	12123000000464	Motor Mounting Plate	1
7	12227700003729	Grille	1
8	11301002000001	Hexagon Head Bolt And Washer	8
9	12223000001094	Top Cover Assembly	1
10	15823000000263	Condenser Assembly	1
11	15423000003178	High Pressure Valve Assembly	1
11.1	15500206000018	Bar-Stock Service Valve	1
12	15423000006183	Discharge pipe assembly	1
12.1	17400516001309	Pressure switch	1
13	15423000000580	Gas Valve Assembly	1
13.1	15500206000026	Bar-Stock Service Valve	1
14	12223000005894	Chassis Assembly	1
15	11102010002105	Fixed Speed Scroll compressor	1
16	17223000011017	E-part box assembly	1
16.1	12223000018130	Installation plate of electric parts subassembly	1
16.2	17123000011980	Outdoor Main Control Board Assembly	1
16.3	17400103000150	Compressor Capacitor	1
16.4	11203502000032	AC Contactor	1
17	12223000016089	Side Panel Assembly	1
18	12223000A05994	Side Panel Assembly	1
19	17400513006835	Discharge Temperature switch	1
20	11201007003446	Room Temperature Sensor	1
21	11201007005723	Pipe Temperature Sensor	1
22	15500504000075	Dry Filter	1
25	15500504000075	Dry Filter	1

Due to ongoing product improvements, specifications and dimensions are subject to change and correction without notice or incurring obligations. Determining the application and suitability for use of any product is the responsibility of the installer. Additionally, the installer is responsible for verifying dimensional data on the actual product prior to beginning any installation preparations.

Incentive and rebate programs have precise requirements as to product performance and certification. All products meet applicable regulations in effect on date of manufacture; however, certifications are not necessarily granted for the life of a product. Therefore, it is the responsibility of the applicant to determine whether a specific model qualifies for these incentive/rebate programs.



1900 Wellworth Avenue • Jackson, MI 49203 • 517-787-2100