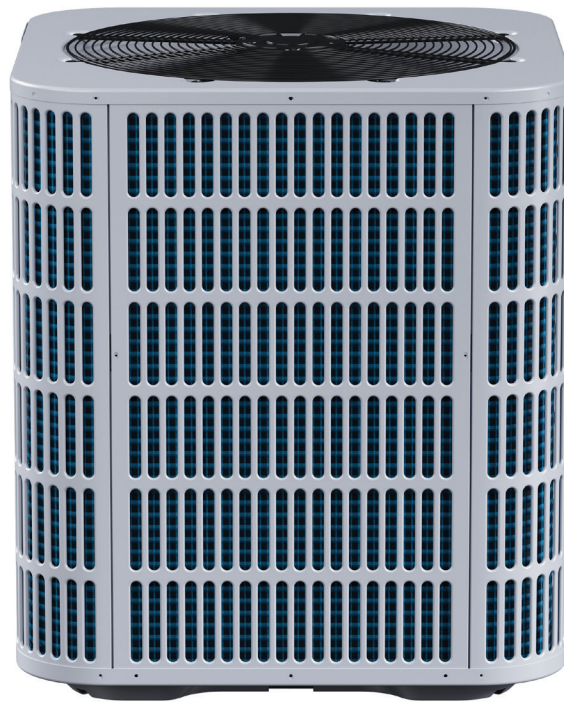




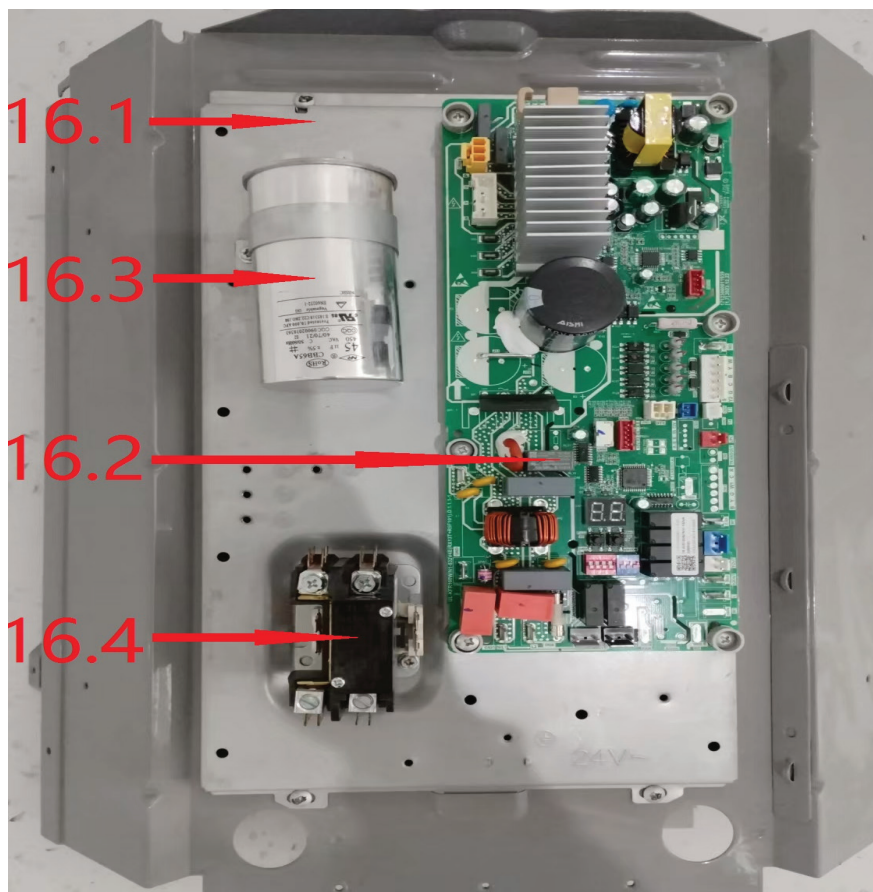
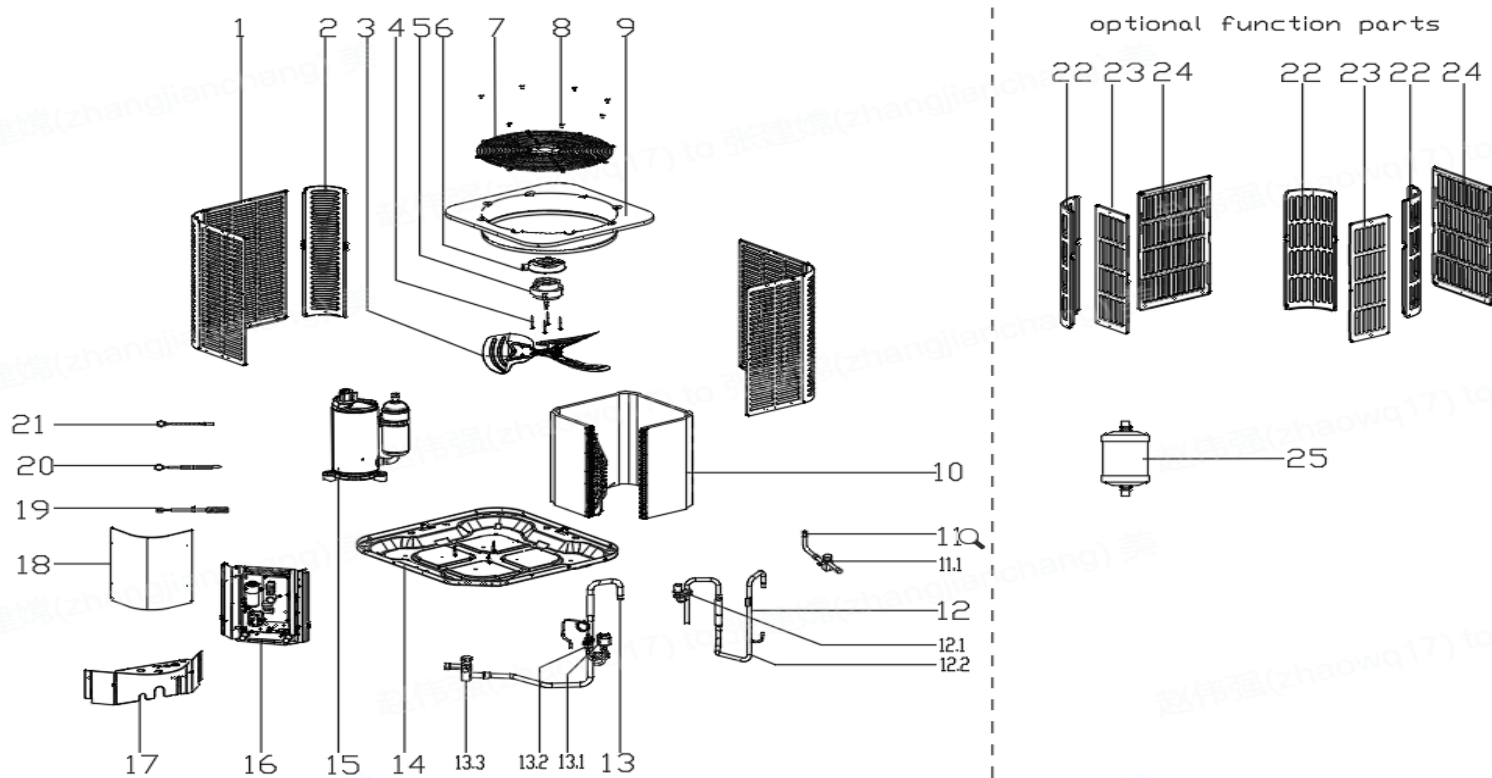
Split System Air Conditioner

SAC1448S1A
Parts List



SAC1448S1A Parts List

Split System Air Conditioner



| EX_ID | Spare Parts Code | Part Name(EN) | Qty. |
|-------|------------------|--|------|
| 1 | 12223000A03410 | Side panel assembly | 2 |
| 1 | 12223000A03411 | Side panel assembly | 2 |
| 1 | 12223000002572 | Side panel assembly | 3 |
| 3 | 12200104000032 | Axial Flow Fan | 1 |
| 4 | 11301805000012 | Motor Mounting Bolt | 4 |
| 5 | 11002015020572 | Brushless DC Motor | 1 |
| 6 | 12123000000464 | Motor Mounting Plate | 1 |
| 7 | 12923000000028 | Grille | 1 |
| 8 | 11301002000001 | Hexagon Head Bolt And Washer | 8 |
| 9 | 12223000001097 | Top Cover Assembly | 1 |
| 10 | 15823000000265 | Condenser Assembly | 1 |
| 11 | 15423000003178 | High Pressure Valve Assembly | 1 |
| 11.1 | 15500206000018 | Bar-Stock Service Valve | 1 |
| 12 | 15423000006187 | Discharge pipe ass'y | 1 |
| 12.1 | 17400516001309 | Pressure switch | 1 |
| 13 | 15423000006185 | Stop valve ass'y | 1 |
| 13.1 | 15500206000017 | Bar-Stock Service Valve | 1 |
| 14 | 12223000005895 | Chassis Assembly | 1 |
| 15 | 11102010002100 | Fixed Speed Scroll compressor | 1 |
| 16 | 17223000011018 | E-part box assembly | 1 |
| 16.1 | 12223000018130 | Installation plate of electric parts subassembly | 1 |
| 16.2 | 17123000011980 | Outdoor Main Control Board Assembly | 1 |
| 16.3 | 17400103000133 | Compressor Capacitor | 1 |
| 16.4 | 11203502000032 | AC Contactor | 1 |
| 17 | 12223000016090 | Side Panel Assembly | 1 |
| 18 | 12223000A05994 | Side Panel Assembly | 1 |
| 19 | 17400513006835 | Discharge Temperature switch | 1 |
| 20 | 11201007003446 | Room Temperature Sensor | 1 |
| 21 | 11201007005723 | Pipe Temperature Sensor | 1 |
| 22 | 15500504000075 | Dry Filter | 1 |
| 25 | 15500504000075 | Dry Filter | 1 |

Due to ongoing product improvements, specifications and dimensions are subject to change and correction without notice or incurring obligations. Determining the application and suitability for use of any product is the responsibility of the installer. Additionally, the installer is responsible for verifying dimensional data on the actual product prior to beginning any installation preparations.

Incentive and rebate programs have precise requirements as to product performance and certification. All products meet applicable regulations in effect on date of manufacture; however, certifications are not necessarily granted for the life of a product. Therefore, it is the responsibility of the applicant to determine whether a specific model qualifies for these incentive/rebate programs.



1900 Wellworth Avenue • Jackson, MI 49203 • 517-787-2100