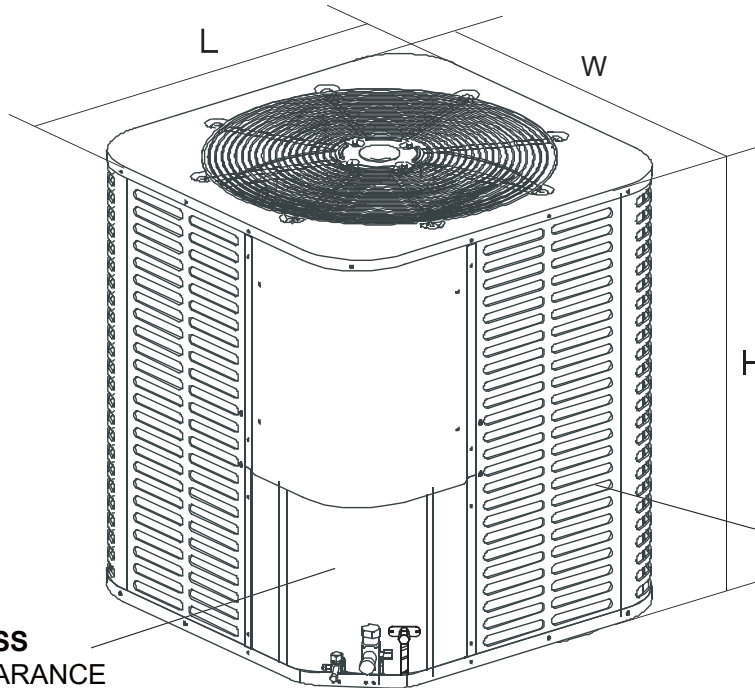


# Submittal

## RSA1530S1A - Split System Air Conditioner



**SERVICE ACCESS**  
ALLOW 24" CLEARANCE

**AIR INLETS**  
LOUVERED PANELS  
ALLOW 12"  
MINIMUM  
CLEARANCE

**NOTE:** GRILL APPEARANCE  
MAY VARY.

POWER WIRING  
7/8" (22.2mm)

CONTROL WIRING  
7/8" (22.2mm)

ACCESS VALVE  
FOR LOW PRESSURE

NOTE:  
ONLY ADOPTED BY HEAT PUMP,  
CAN BE USED FOR MEASURING  
PRESSURE AFTER SWITCHOVER  
VALVE-SUCTION TO COMPRESSOR OR  
REFRIGERANT CHARGE.

SERVICE  
FITTING

LIQUID LINE  
CONNECTION

SUCTION LINE  
CONNECTION

SERVICE  
FITTING

*Note: All dimensions are in mm/inches.*

RSA1530S1A	H	W	L	Liquid Valve Size	Gas Valve Size
	843(33-3/16)	710 (28)	710 (28)	3/8	3/4

## PRODUCT SPECIFICATIONS:

<b>MODEL</b>	<b>RSA1530S1A</b>
Power Conns. — V/Ph/Hz	208-230/1/60
Min. Brch. Cir. Ampacity	15.8
Br. Cir. Prot. RTG. — Max. (Amps)	25
<b>Compressor</b>	Rotary
No. Used - No. Speeds	1 - 1
Volts/Ph/Hz	208-230/1/60
R.L. Amps - L.R. Amps	11.4- 58
Factory Installed	
Start Components	No
Insulation/Sound Blanket	No
Compressor Heat	No
<b>Outdoor Fan/Motor</b>	Propeller/ECM
Dia. (In.) - No. Used	23-1/16 - 1
Type Drive - No. Speeds	External - 10
CFM @ 0.0 In. W.G.	3000
No. Motors — H.P.	1 - 1/6
Motor Speeds R.P.M.	850
Volts/Ph/Hz	208-230/1/60
F.L. Amps	1.6
<b>Outdoor Coil — Type</b>	Plate Fin
Rows - F.P.I.	2 - 21
Face Area (Sq. Ft.)	17.4
Tube Size (In.)	3/16
<b>Refrigerant</b>	R-410A
lbs. — R-410 (O.D. Unit)	7 lbs -5 Oz
Factory Supplied	Yes
Line Size - In. O.D. Gas	3/4
Line Size - In. O.D. Liq.	3/8
<b>Charging Specification Superheat</b>	9° F
<b>DIMENSIONS</b>	H x W x D
Crated (In.)	38-1/5x 29-1/10 x 29-1/10
Shipping (Lbs.) / Net (Lbs.)	183/156



# Submittal

## RSA1530S1A

### STANDARD FEATURES:

- R410A chlorine-free refrigerant
- Energy-efficient compressor
- Internal protection against high temperature motor overload conditions
- High quality copper tube and aluminum fin condenser
- Service valves with sweat connections and easy-access gauge ports
- Factory-installed high pressure switch and low pressure switch
- AHRI certified and ETL listed
- Filter drier included

### CABINET FEATURES:

- Unique top design for sound control
- Compact design, easy installation, and transportation
- Powder-coated galvanized steel cabinet
- Wire fan grille
- Steel louver coil guard