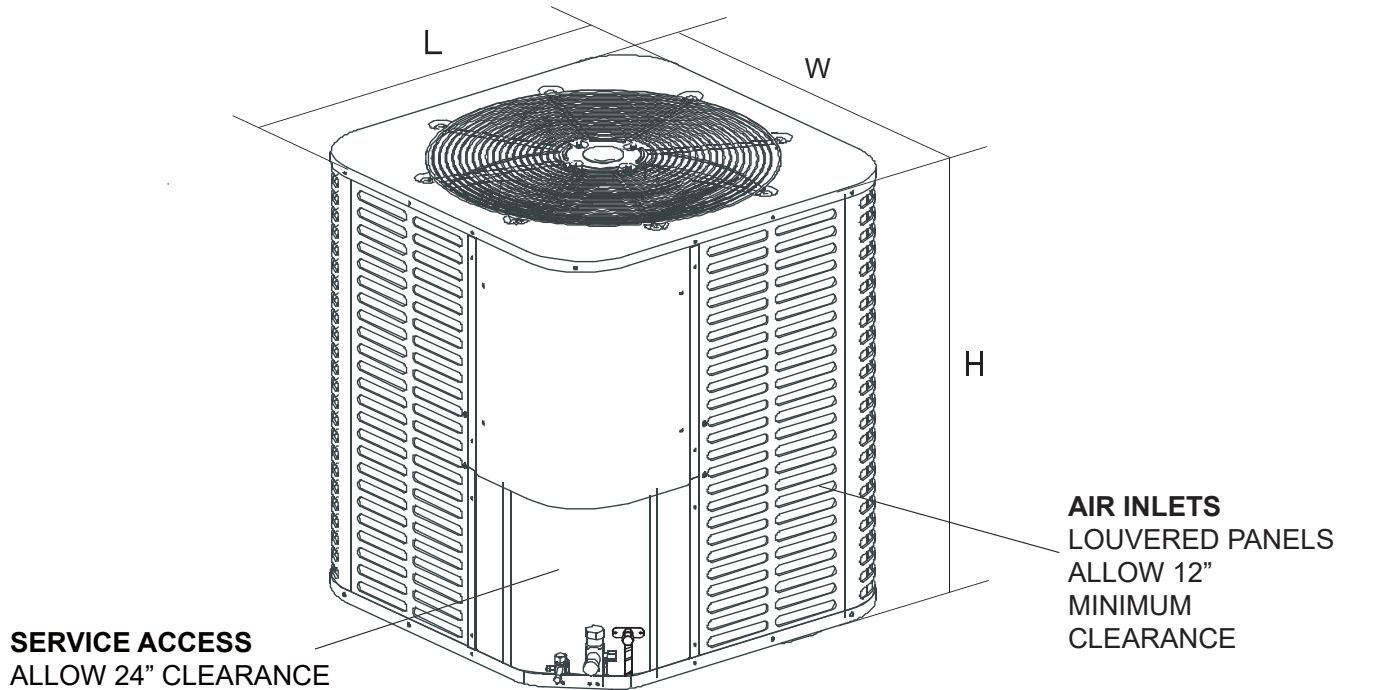
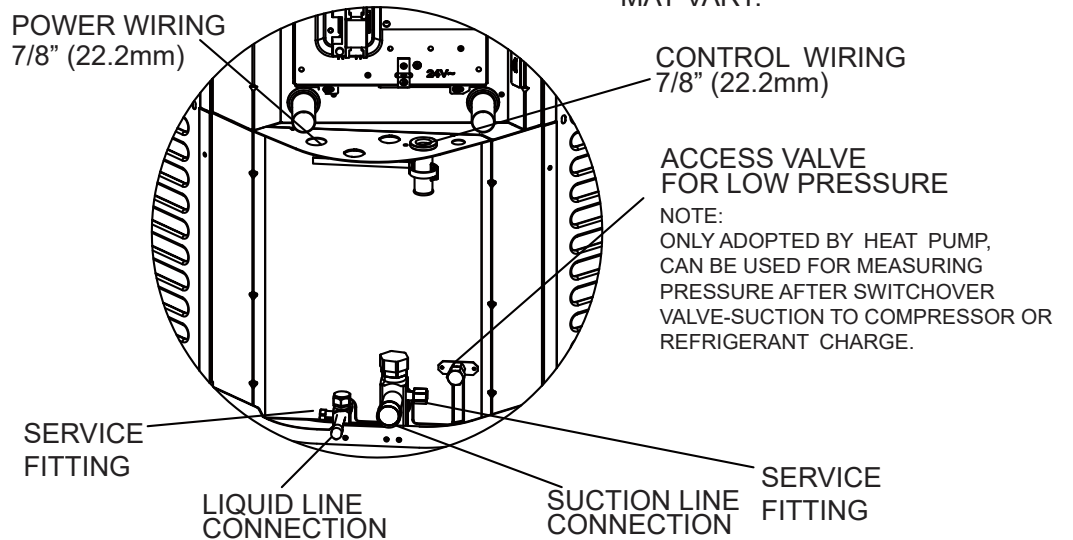


# Submittal

## RSA1560S1A - Split System Air Conditioner



**NOTE:** GRILL APPEARANCE  
MAY VARY.



Note: All dimensions are in mm/inches.

RSA1560S1A	H	W	L	Liquid Valve Size	Gas Valve Size
	843 (33-3/16)	740 (29-1/8)	740 (29-1/8)	3/8	7/8

## PRODUCT SPECIFICATIONS:

<b>MODEL</b>	<b>RSA1560S1A</b>
Power Conns. — V/Ph/Hz	208-230/1/60
Min. Brch. Cir. Ampacity	28
Br. Cir. Prot. RTG. — Max. (Amps)	45
<b>Compressor</b>	Scroll
No. Used - No. Speeds	1 - 1
Volts/Ph/Hz	208-230/1/60
R.L. Amps - L.R. Amps	26.3 - 127
Factory Installed	
Start Components	No
Insulation/Sound Blanket	No
Compressor Heat	No
<b>Outdoor Fan/Motor</b>	Propeller/ECM
Dia. (In.) - No. Used	23-5/8 - 1
Type Drive - No. Speeds	External - 10
CFM @ 0.0 In. W.G.	3800
No. Motors — H.P.	1 - 1/3
Motor Speeds R.P.M.	1050
Volts/Ph/Hz	208-230/1/60
F.L. Amps	2.2
<b>Outdoor Coil — Type</b>	Micro Channel
Rows - F.P.I.	1- Micro Channel
Face Area (Sq. Ft.)	18.4
Tube Size (In.)	Micro Channel
<b>Refrigerant</b>	R-410A
lbs. — R-410 (O.D. Unit)	7 lbs -14 Oz
Factory Supplied	Yes
Line Size - In. O.D. Gas	1-1/8
Line Size - In. O.D. Liq.	3/8
<b>Charging Specification Superheat</b>	9° F
<b>DIMENSIONS</b>	H x W x D
Crated (In.)	38-1/5x 30-1/5 x 30-1/5
Shipping (Lbs.) / Net (Lbs.)	220/194



# Submittal

## RSA1560S1A

### STANDARD FEATURES:

- R410A chlorine-free refrigerant
- Energy-efficient compressor
- Internal protection against high temperature motor overload conditions
- High quality copper tube and aluminum fin condenser
- Service valves with sweat connections and easy-access gauge ports
- Factory-installed high pressure switch and low pressure switch
- AHRI certified and ETL listed
- Filter drier included

### CABINET FEATURES:

- Unique top design for sound control
- Compact design, easy installation, and transportation
- Powder-coated galvanized steel cabinet
- Wire fan grille
- Steel louver coil guard